



# PARTS CATALOG

Published

2009/8 (Aug.)

---

0CNP3-G97000

## Directions for the Parts Catalog.

1. The parts stipulated in this Parts Catalog are not necessarily standard equipped parts.
2. Parts may change without prior notice.
3. The following is an example of the Parts Catalog format.

REF.	LEV.	PARTS NO.	DESCRIPTION	Q'TY						I	R
				(A)	(B)	(C)	(D)	(E)	(F)		
1	1	729595-51390	FUEL INJECTION PUMP	1	1	1	1	1			1
1-1	1	729595-51391	FUEL INJECTION PUMP	1	1	1	1	1		N	1
		(A=E00185) (B=E00200)									
3	2	26022-060162	SCREW M 6X 16	9	9	9	9	9			
3-1	2	26022-060162	SCREW M 6X 16	4	4	4	4	4		K	
		(A=E00156) (B=E00156) (C=E00156) (D=E00156) (E=E00156)									
4	2	129470-51040	CAMSHAFT	1	1	1	1	1			
5	2	122710-51050	BEARING, ROLLER	2	2	2	2	2			
6	2	129470-51060	RETAINER	1	1	1	1	1			

Remarks
(1) BOOST COMPEMSATOR TYPE. OPTIONAL PART, TO E00155,(4JH-DT, 4JH-DTZ

### ① Ref. No.

The Ref. No. listed may not be in accordance with the illustration Ref. No.

(Ex.) Illustration No.

List Ref No.

1

1

(Before change)

1-1

(After change)

For interchangeable symbols N, R and K, illustrations for new parts may be abbreviated.

### ② Lev. (Level)

Level indication

The numbers below indicate the level of relativity towards the main part.

1 ----- Main parts (Assembly parts)

2 ----- Sub component included in " 1 ".

3 ----- Sub component included in " 2 ".

Note) Parts that are not for sale are partially illustrated but not listed.

### ③ Interchangeability Mark

When a part change takes place, one of the following interchangeability symbols is indicated beside the part.

Symbol	Interchangeability	Contents note
N	Old $\begin{matrix} \leftarrow \text{Yes} \\ \text{No} \rightarrow \end{matrix}$ New	New Part is interchangeable for Old Part but Old Part is not interchangeable for New Part.
Q	Old $\begin{matrix} \leftarrow \text{No} \\ \text{Yes} \rightarrow \end{matrix}$ New	New Part is not interchangeable for Old Part but Old Part is interchangeable for New Part.
R	Old $\begin{matrix} \leftarrow \text{Yes} \\ \text{Yes} \rightarrow \end{matrix}$ New	New/ Old Parts are both interchangeable.
S	Old $\begin{matrix} \leftarrow \text{No} \\ \text{No} \rightarrow \end{matrix}$ New	New/ Old Parts are both not interchangeable.
W		Part discontinued.
Z		Part newly added.
F		Not interchangeable by a single part but interchangeable together with related parts.
K		Changes only for used parts quantities.

### ④ Effective Machine No.

When a part changes, the effective Machine No. will be indicated in the (A)-(F) column.

Product Symbol	Product No.	Product Symbol	Product No.
C	Clutch No. Compressor No.	F	Machine No. (Agricultural Equip.)
D	Drive No.	M	Machine No.
E	Engine No.	Note 1)	Date

Note 1) A date may follow the symbol. (Ex.) 1996.01

Note 2) " XXX " are for parts that could not be predicted or for engine models that could not be identified.

Note 3) (A=E00185) is the E (Engine Serial Number) for the column (A) model (in this case 4JH-DT) after the parts design change.

### ⑤ Remarks Mark

Figures or alphabets (symbols) are entered in the remarks column.

The comments (remarks) on parts that are indicated at the bottom of the illustration are the same symbols as those stated above.

# CONTENTS

MODEL : KE-140.KE-160(  
PC NO : 0CNP3-G97000

Fig.No. GROUP NAME

## ENGINE UNIT

1. CYLINDER BLOCK
2. GEAR HOUSING
3. MOUNTING FLANGE & OIL SUMP
4. CYLINDER HEAD & BONNET
5. SUCTION MANIFOLD & AIR CREANER
6. EXHAUST MANIFOLD & SILENCER
7. CAMSHAFT & DRIVING GEAR
8. CRANKSHAFT & PISTON
9. HYDRAULIC PUMP
10. LUBRICATION OIL SYSTEM
11. COOLING WATER SYSTEM
12. FUEL OIL INJECTION PUMP
13. GOVENOR
14. FUEL OIL INJECTION VALVE
15. STARTING MOTOR
16. GENERATOR

## ENGINE CONTROL UNIT

17. ENGINE ACCESSORIES
18. ACCEL LEVER
75. ACCEL LEVER(ADD.
19. FUEL TANK
76. FUEL TANK(ADD.
20. SIDE COVER

## FRONT AXLE SECTION

21. FRONT BRACKET
22. TIE ROD
77. TIE ROD(ADD.

Fig.No. GROUP NAME

23. DRIVE PINION
24. PROPELLER SHAFT
25. FRONT AXLE CASE
78. FRONT AXLE CASE(ADD.
26. FRONT GEAR CASE
79. FRONT GEAR CASE(ADD.
27. FRONT SHAFT(2
28. INPUT SHAFT
29. FRONT SPINDLE
30. FRONT WHEEL TIRE
80. FRONT WHEEL TIRE(ADD.
31. STEERING GEAR
32. DRAG ROD
81. P.S.T VALVE(ADD.
82. P.S.T CYLINDER(ADD.
83. P.S.T PIPING(ADD.
84. FLOW DEVIDER(ADD.

## TRANSMISSION UNIT

33. CLUTCH HOUSING
85. CLUTCH HOUSING(ADD.
34. CLUTCH PEDAL
35. TRANSMISSION CASE
36. INPUT SHAFT
37. MAIN SHAFT
38. COUNTER SHAFT
39. P.T.O DRIVE SHAFT
40. MAIN CHANGE
86. MAIN CHANGE(ADD.
41. SUB CHANGE

# CONTENTS

MODEL : KE-140.KE-160(  
PC NO : 0CNP3-G97000

Fig.No. GROUP NAME

- 87. SUB CHANGE(ADD.
- 42. P.T.O CHANGE
- 88. P.T.O CHANGE(ADD.

## REAR AXLE SECTION

- 43. RING GEAR & DIFFERENTIAL GEAR
- 44. REAR HOUSING
- 45. DIFFERENTIAL LOCK
- 46. FINAL PINION & FINAL GEAR
- 47. REAR WHEEL TIRE
- 89. REAR WHEEL TIRE(ADD.
- 48. BRAKE
- 49. BRAKE PEDAL
- 50. PARKING BRAKE

## HYDRAULIC CONTROL.UN

- 51. HYDRAULIC CYLINDER CASE
- 52. HYDRAULIC SIDE COVER
- 53. PISTON & LIFT CRANK
- 54. CONTROL VALVE
- 55. VALVE(RELIEF,STOP,SAFETY)
- 56. HYDRAULIC CONTROL
- 90. HYDRAULIC CONTROL(ADD.
- 57. HYDRAULIC PIPING
- 91. HYDRAULIC PIPING(ADD.

## ELECTRICAL PARTS SEC

- 58. WIRE HARNESS
- 59. BATTERY & SWITCHES
- 60. LAMPS & HORN

Fig.No. GROUP NAME

- 61. METER

## FITTING SECTION

- 62. BONNET
- 63. DASHBOARD
- 92. DASH BORD(ADD.
- 64. FENDER
- 65. STEP
- 66. SEAT
- 67. BACK MIRROR
- 68. LABEL
- 93. LABEL(ADD.
- 69. LABEL(SAFETY
- 94. LABEL(SAFETY(ADD.

## HITCH SECTION

- 70. REAR HITCH
- 71. THREE POINT HITCH
- 72. DRAW BAR HITCH

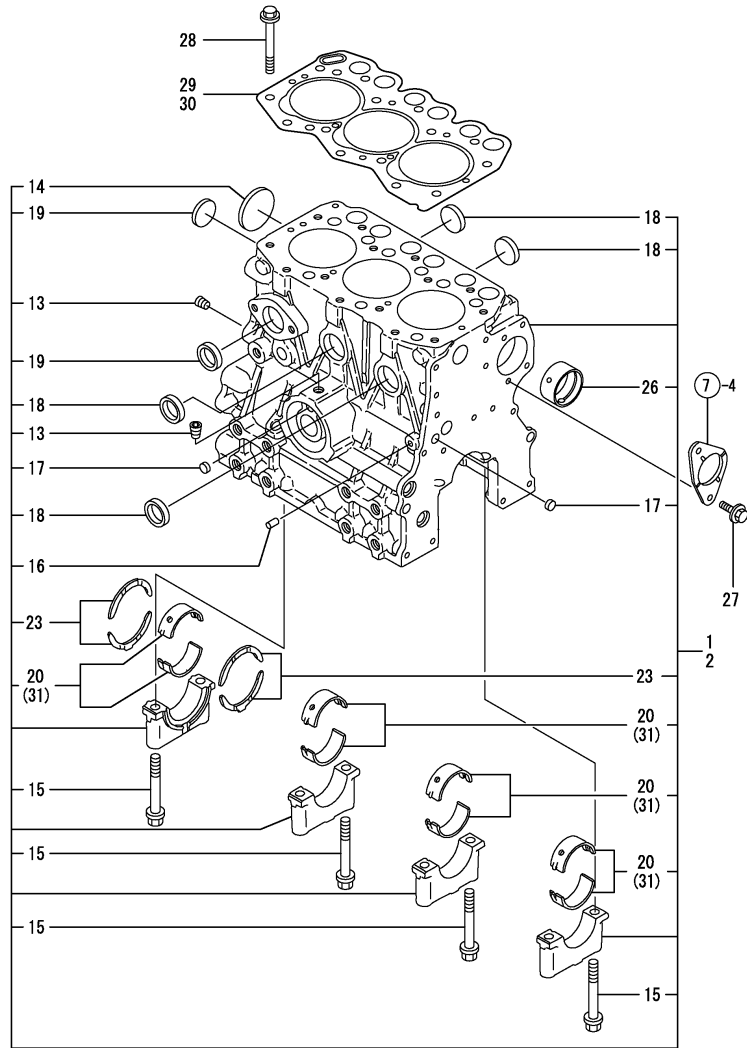
## SAFETY FRAME SECTION

- 73. ROPS

## OPTIONAL PARTS UNIT

- 74. OPTION
- 95. OPTION(TURF TIRE(ADD.
- 96. OPTION(WEIGHT(ADD.

Fig.1. CYLINDER BLOCK



0CNP3-G97000 1. CYLINDER BLOCK

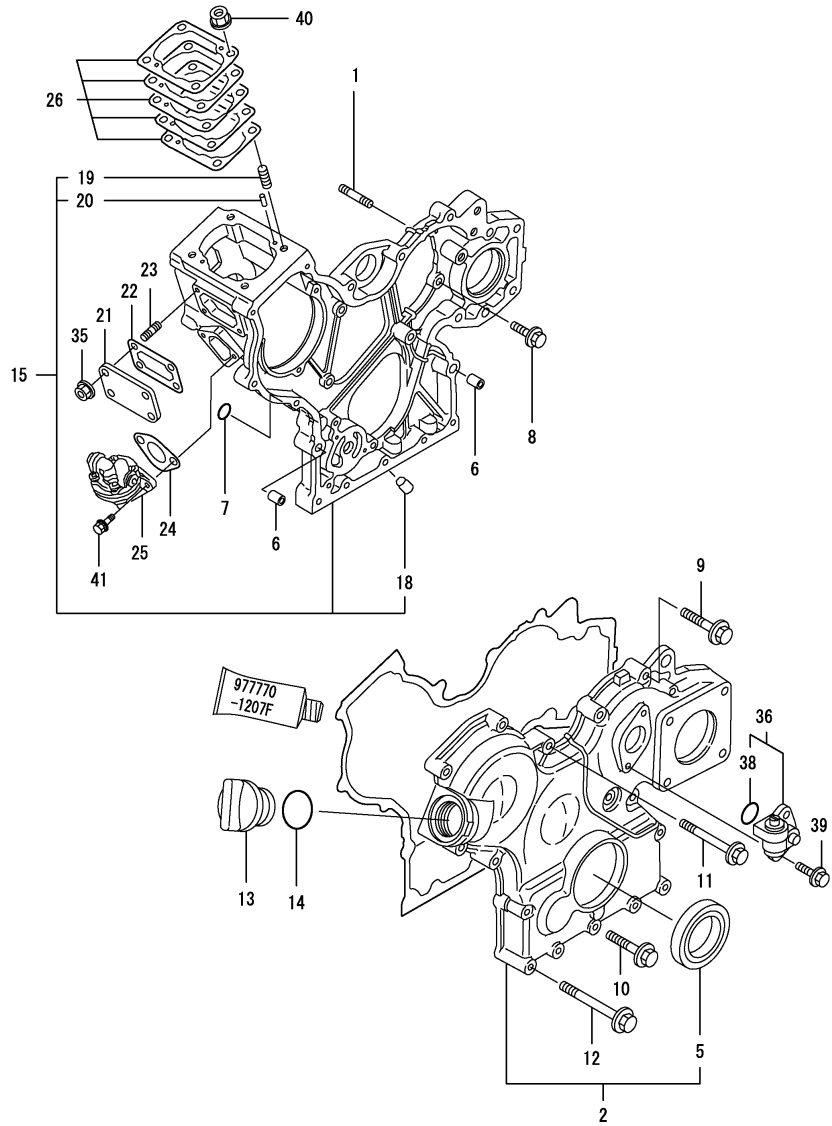
(A)=3TN66-UTR  
(B)=3TNE68-UTR  
(C)=

(D)=  
(E)=  
(F)=

REF.	LEV.	PARTS NO.	DESCRIPTION	QTY						I	R
				(A)	(B)	(C)	(D)	(E)	(F)		
1	1	719270-01560	BLOCK ASSY, CYLINDER	1							
2	1	719265-01560	BLOCK ASSY, CYLINDER		1						
13	2	124060-01050	PLUG PT1/8	2	2						
14	2	119265-01250	PLUG 40	1	1						
15	2	119260-02020	BOLT	8	8						
16	2	27221-060100	PLUG 6X10	1	1						
17	2	27241-100000	PLUG 10	2	2						
18	2	27241-250000	PLUG 25	4	4						
19	2	27241-300000	PLUG 30	2	2						
20	2	119260-02800	MAIN BEARING	4	4						
23	2	119260-02930	THRUST BEARING	2	2						
26	2	119266-02410	BUSH	1	1						
27	1	26106-060122	BOLT M 6X 12 PLATED	2	2						
28	1	119266-01200	STUD, CYL. HEAD	14	14						
29	1	119225-01340	GASKET, (NON-ASB.)	1							
30	1	119265-01341	GASKET, CYL. HEAD		1						
31	1	719260-02870	MAIN BEARING US=0.25	4	4						1

Remarks  
(1) UNDER-SIZE(U.S=0.25)PART.  
(REMARKS)"EFFECTIVE MACHINE NO." OF  
ENGINE IS INDICATED ON THE  
ENGINE LABEL WHICH IS SHOWN  
IN FIG.4.

Fig.2. GEAR HOUSING



OCNP3-G97000 2. GEAR HOUSING

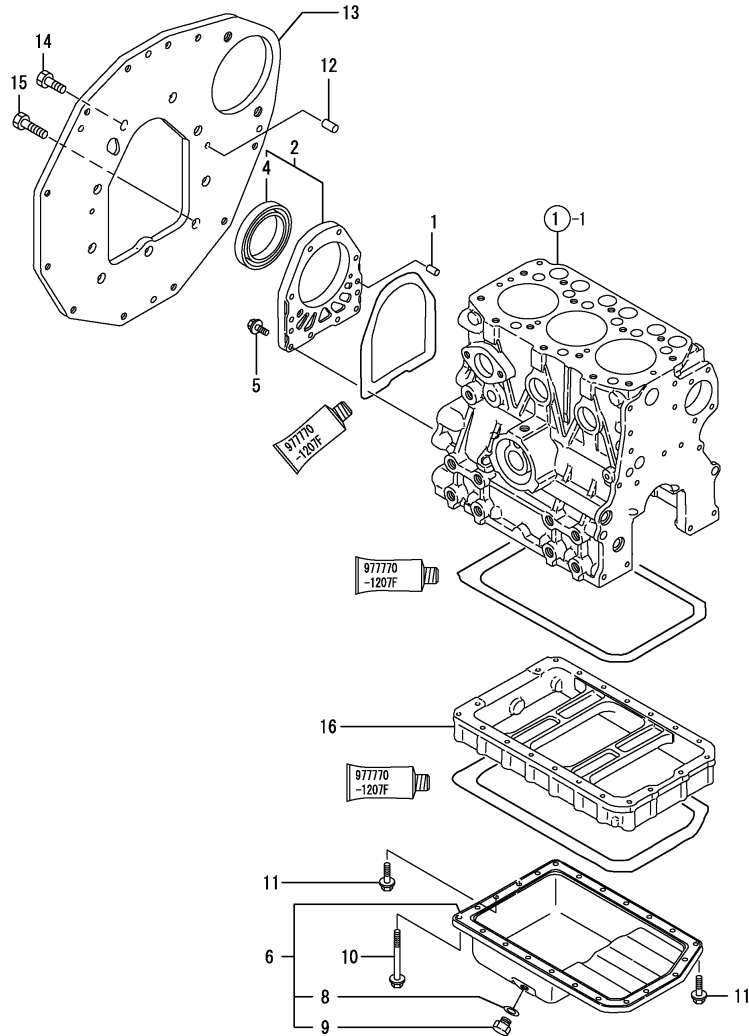
(A)=3TN66-UTR  
(B)=3TNE68-UTR  
(C)=

(D)=  
(E)=  
(F)=

REF.	LEV.	PARTS NO.	DESCRIPTION	QTY						I	R
				(A)	(B)	(C)	(D)	(E)	(F)		
1	1	121450-01560	STUD M 8X 22	1	1						
2	1	119263-01590	COVER ASSY,GEAR CASE	1	1						
5	2	119620-01800	SEAL, OIL	1	1						
6	1	119660-01911	PIPE, KNOCK	4	4						
7	1	119624-32040	O-RING P 12.0	2	2						
8	1	26106-060162	BOLT M 6X 16 PLATED	6	6						
9	1	26106-060302	BOLT M 6X 30 PLATED	4	4						
10	1	26106-060402	BOLT M 6X 40 PLATED	3	3						
11	1	26106-060502	BOLT M 6X 50 PLATED	3	3						
12	1	26106-060652	BOLT M 6X 65 PLATED	6	6						
13	1	124160-01751	COVER,FILLER	1	1						
14	1	24311-000320	O-RING 1A P-32.0	1	1						
15	1	119263-01490	HOUSING ASSY, GEAR	1	1						
18	2	119260-01510	PLUG	1	1						
19	2	121450-01560	STUD M 8X 22	4	4						
20	2	22351-040010	SPRING PIN 4X10	2	2						
21	1	119660-01551	COVER	1	1						
22	1	119660-01562	GASKET, (NON-ASB.)	1	1						
23	1	119660-01570	STUD M6X12	4	4						
24	1	121520-01851	GASKET, (NON-ASB.)	1	1						
25	1	119668-52020	PUMP ASSY, FUEL FEED	1	1						
26	1	119623-01950	SHIM PACK	1	1						
35	1	26366-060002	NUT M 6	4	4						
36	1	129150-91400	GEAR UNIT,TACHOMETER	1	1						
38	2	24341-000240	O-RING 1A S-24.0	1	1						
39	1	26106-060162	BOLT M 6X 16 PLATED	2	2						
40	1	194990-22050	NUT W/WASHER 8	4	4						
41	1	26014-060202	BOLT M 6X 20	2	2						

Remarks  
(REMARKS)"EFFECTIVE MACHINE NO." OF  
ENGINE IS INDICATED ON THE  
ENGINE LABEL WHICH IS SHOWN  
IN FIG.4.

Fig.3. MOUNTING FLANGE & OIL SUMP



0CNP3-G97000 3. MOUNTING FLANGE & OIL SUMP

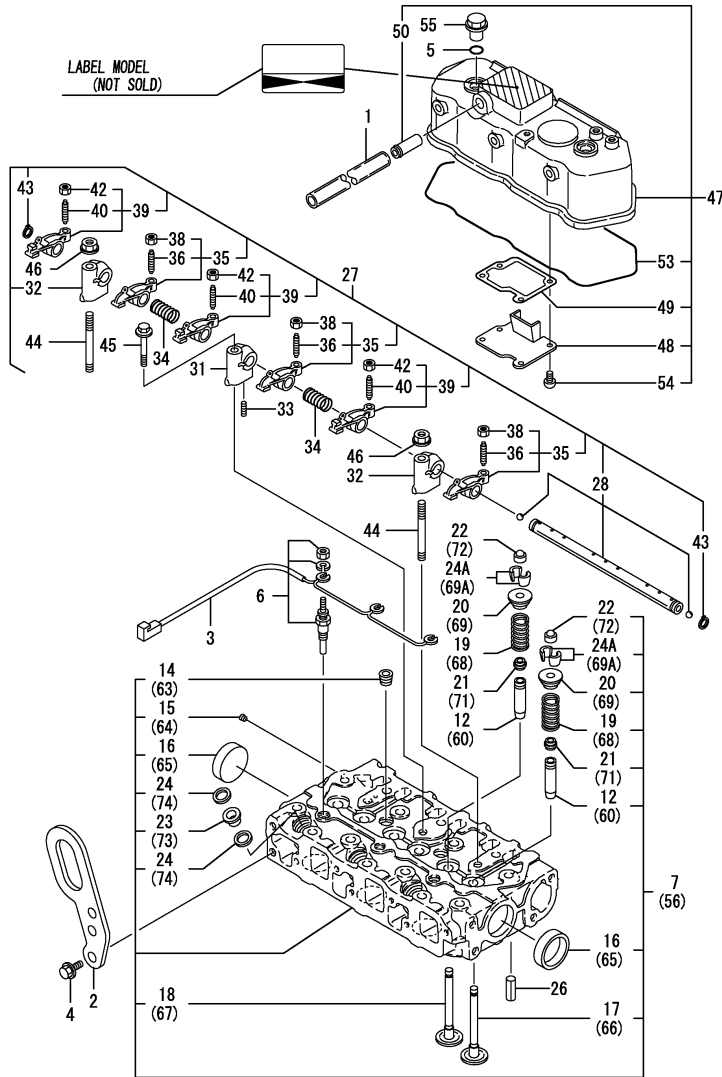
(A)=3TN66-UTR  
(B)=3TNE68-UTR  
(C)=

(D)=  
(E)=  
(F)=

REF.	LEV.	PARTS NO.	DESCRIPTION	QTY						I	R
				(A)	(B)	(C)	(D)	(E)	(F)		
1	1	119620-01620	PARALLEL PIN 6X10	2	2						
2	1	119660-01640	CASE ASSY, OIL SEAL	1	1						
4	2	124085-02220	SEAL, OIL	1	1						
5	1	26106-060222	BOLT M 6X 22 PLATED	10	10						
6	1	119462-01770	SUMP ASSY, LUB. OIL	1	1						
8	2	22190-120002	SEAL WASHER 12	1	1						
9	2	129054-01640	DRAIN PLUG	1	1						
10	1	26106-060452	BOLT M 6X 45 PLATED	20	20						
11	1	26106-060122	BOLT M 6X 12 PLATED	3	3						
12	1	129100-01580	PARALLEL PIN 8X16	2	2						
13	1	119462-01602	FLANGE, MOUNTING	1	1						
14	1	26206-100202	BOLT M10X20	6	6						
15	1	26206-100252	BOLT M10X25	3	3						
16	1	119454-01721	SPACER, OIL SUMP	1	1						

Remarks  
(REMARKS)"EFFECTIVE MACHINE NO." OF  
ENGINE IS INDICATED ON THE  
ENGINE LABEL WHICH IS SHOWN  
IN FIG.4.

Fig.4. CYLINDER HEAD & BONNET



Remarks  
 (1) REPAIR PART.  
 (REMARKS)"EFFECTIVE MACHINE NO." OF  
 ENGINE IS INDICATED ON THE  
 ENGINE LABEL WHICH IS SHOWN  
 IN FIG.4.

OCNP3-G97000 4. CYLINDER HEAD & BONNET

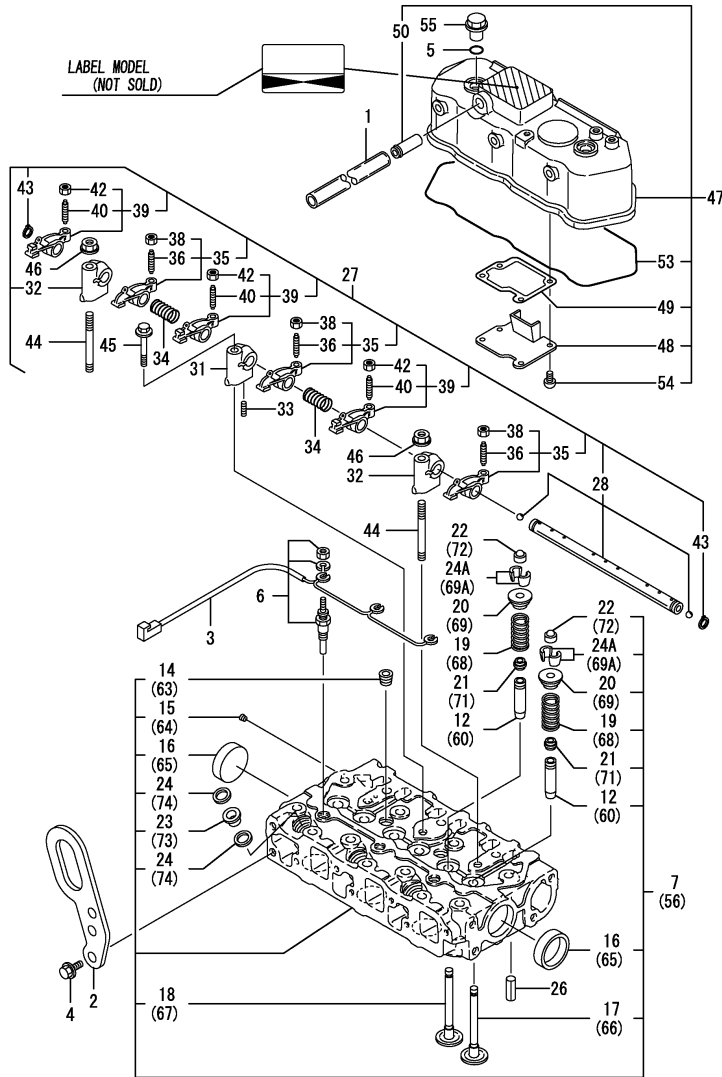
(A)=3TN66-UTR  
 (B)=3TNE68-UTR  
 (C)=

(D)=  
 (E)=  
 (F)=

REF.	LEV.	PARTS NO.	DESCRIPTION	QTY						I	R
				(A)	(B)	(C)	(D)	(E)	(F)		
1	1	23065-120500	PIPE, VINYL 12X 500	1	1						
2	1	119260-07900	LIFTER, ENGINE	1	1						
2-1	1	119626-07900	LIFTING, ENGINE	1	1						N
(A=E88124) (B=EB9504)											
3	1	119645-77820	CONNECTOR, GLOW PLUG	1	1						
4	1	26106-080122	BOLT M 8X 12 PLATED	2	2						
5	1	24311-000120	O-RING 1A P 12.0	2	2						
6	1	129155-77801	PLUG, GLOW	3	3						
7	1	719260-11700	HEAD ASSY, CYLINDER	1							
12	2	119260-11800	GUIDE, VALVE	6							1
14	2	23876-030000	PLUG PT3/8,SCREW	2							
15	2	27221-050080	PLUG 5X 8	1							
16	2	27241-350000	PLUG 35	2							
17	2	119260-11100	VALVE, SUCTION	3							
18	2	119260-11110	VALVE, EXHAUST	3							
19	2	114250-11120	SPRING, VALVE	6							
20	2	114250-11180	RETAINER, SPRING	6							
21	2	119260-11340	SEAL, VALVE STEM	6							
22	2	119260-11370	CAP, VALVE	6							
23	2	119600-11450	PROTECTOR, NOZZLE	3							
24	2	119600-11460	GASKET, NOZZLE	6							
24A	2	27310-055001	COTTER	6							W
(A=EXXX)											
26	1	22351-060012	SPRING PIN 6X12	2	2						
27	1	119260-11200	SUPPORT ASSY, ARM	1	1						
28	2	119260-11240	SHAFT ASSY, ARM	1	1						
31	2	119260-11260	SUPPORT, ROCKER ARM	1	1						
32	2	119265-11260	SUPPORT, ROCKER ARM	2	2						
33	2	119260-11270	SCREW	1	1						
34	2	119260-11280	SPRING	2	2						
35	2	719260-11650	ARM ASSY, ROCKER	3	3						
36	3	105010-11230	SCREW, VALVE	3	3						
38	3	26756-060002	LOCK NUT 6	3	3						
39	2	719260-11660	ARM ASSY, ROCKER	3	3						
40	3	105010-11230	SCREW, VALVE	3	3						
42	3	26756-060002	LOCK NUT 6	3	3						
43	2	22242-000100	CIRCLIP 10	2	2						
44	1	119620-11350	STUD	2	2						
45	1	26106-080452	BOLT M 8X 45 PLATED	1	1						
46	1	26306-080002	NUT	2	2						
47	1	119668-11331	BONNET ASSY	1	1						
48	2	119260-03020	PLATE, SHELTER	1	1						
49	2	119260-03031	GASKET, (NON-ASB.)	1	1						
50	2	118400-03060	JOINT, BREATHER	1	1						
53	2	119260-11310	GASKET, BONNET	1	1						
54	2	22857-500100	SCREW 5X10,TAPPING	4	4						
55	1	124160-11360	KNOB	2	2						
56	1	119265-11700	HEAD ASSY, CYLINDER	1							
60	2	119260-11800	GUIDE, VALVE	6							1
63	2	23876-030000	PLUG PT3/8,SCREW	2							
64	2	27221-050080	PLUG 5X 8	1							



Fig.4. CYLINDER HEAD & BONNET



OCNP3-G97000 4. CYLINDER HEAD & BONNET

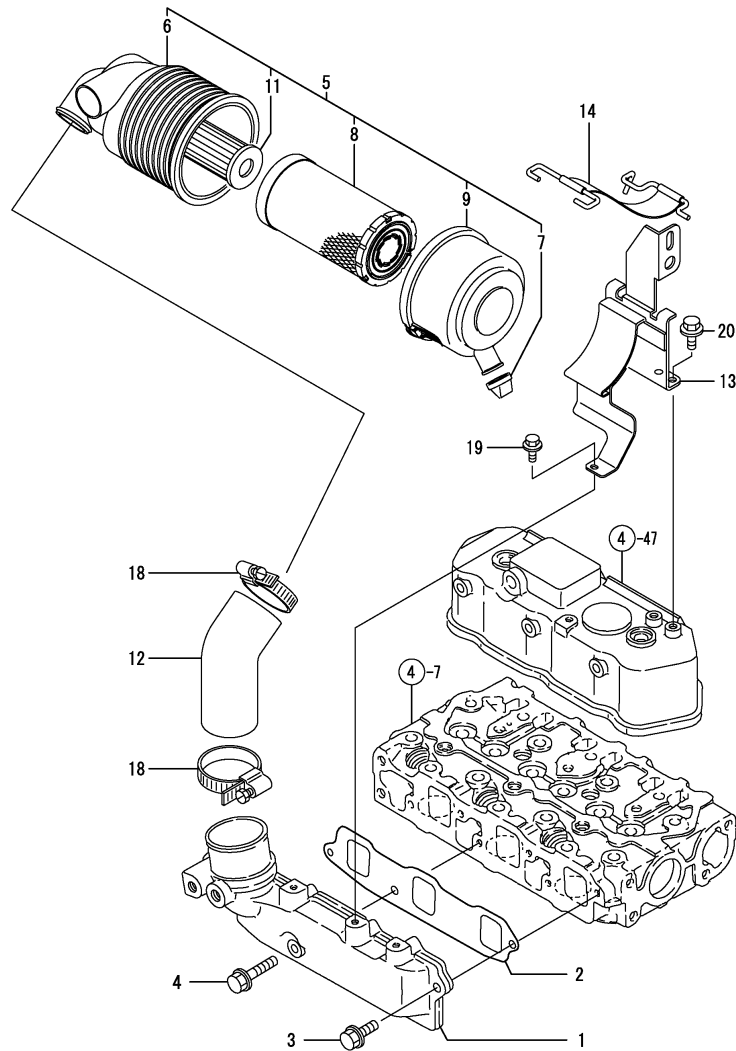
(A)=3TN66-UTR  
(B)=3TNE68-UTR  
(C)=

(D)=  
(E)=  
(F)=

REF.	LEV.	PARTS NO.	DESCRIPTION	Q'TY						I	R
				(A)	(B)	(C)	(D)	(E)	(F)		
65	2	27241-350000	PLUG 35		2						
66	2	119260-11100	VALVE, SUCTION		3						
67	2	119260-11110	VALVE, EXHAUST		3						
68	2	114250-11120	SPRING, VALVE		6						
69	2	114250-11180	RETAINER, SPRING		6						
69A	2	27310-055001	COTTER		6						W
(B=EXXX)											
71	2	119260-11340	SEAL, VALVE STEM		6						
72	2	119260-11370	CAP, VALVE		6						
73	2	119600-11450	PROTECTOR, NOZZLE		3						
74	2	119600-11460	GASKET, NOZZLE		6						

Remarks  
(1) REPAIR PART.  
(REMARKS)"EFFECTIVE MACHINE NO." OF  
ENGINE IS INDICATED ON THE  
ENGINE LABEL WHICH IS SHOWN  
IN FIG.4.

Fig.5. SUCTION MANIFOLD & AIR CREANER



0CNP3-G97000 5. SUCTION MANIFOLD & AIR CREANER

(A)=3TN66-UTR  
(B)=3TNE68-UTR  
(C)=

(D)=  
(E)=  
(F)=

REF.	LEV.	PARTS NO.	DESCRIPTION	QTY						I	R
				(A)	(B)	(C)	(D)	(E)	(F)		
1	1	119275-12101	MANIFOLD, INTAKE	1	1						
2	1	119270-12110	GASKET, SUC.MANIFOLD	1	1						
3	1	26106-060162	BOLT M 6X 16 PLATED	2	2						
4	1	26106-060282	BOLT M 6X 28 PLATED	1	1						
5	1	119668-12510	AIR CLEANER	1	1						
6	2	119668-12520	CANISTER	1	1						
7	2	119808-12540	VALVE, UNLOADER	1	1						
8	2	119655-12560	ELEMENT	1	1						
9	2	105027-12570	COVER, AIR CREANER	1	1						
11	2	119233-12700	ELEMENT, SAFETY	1	1						
12	1	119462-12550	PIPE,SUCTION	1	1						
13	1	119668-12600	SUPPORT,AIR CLEANER	1	1						
14	1	119865-12600	STAY	1	1						
18	1	23000-054000	CLAMP 54	2	2						
19	1	26106-060122	BOLT M 6X 12 PLATED	1	1						
20	1	26106-080122	BOLT M 8X 12 PLATED	2	2						

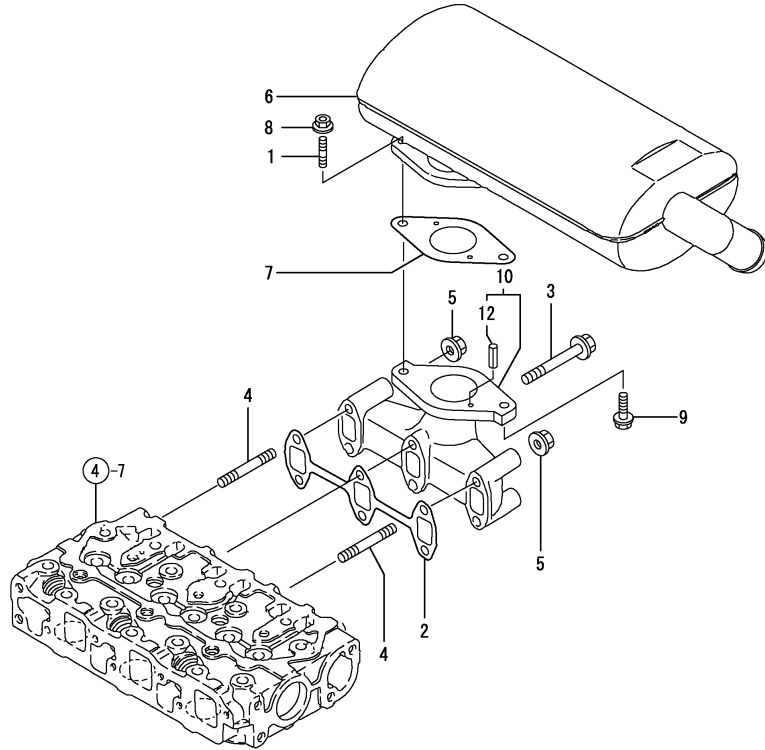
Remarks  
(REMARKS)"EFFECTIVE MACHINE NO." OF  
ENGINE IS INDICATED ON THE  
ENGINE LABEL WHICH IS SHOWN  
IN FIG.4.

Fig.6. EXHAUST MANIFOLD & SILENCER

0CNP3-G97000 6. EXHAUST MANIFOLD & SILENCER

(A)=3TN66-UTR  
(B)=3TNE68-UTR  
(C)=

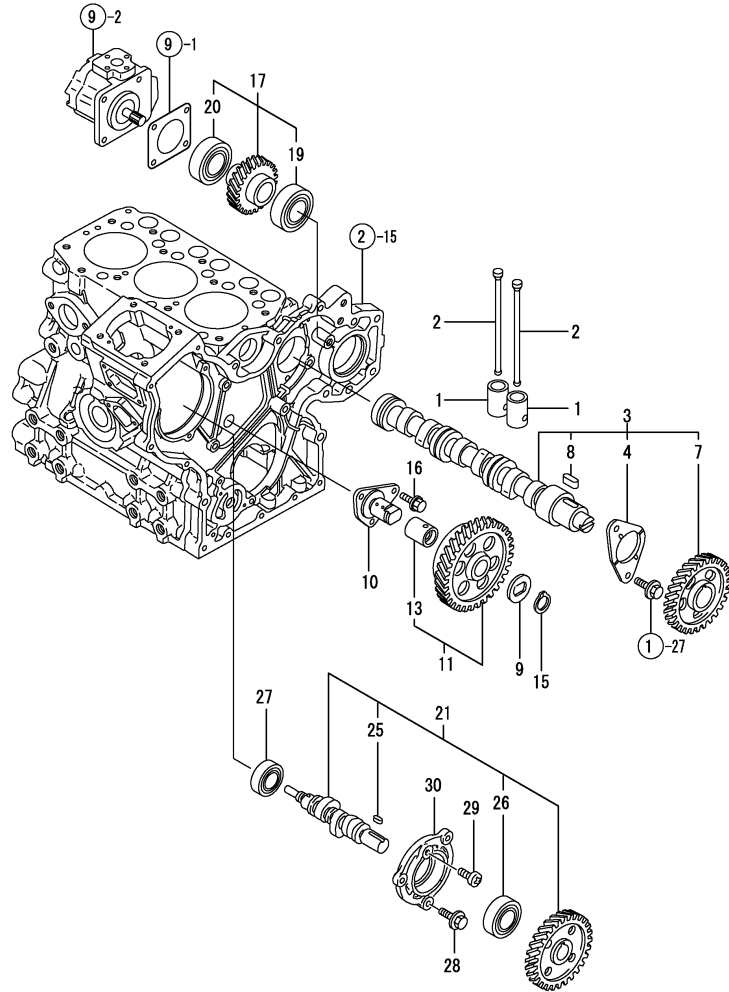
(D)=  
(E)=  
(F)=



REF.	LEV.	PARTS NO.	DESCRIPTION	Q'TY						I	R
				(A)	(B)	(C)	(D)	(E)	(F)		
1	1	119131-18320	BOLT M 8X 22	1	1						
2	1	119260-13110	GASKET, EXH.MANIFOLD	1	1						
3	1	119265-13860	BOLT M 6X 55 PLATED	4	4						
4	1	119265-13820	STUD M 6X 70 PLATED	2	2						
5	1	119265-13800	NUT M 6	2	2						
6	1	119626-13510	SILENCER	1	1						
7	1	129107-13540	PACKING,SILENCER GSK	1	1						
8	1	26306-080002	NUT	1	1						
9	1	26106-080352	BOLT M 8X 35 PLATED	1	1						
10	1	119668-13200	MANIFOLD, EXHAUST	1	1						
12	2	22351-040012	SPRING PIN 4X12	1	1						

Remarks  
(REMARKS)"EFFECTIVE MACHINE NO." OF  
ENGINE IS INDICATED ON THE  
ENGINE LABEL WHICH IS SHOWN  
IN FIG.4.

Fig.7. CAMSHAFT & DRIVING GEAR



OCNP3-G97000 7. CAMSHAFT & DRIVING GEAR

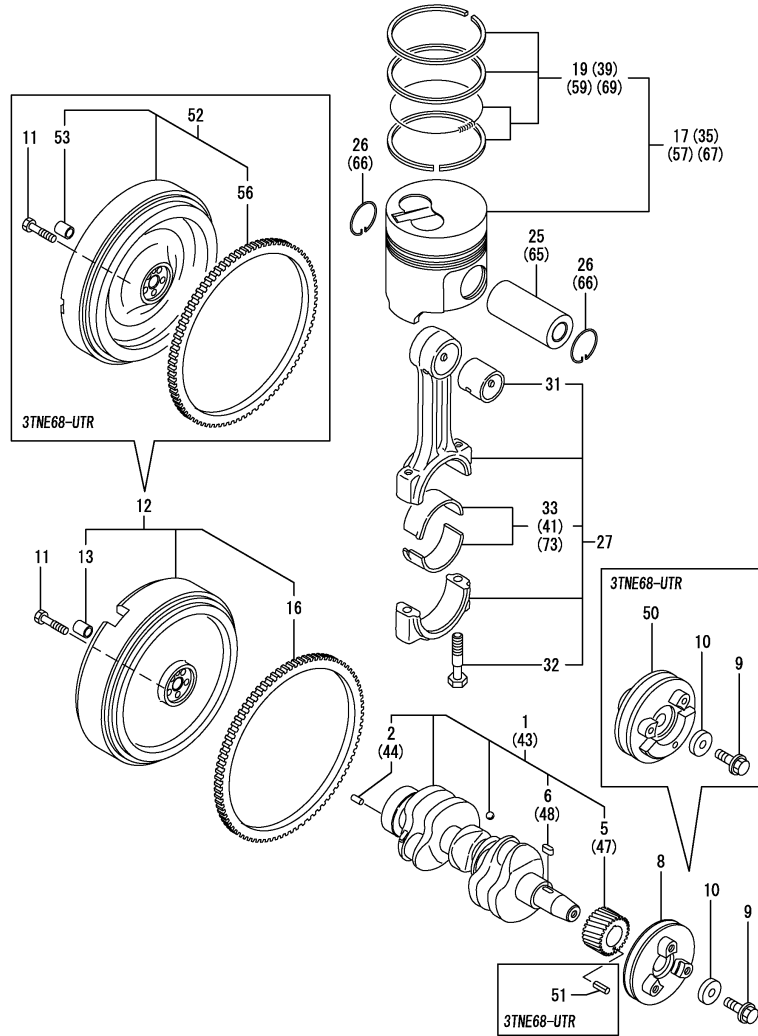
(A)=3TN66-UTR  
(B)=3TNE68-UTR  
(C)=

(D)=  
(E)=  
(F)=

REF.	LEV.	PARTS NO.	DESCRIPTION	QTY						I	R
				(A)	(B)	(C)	(D)	(E)	(F)		
1	1	119260-14200	TAPPET	6	6						
2	1	119260-14400	ROD, PUSH	6	6						
3	1	119260-14580	CAMSHAFT ASSY	1	1						
4	2	119620-02450	BEARING, THRUST	1	1						
7	2	119260-14100	GEAR, CAMSHAFT	1	1						
8	2	22512-040120	KEY 4X 12	1	1						
9	1	119660-25022	RETAINER, IDLE GEAR	1	1						
10	1	119660-25052	SHAFT, IDLE GEAR	1	1						
11	1	119260-25100	GEAR W/BUSH, IDLE	1	1						
13	2	119620-25912	BUSH	1	1						1
15	1	22242-000200	CIRCLIP 20	1	1						
16	1	26106-060122	BOLT M 6X 12 PLATED	3	3						
17	1	119263-26001	GEAR ASSY, HYDR.PUMP	1	1						
19	2	129350-26490	BALL BEARING	1	1						
20	2	24104-060054	BALL BEARING	1	1						
21	1	119225-14200	CAM ASSY, F.I. PUMP	1	1						
25	2	22512-040120	KEY 4X 12	1	1						
26	2	24102-063034	BALL BEARING 6303U	1	1						
27	1	24101-062034	BALL BEARING	1	1						
28	1	26106-060162	BOLT M 6X 16 PLATED	3	3						
29	1	26587-080102	SCREW M 8X 10	1	1						
30	1	119660-01821	BEARING, FUEL CAM.	1	1						

Remarks  
(1) REPAIR PART.  
(REMARKS)"EFFECTIVE MACHINE NO." OF  
ENGINE IS INDICATED ON THE  
ENGINE LABEL WHICH IS SHOWN  
IN FIG.4.

Fig.8. CRANKSHAFT & PISTON



Remarks  
 (1) REPAIR PART.  
 (2) OVER-SIZE(O.S=0.25)PART.  
 (3) UNDER-SIZE(U.S=0.25)PART.  
 (REMARKS)"EFFECTIVE MACHINE NO." OF  
 ENGINE IS INDICATED ON THE  
 ENGINE LABEL WHICH IS SHOWN  
 IN FIG.4.

OCNP3-G97000 8. CRANKSHAFT & PISTON

(A)=3TN66-UTR  
 (B)=3TNE68-UTR  
 (C)=

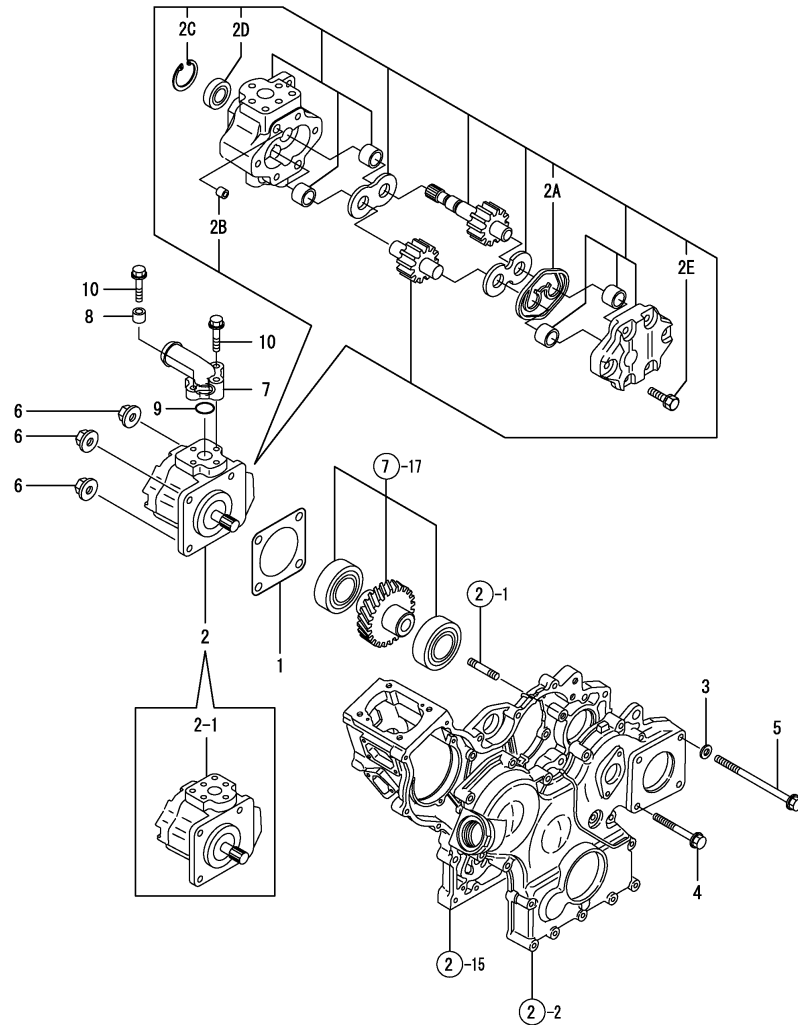
(D)=  
 (E)=  
 (F)=

REF.	LEV.	PARTS NO.	DESCRIPTION	QTY						I	R
				(A)	(B)	(C)	(D)	(E)	(F)		
1	1	719260-21700	CRANKSHAFT ASSY	1							
2	2	129100-01580	PARALLEL PIN 8X16	1							
5	2	119260-21200	GEAR, CRANKSHAFT	1							
6	2	22512-040120	KEY 4X 12	1							
8	1	119230-21651	V-PULLEY	1							
9	1	119621-21680	BOLT M12X1.25,FLANGE	1	1						
10	1	119620-21941	WASHER	1	1						
11	1	105225-21501	BOLT, FLYWHEEL	5	5						
12	1	119462-21591	FLYWHEEL ASSY	1							
13	2	124950-21230	BUSH	1							
16	2	124060-21600	GEAR, RING	1							
17	1	119270-22091	PISTON W/RING	3							
19	2	719270-22501	RING SET	3							
25	1	119260-22300	PIN, PISTON	3							
26	1	105225-22400	CIRCLIP	6							
27	1	119265-23100	ROD ASSY, CONNECTING	3	3						
31	2	119260-73910	BUSH, PISTON PIN	3	3						1
32	2	119265-23200	BOLT, ROD	6	6						
33	2	719260-23600	BEARING, CRANKPIN	3	3						
35	1	719270-22820	PISTON W/RING OS=.25	3							2
37	2	719270-22541	RING SET O.S=0.25	3							2
41	1	719260-23610	BEARING,PIN U.S=0.25	3							3
43	1	119265-21700	CRANKSHAFT ASSY		1						
44	2	129100-01580	PARALLEL PIN 8X16		1						
47	2	119260-21200	GEAR, CRANKSHAFT		1						
48	2	22512-040120	KEY 4X 12		1						
50	1	119233-21660	PULLY, CRANKSHAFT		1						
51	1	22351-030010	SPRING PIN 3X10		1						
52	1	119668-21590	FLYWHEEL ASSY		1						
53	2	124950-21230	BUSH		1						
56	2	124060-21600	GEAR, RING		1						
57	1	119265-22601	PISTON W/RINGS		3						
59	2	119265-22500	RING SET		3						
65	1	119265-22300	PIN, PISTON		3						
66	1	22252-000200	CIRCLIP 20		6						
67	1	119265-22930	PISTON W/RING OS=.25		3						2
69	2	119265-22950	RING SET O.S=0.25		3						2
73	1	719260-23610	BEARING,PIN U.S=0.25		3						3

Fig.9. HYDRAULIC PUMP

(A)=3TN66-UTR  
(B)=3TNE68-UTR  
(C)=

(D)=  
(E)=  
(F)=



REF.	LEV.	PARTS NO.	DESCRIPTION	QTY						I	R
				(A)	(B)	(C)	(D)	(E)	(F)		
1	1	124240-01883	GASKET, (NON-ASB.)	1	1						
2	1	119668-26000	PUMP ASSY,LUB.OIL	1	1						
2-1	1	119668-26010	PUMP, HYD.OIL	1	1						S
2-2	1	119668-26011	PUMP, HYD.OIL	1	1						N
		(A=E86421) (B=EA3117)									
		(A=*2006.08) (B=ED0116)									
I	2A	2 178070-10401	SQUARE RING	1	1						
	2A-1	2 178077-15400	SEAL RING	1	1						N
		(A=FXXXXX) (B=FXXXXX)									
I	2B	2 194521-41570	PIN 11X7	2	2						
I	2C	2 22252-000320	CIRCLIP 32	1	1						
I	2D	2 24421-153207	SEAL TC15 32 07, OIL	1	1						
I	2E	2 26016-080352	BOLT M 8X 35	4	4						
	3	1 22137-080000	WASHER 8, POLISHED	2	2						
	4	1 26106-080702	BOLT M 8X 70 PLATED	1	1						
	5	1 26116-081302	BOLT M 8X130 PLATED	2	2						
	6	1 26306-080002	NUT	4	4						
	7	1 119668-26610	FLANGE	1	1						
	8	1 119668-26690	SPACER, FLANGE	1	1						
	9	1 24311-000200	O-RING 1A P-20.0	1	1						
	10	1 26106-060302	BOLT M 6X 30 PLATED	3	3						

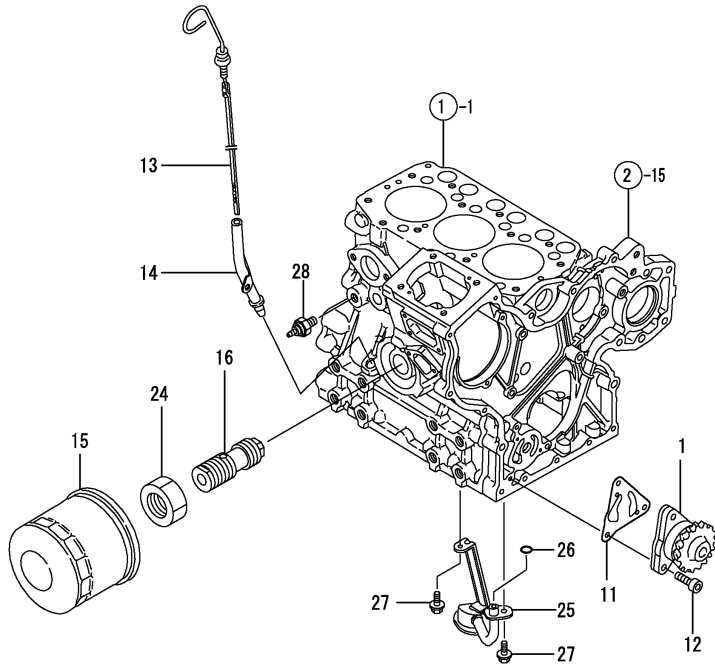
Remarks  
(REMARKS)"EFFECTIVE MACHINE NO." OF  
ENGINE IS INDICATED ON THE  
ENGINE LABEL WHICH IS SHOWN  
IN FIG.4.

Fig.10. LUBRICATION OIL SYSTEM

(A)=3TN66-UTR  
(B)=3TNE68-UTR  
(C)=

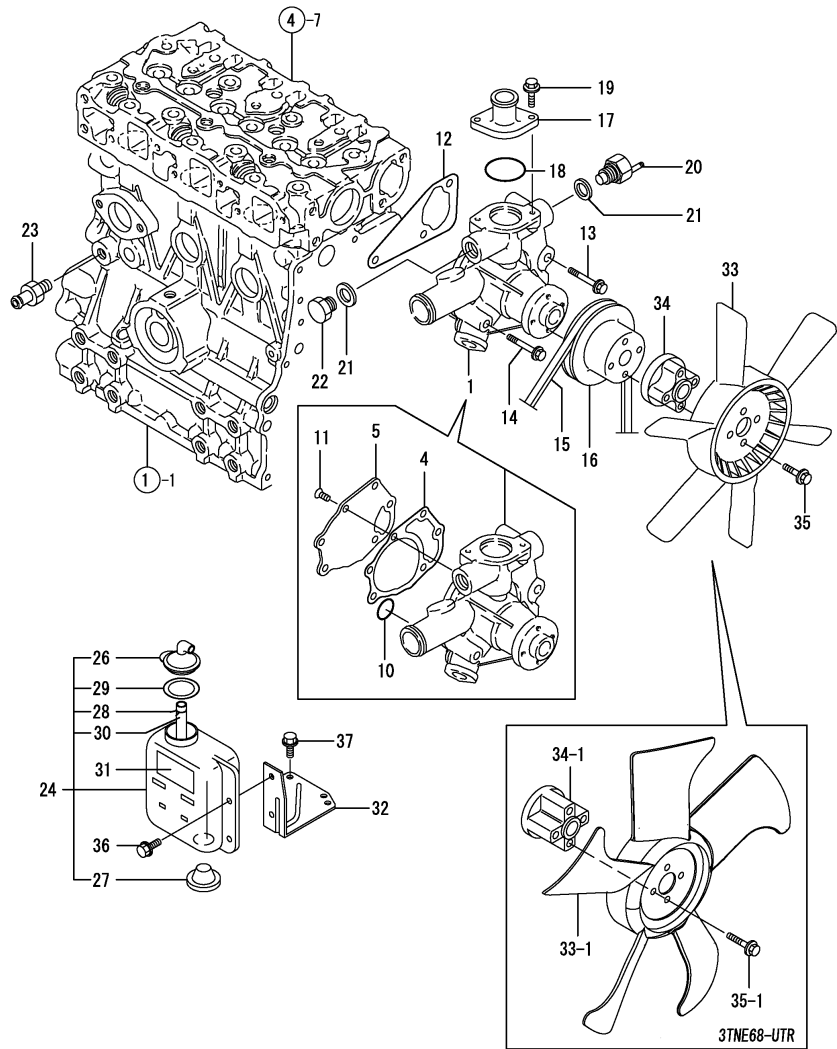
(D)=  
(E)=  
(F)=

REF.	LEV.	PARTS NO.	DESCRIPTION	Q'TY						I	R
				(A)	(B)	(C)	(D)	(E)	(F)		
1	1	119260-32000	PUMP ASSY, LUB. OIL	1	1						
11	1	119660-32020	GASKET, L.O.PUMP	1	1						
12	1	26450-060202	BOLT M 6X 20	3	3						
13	1	119462-34800	DIPSTICK	1	1						
14	1	119860-34810	GUIDE, DIPSTICK	1	1						
15	1	119305-35151	FILTER ASSY, LUB.OIL	1	1						1
16	1	119225-35300	VALVE ASSY,OIL PRESS	1	1						
24	1	129150-35350	NUT	1	1						
25	1	119462-35080	PIPE ASSY, L.O.INLET	1	1						
26	1	119209-35030	O-RING	1	1						
27	1	26106-060122	BOLT M 6X 12 PLATED	2	2						
27-1	1	26106-060102	BOLT 6X 10 PLATED	2	2						N
(A=EXXX) (B=EXXX)											
28	1	114250-39450	SWITCH,(0.5KG)L.O.	1	1						



Remarks  
(1) REPAIR PART.

Fig.11. COOLING WATER SYSTEM



(A)=3TN66-UTR  
(B)=3TNE68-UTR  
(C)=

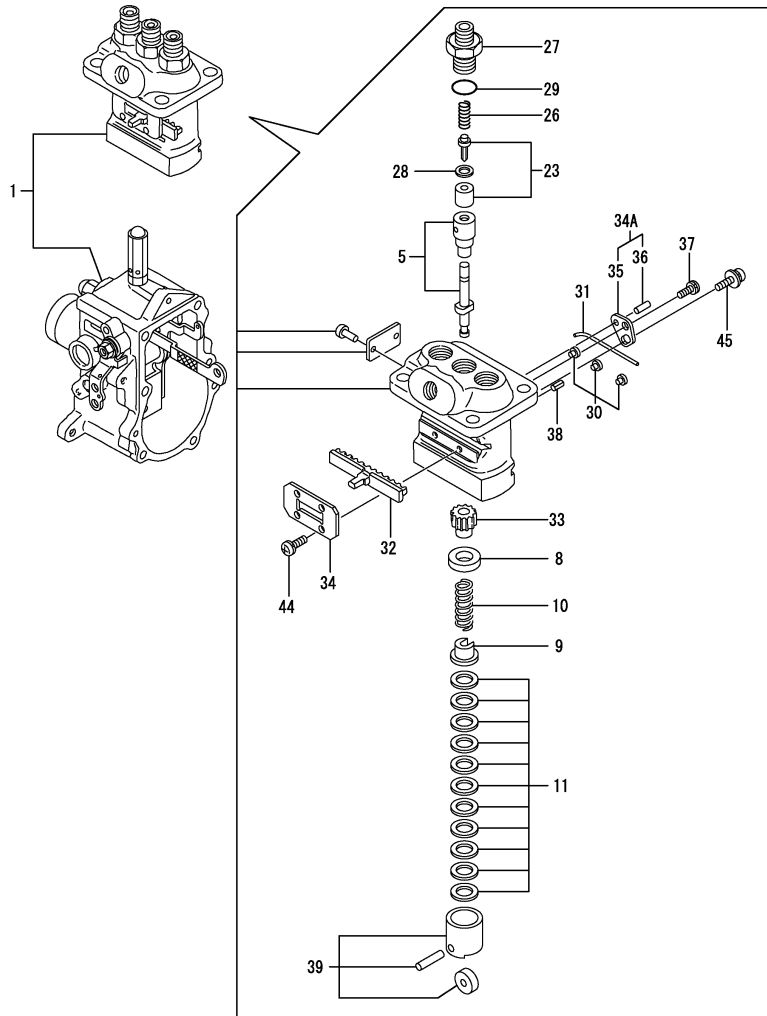
(D)=  
(E)=  
(F)=

REF.	LEV.	PARTS NO.	DESCRIPTION	QTY						I	R
				(A)	(B)	(C)	(D)	(E)	(F)		
1	1	119260-42003	PUMP ASSY, C. WATER	1	1						
1-1	1	119260-42004	PUMP ASSY, C.W.	1	1						R
		(A=E999) (B=E999)									
I	4	2 119285-42052	GASKET	1	1						
4-1	2	119285-42051	GASKET, WATER PUMP	1	1						N
		(A=E86421) (B=E94072)									
I	5	2 119285-42120	PLATE	1	1						
	10	2 119209-42320	O-RING P21	1	1						
I	11	2 26577-060122	SCREW M 6X 12	3	3						
	12	1 119260-42021	GASKET, C.W.	1	1						
	13	1 26106-080452	BOLT M 8X 45 PLATED	2	2						
	14	1 26106-080402	BOLT M 8X 40 PLATED	1	1						
	15	1 119620-42291	V-BELT	1	1						
	16	1 119620-42350	V-PULLEY, C.W. PUMP	1	1						
	17	1 119260-49530	COVER, THERMOSTAT	1	1						
	18	1 119209-42140	O_RING,COVER_THERMOS	1	1						
	19	1 26106-060182	BOLT M 6X 18 PLATED	2	2						
	20	1 121250-44901	SWITCH, THERMO(110 C	1	1						
	21	1 124465-44950	GASKET 16	2	2						
	22	1 121450-42450	PLUG M16	1	1						
	23	1 121550-49111	JOINT PT1/4	1	1						
	24	1 121468-44510	SUB-TANK ASSY	1	1						
	26	2 121450-44531	CAP	1	1						
	27	2 121468-44540	PLUG, SUB-TANK	1	1						
	28	2 124450-44560	CLAMP	1	1						
	29	2 121470-44581	GASKET	1	1						
	30	2 23065-070130	PIPE 7X 130	1	1						
	31	1 124764-44810	LABEL,SUB-TANK	1	1						
	32	1 119462-44600	BRACKET,SUB-TANK	1	1						
	33	1 121465-44740	FAN, COOLING	1	1						
	33-1	1 119258-44740	FAN(D300,SUCTION		1						N
		(B=E90917)									
	34	1 129457-44760	SPACER, FAN	1	1						
	34-1	1 129030-44760	SPACER		1						N
		(B=E90917)									
	35	1 26106-060402	BOLT M 6X 40 PLATED	4	4						
	35-1	1 26106-060502	BOLT M 6X 50 PLATED		4						N
		(B=E90917)									
	36	1 26106-060122	BOLT M 6X 12 PLATED	2	2						
	37	1 26106-060122	BOLT M 6X 12 PLATED	2	2						

Remarks  
(REMARKS)"EFFECTIVE MACHINE NO." OF  
ENGINE IS INDICATED ON THE  
ENGINE LABEL WHICH IS SHOWN  
IN FIG.4.



Fig.12. FUEL OIL INJECTION PUMP



Remarks  
 (1) GOVERNOR ASSY(FIG.NO.13) IS INCORPORATED IN THIS FUEL INJECTION PUMP ASSY(REF.NO.1) (REMARKS)"EFFECTIVE MACHINE NO." OF ENGINE IS INDICATED ON THE ENGINE LABEL WHICH IS SHOWN IN FIG.4.

0CNP3-G97000 12. FUEL OIL INJECTION PUMP

(A)=3TN66-UTR  
 (B)=3TNE68-UTR  
 (C)=

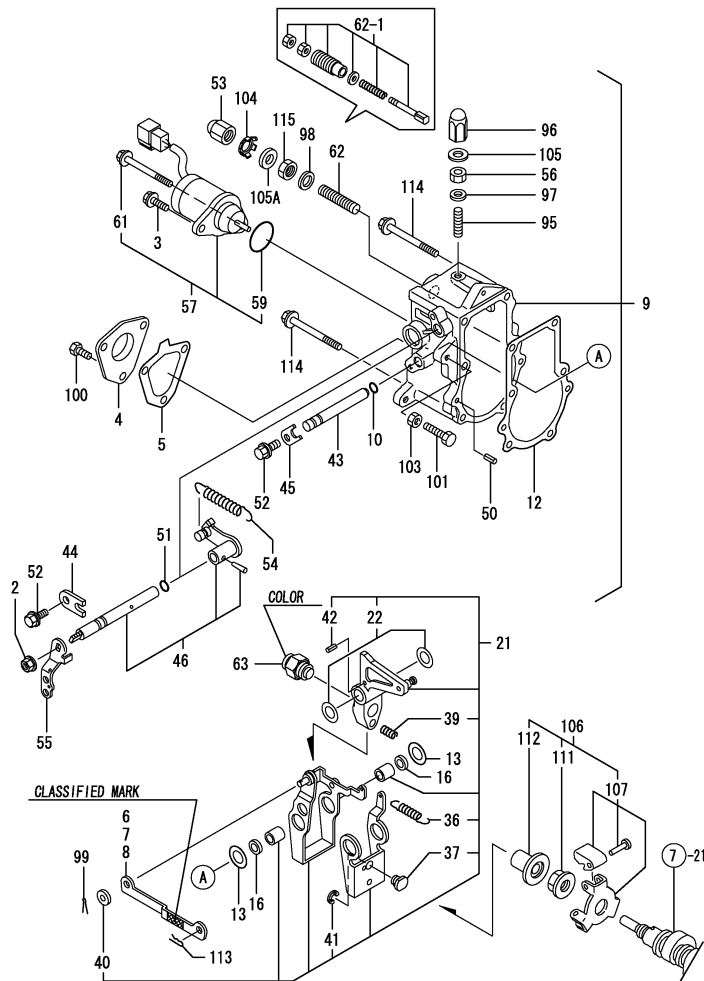
(D)=  
 (E)=  
 (F)=

REF.	LEV.	PARTS NO.	DESCRIPTION	Q'TY						I	R
				(A)	(B)	(C)	(D)	(E)	(F)		
1	1	719668-51700	FIE(SERVICE ASSY	1	1						1
1-1	1	719668-51701	FIE(SERVICE ASSY		1						N 1
		(B=E90917)									
5	2	119225-51100	PLUNGER W/BARREL	3	3						
8	2	119620-51170	RETAINER	3	3						
9	2	119620-51180	RETAINER	3	3						
10	2	119620-51190	SPRING, PLUNGER	3	3						
11	2	119620-51250	SHIM PACK	3	3						
23	2	119225-51300	VALVE W/SEAT, DELIV.	3	3						
26	2	105546-51330	SPRING, DELIV. VALVE	3	3						
27	2	119620-51340	HOLDER, DELIV. VALVE	3	3						
28	2	119620-51350	GASKET, DELIVERY	3	3						
29	2	119620-51370	O-RING	3	3						
29-1	2	24316-000125	O-RING 4D P-12.5	3	3						N
		(A=E88991) (B=EC7879)									
30	2	119620-51450	GUIDE, PLUNGER	3	3						
31	2	119620-51461	PIN	1	1						
32	2	119660-51500	RACK	1	1						
33	2	119620-51510	PINION	3	3						
34	2	119660-51530	RETAINER, RACK	1	1						
34A	2	119620-51640	PLATE ASSY,ADJUSTING	1	1						W
		(A=EXXX) (B=EXXX)									
I 35	3	119620-51650	PLATE	2	2						
I 36	3	119620-51670	PIN	2	2						
I 37	2	119620-51660	SCREW	2	2						
38	2	119620-51680	PIN	1	1						
39	2	119620-51700	TAPPET ASSY	3	3						
44	2	26022-040082	SCREW M 4X 8	4	4						
45	2	26033-040102	SCREW M 4X 10	2	2						

Fig.13. GOVENOR

(A)=3TN66-UTR  
(B)=3TNE68-UTR  
(C)=

(D)=  
(E)=  
(F)=



Remarks

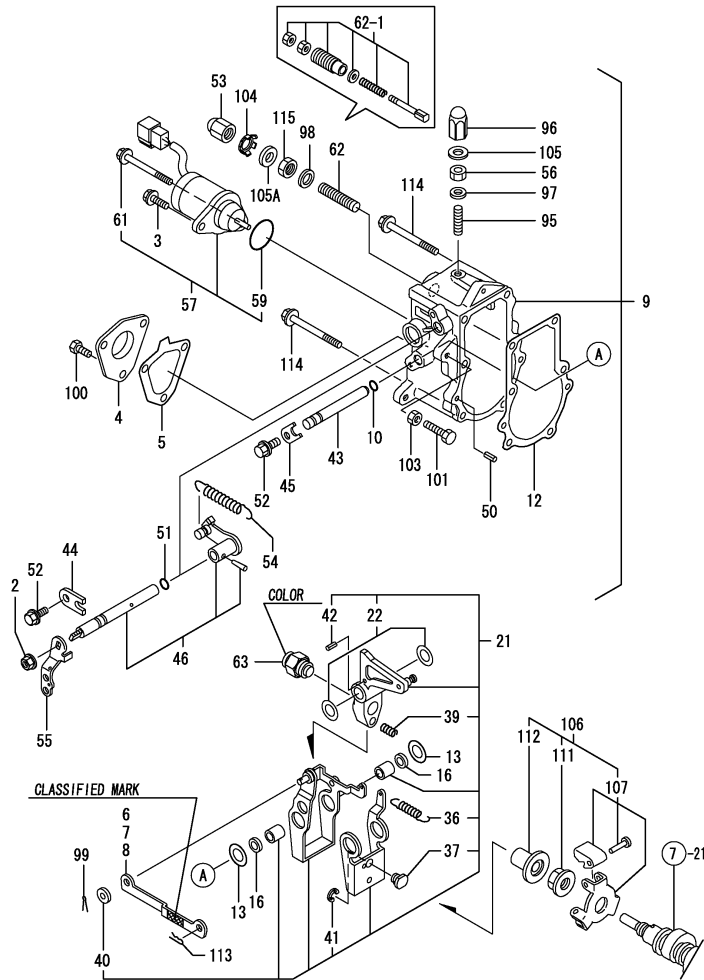
(1) SELECTIVE PARTS: CERTAIN THE CLASSIFICATION MARK, THEN PLACE YOUR ORDER.(REFER TO ILLUSTRATION)  
(3) COLOR =REF.NO.63 VIOLET, 63-1 WHITE.  
\* THIS FIGURE(GOVERNOR ASSY) IS INCORPORATED IN THE FUEL INJECTION PUMP ASSY(FIG.12).

REF.	LEV.	PARTS NO.	DESCRIPTION	Q'TY						I	R
				(A)	(B)	(C)	(D)	(E)	(F)		
2	2	194990-22050	NUT W/WASHER 8	1	1						
3	2	121465-59950	BOLT M 6X 16, PLATED	1	1						
4	2	119660-61060	COVER, GOVERNOR CASE	1	1						
5	2	119660-61071	GASKET, (NON-ASB.)	1	1						
6	2	119660-61121	LINK L=88.8(NO COLOR)	1	1						1
6-1	2	119660-61122	LINK L=88.8(NO COLOR)	1	1						R 1
		(A=E86421) (B=E94072)									
7	2	119660-61140	LINK L=88.6(WHITE)	1	1						1
7-1	2	119660-61141	LINK L=88.6(WHITE)	1	1						R 1
		(A=E86421) (B=E94072)									
8	2	119660-61150	LINK L=89.0(RED)	1	1						1
8-1	2	119660-61151	LINK L=89.0(RED)	1	1						R 1
		(A=E86421) (B=E94072)									
9	2	119632-61200	CASE ASSY, GOVERNOR	1	1						
10	3	129155-51280	O-RING S6	1	1						
12	3	119660-61052	GASKET, (NON-ASB.)	1	1						2
12-1	3	119660-61053	GASKET, (NON-ASB.)	1	1						S 2
		(A=E86421) (B=E94072)									
13	3	119660-61460	SHIM SET	2	2						
13-1	3	129156-61500	SHIM T=0.5	1	1						N
		(A=E86421) (B=E94072)									
16	3	129155-61480	SPACER ASSY	2	2						
16-1	3	119632-61500	SHIM SET	1	1						N
		(A=E86421) (B=E94072)									
21	3	119232-61510	LEVER ASSY, GOVERNOR	1	1						
22	4	174307-51700	SHIM SET	2	2						
36	4	119232-61540	SPRING, LEVER	1	1						
37	4	119600-61541	SHIFTER,P.T.O.	1	1						
39	4	119660-61651	SPRING, STARTING	1	1						
40	4	22117-040000	WASHER 4	1	1						
41	4	22272-000040	CIRCLIP E- 4	1	1						
42	4	22351-030014	SPRING PIN 3X14	1	1						
43	3	119660-61590	SHAFT	1	1						
44	3	119600-61900	RETAINER, SHAFT	1	1						
45	3	119660-61901	RETAINER, SHAFT	1	1						
46	3	119285-66080	SHAFT ASSY,REGULATOR	1	1						
50	3	22351-040010	SPRING PIN 4X10	2	2						
51	3	24341-000070	O-RING 1A S-7.0	1	1						
52	3	26106-060102	BOLT 6X 10 PLATED	2	2						
53	2	129100-61930	NUT, CAP	1	1						
54	2	119600-66010	SPRING, REGULATOR	1	1						
55	2	119621-66051	LEVER, REGULATOR	1	1						
56	2	26857-060002	NUT	1	1						
57	2	119653-66500	ENGINE STOP DEVICE	1	1						
59	3	24341-000280	O-RING 1A S-28.0	1	1						
59-1	3	158552-61900	O-RING	1	1						R
		(A=*2006.08) (B=ED0116)									
61	3	119620-01530	SOLENOID, BOLT	1	1						
62	2	120323-61470	BOLT, CONTROL	1	1						
62-1	2	119629-66510	TORQUE SPRING ASSY	1							S
		(B=E90917)									

Fig.13. GOVENOR

(A)=3TN66-UTR  
(B)=3TNE68-UTR  
(C)=

(D)=  
(E)=  
(F)=

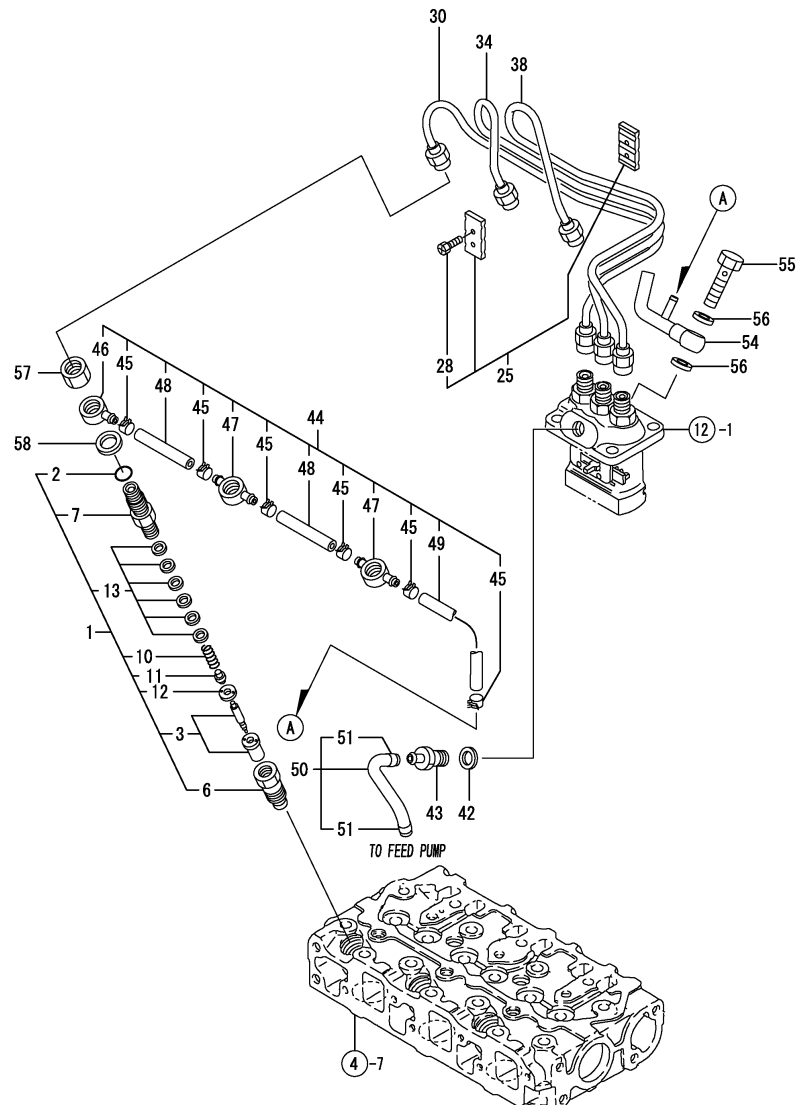


REF.	LEV.	PARTS NO.	DESCRIPTION	Q'TY						I	R
				(A)	(B)	(C)	(D)	(E)	(F)		
63	2	119600-66720	ANGLEIGH ASSY	1	1						3
63-1	2	119654-66700	ANGLEIGH ASSY		1						S 3
			(B=E90917)								
95	2	121575-66830	SCREW, ADJUST	1	1						
96	2	119285-66600	CAPNUT M6	1	1						
97	2	22190-060003	SEAL WASER 6	1	1						
98	2	22190-120002	SEAL WASHER 12	1	1						
99	2	22360-040000	SNAP PIN 4	1	1						
100	2	26116-050102	BOLT M 5X 10 PLATED	3	3						
100-1	2	26106-050102	BOLT M 5X 10 PLATED	3	3						N
			(A=E87369) (B=EA8010)								
101	2	119266-61460	BOLT,LOW IDLE SET	1	1						
103	2	26756-060002	LOCK NUT 6	1	1						
104	2	129209-61970	PLATE	1	1						
105	2	119285-66620	GASKET M6	1	1						
105A	2	23414-120016	GASKET 12	1	1						W
			(A=E84965) (B=E84951)								
106	1	119600-61100	DRIVING SET, GOV.	1	1						
107	2	119600-61200	WEIGHT ASSY, GOV.	1	1						
111	2	119660-61300	NUT, GOVERNOR WEIGHT	1	1						
112	2	119660-61341	SLEEVE, GOVERNOR	1	1						
113	1	22360-060000	SNAP PIN 6	1	1						
114	1	26106-060702	BOLT M 6X 70 PLATED	5	5						
115	1	26736-120002	NUT M12	1	1						

Remarks

(1) SELECTIVE PARTS: CERTAIN THE CLASSIFICATION MARK, THEN PLACE YOUR ORDER.(REFER TO ILLUSTRATION  
(3) COLOR =REF.NO.63 VIOLET, 63-1 WHITE.  
\* THIS FIGURE(GOVERNOR ASSY) IS INCORPORATED IN THE FUEL INJECTION PUMP ASSY(FIG. 12).

Fig.14. FUEL OIL INJECTION VALVE



OCNP3-G97000 14. FUEL OIL INJECTION VALVE

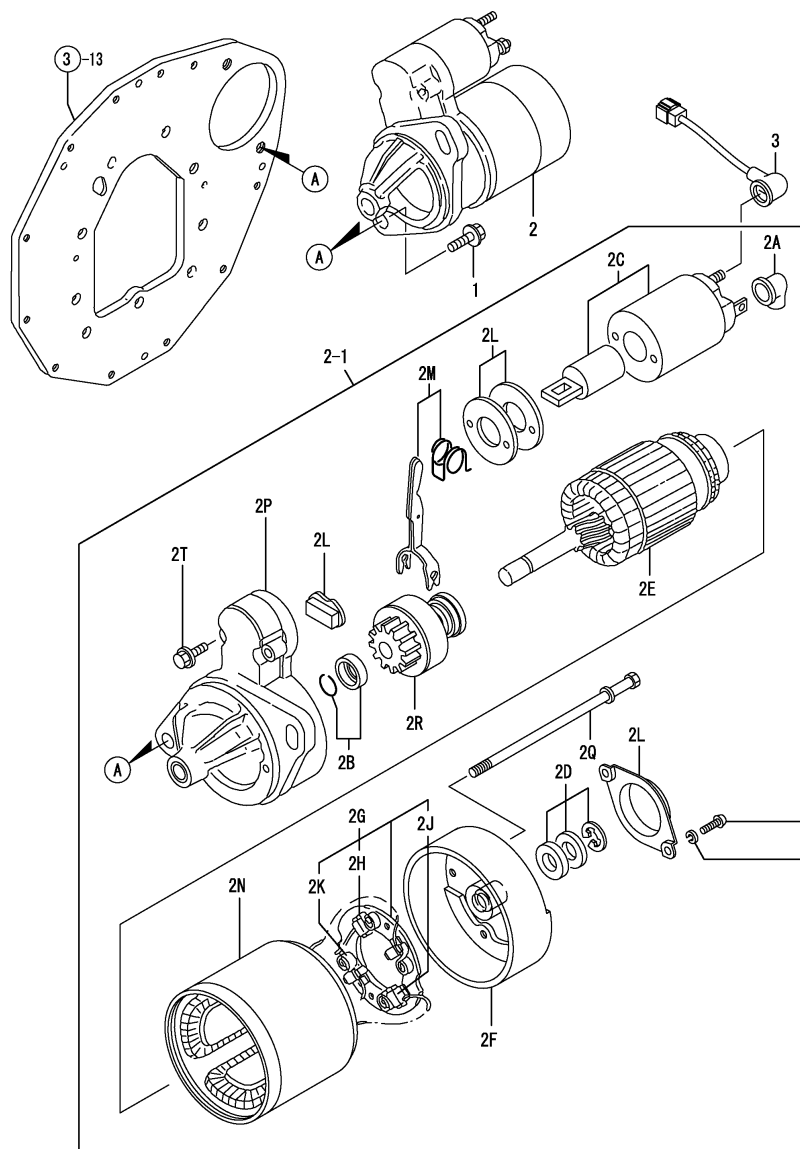
(A)=3TN66-UTR  
(B)=3TNE68-UTR  
(C)=

(D)=  
(E)=  
(F)=

REF.	LEV.	PARTS NO.	DESCRIPTION	QTY						I	R
				(A)	(B)	(C)	(D)	(E)	(F)		
1	1	719255-53100	FUEL INJECT.VALVE AS	3	3						
2	2	129155-61830	O-RING S10	3	3						
2-1	2	158552-51930	O-RING,4D S10	3	3						N
		(A=E)XXX	(B=E)XXX								
3	2	119620-53000	NOZZLE ASSY,F.INJECT	3	3						
6	2	119620-53080	NUT, VALVE W/CASE	3	3						
7	2	119255-53100	HOLDER,NOZZLE	3	3						
10	2	119620-53120	SPRING, VALVE	3	3						
11	2	114250-53130	SEAT, NOZZLE SPRING	3	3						
12	2	119620-53140	SPACER, VALVE STOP	3	3						
13	2	114250-53400	SHIM PACK	3	3						
25	1	129150-59120	RETAINER, INJ. PIPE	1	1						
28	2	129150-59131	BOLT M4X14,HEX.SCKT.	2	2						
30	1	119209-59810	PIPE (1),FUEL INJECT	1	1						
34	1	119209-59820	PIPE (2),FUEL INJECT	1	1						
38	1	119209-59830	PIPE (3),FUEL INJECT	1	1						
42	1	104200-59170	GASKET 12	1	1						
43	1	119462-59150	JOINT	1	1						
44	1	119668-59550	PIPE ASSY, RETURN	1	1						
45	2	124066-59100	CLAMP 8	6	6						
46	2	119260-59520	JOINT (B)	1	1						
47	2	119260-59530	JOINT (A)	2	2						
48	2	105025-59550	PIPE, FUEL RETURN	2	2						
49	2	105225-59240	PIPE, FUEL OIL	1	1						
50	1	119668-59010	PIPE ASSY, FUEL OIL	1	1						
51	2	124766-59050	CLAMP 12	2	2						
I 54	1	119356-59571	JOINT, OVER FLOW	1	1						
I 55	1	119266-59580	BOLT 8,PIPE JOINT	1	1						
I 56	1	22190-080002	SEAL WASHER 8S	2	2						
57	1	119620-59700	NUT	3	3						
58	1	23414-140000	GASKET 14, ROUND	3	3						

Remarks  
(REMARKS)"EFFECTIVE MACHINE NO." OF  
ENGINE IS INDICATED ON THE  
ENGINE LABEL WHICH IS SHOWN  
IN FIG.4.

Fig.15. STARTING MOTOR



0CNP3-G97000 15. STARTING MOTOR

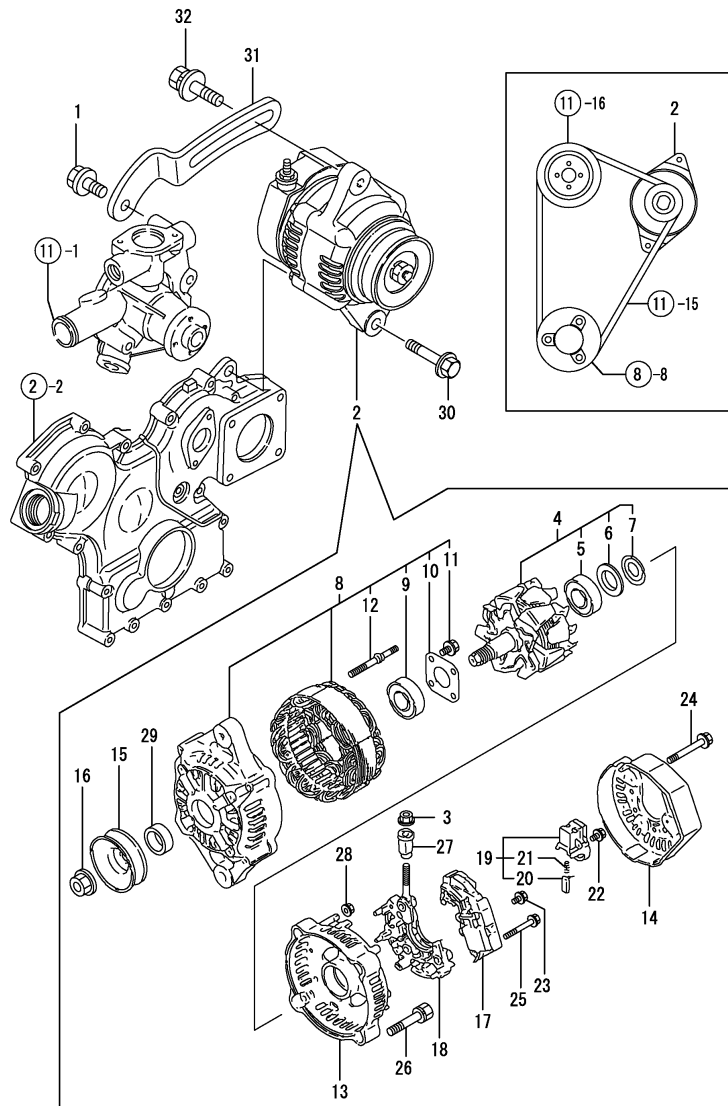
(A)=3TN66-UTR  
(B)=3TNE68-UTR  
(C)=

(D)=  
(E)=  
(F)=

REF.	LEV.	PARTS NO.	DESCRIPTION	QTY						I	R
				(A)	(B)	(C)	(D)	(E)	(F)		
1	1	26106-100402	BOLT M10X 40 PLATED	2	2						
2	1	119668-77019	STARTER, 0.9KW	1	1						
2-1	1	119865-77013	STARTER	1	1						N
2A	2	X2114274200 (A=E85534) (B=E90917)	COVER, TERMINAL	1	1						W
2B	2	X2114715500 (A=E85534) (B=E90917)	STOPPER SET, PINION	1	1						W
2C	2	X2114676180	SWITCH, MAGNET	1	1						W
2D	2	X2114811000 (A=E85534) (B=E90917)	WASHER KIT, THRUST	1	1						W
2E	2	114371-77110 (A=E85534) (B=E90917)	ARMATURE	1	1						W
2F	2	114371-77140 (A=E85534) (B=E90917)	COVER ASSY, REAR	1	1						W
2G	2	114371-77160 (A=E85534) (B=E90917)	HOLDER ASSY, BRUSH	1	1						W
2H	3	114371-79040 (A=E85534) (B=E90917)	BRUSH (-)	2	2						W
2J	3	114371-79050 (A=E85534) (B=E90917)	BRUSH (+)	1	1						W
2K	3	114371-79060 (A=E85534) (B=E90917)	SPRING, BRUSH	4	4						W
2L	2	114371-77170 (A=E85534) (B=E90917)	COVER KIT, DUST	1	1						W
2M	2	114371-77180 (A=E85534) (B=E90917)	SHIFT LEVER KIT	1	1						W
2N	2	124097-77710 (A=E85534) (B=E90917)	YOKE ASSY.	1	1						W
2P	2	119865-77760 (A=E85534) (B=E90917)	CASE COMP.,GEAR	1	1						W
2Q	2	124195-77770 (A=E85534) (B=E90917)	THROUGH BOLT	2	2						W
2R	2	119865-77780 (A=E85534) (B=E90917)	PINION COMPL.	1	1						W
2T	2	114371-79070 (A=E85534) (B=E90917)	BOLT M 6X 37	2	2						W
3	1	119626-77900 (A=E85534) (B=E90917)	HARNESS, WIRE	1	1						W

Remarks  
(REMARKS)"EFFECTIVE MACHINE NO." OF  
ENGINE IS INDICATED ON THE  
ENGINE LABEL WHICH IS SHOWN  
IN FIG.4.

Fig.16. GENERATOR



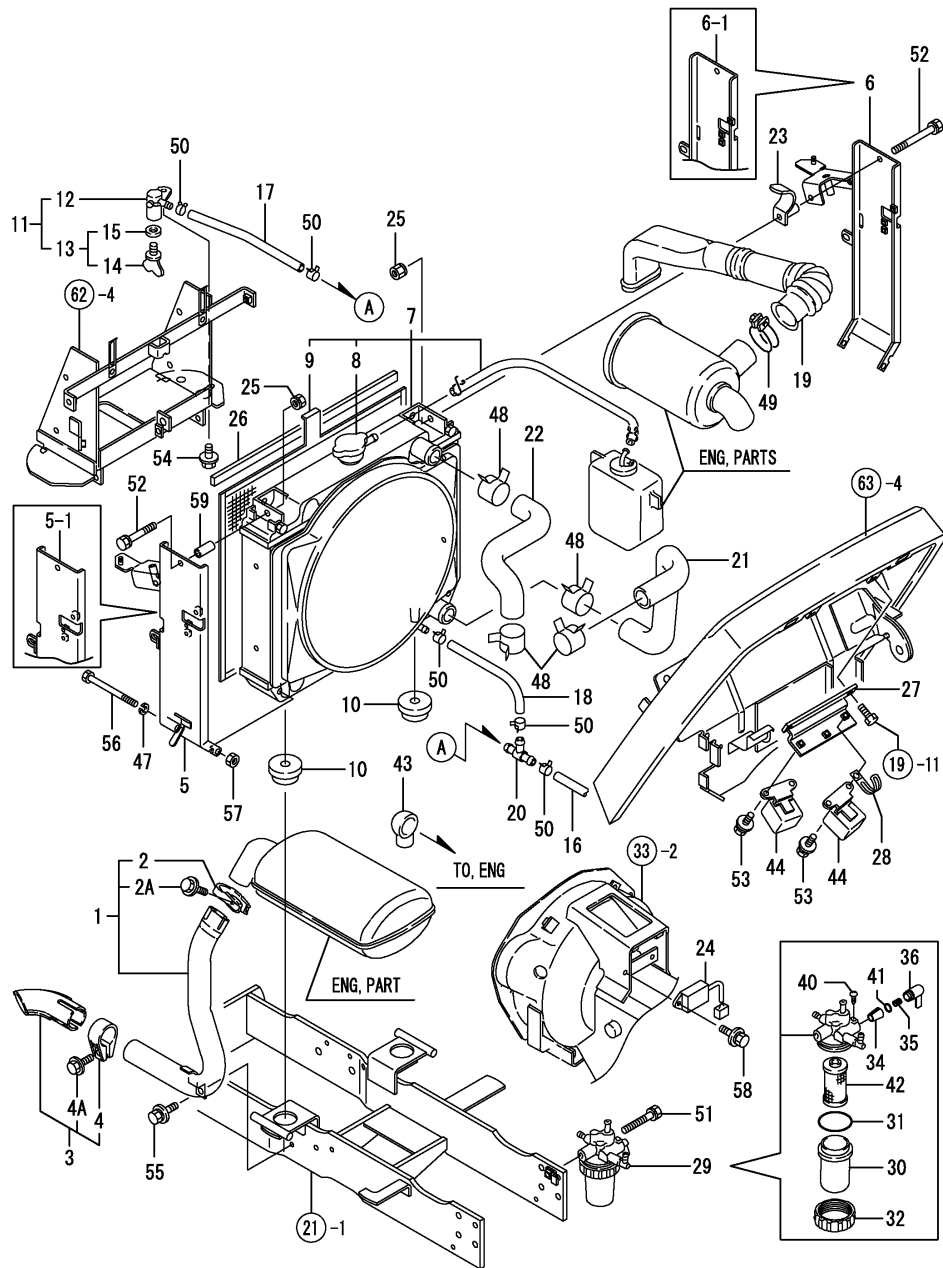
(A)=3TN66-UTR  
(B)=3TNE68-UTR  
(C)=

(D)=  
(E)=  
(F)=

REF.	LEV.	PARTS NO.	DESCRIPTION	QTY						I	R
				(A)	(B)	(C)	(D)	(E)	(F)		
1	1	26106-080162	BOLT M 8X 16 PLATED	1	1						
2	1	119620-77201	GENERATOR	1	1						
3	2	X9490561001	NUT	1	1						
4	2	119620-77380	ROTOR ASSY	1	1						
5	3	119620-79240	BALL BEARING	1	1						
5-1	3	123501-79240	BEARING, BALL	1	1						N
		(A=EXXX) (B=EXXX)									
6	3	119620-79250	COVER, BEARING	1	1						
7	3	119620-79360	THRUST WASHER	1	1						
8	2	119620-77421	FLAME ASSY, DRIVE	1	1						
9	3	119620-79200	BALL BEARING	1	1						
10	3	119620-79210	PLATE	1	1						
11	3	119620-79220	SCREW	4	4						
12	3	119620-79230	BOLT, STUD	2	2						
13	2	119620-77440	FLAME ASSY, REAR	1	1						
14	2	119620-77450	COVER	1	1						
15	2	119620-77461	PULLEY	1	1						
16	2	119620-77471	NUT	1	1						
17	2	119620-77710	REGULATOR ASSY	1	1						
18	2	119620-79260	HOLDER	1	1						
19	2	119620-79270	HOLDER, BRUSH	1	1						
20	3	119620-77480	BRUSH ASSY	2	2						
21	3	119620-79280	SPRING	2	2						
22	2	119620-79290	SCREW	6	6						
23	2	119620-79300	SCREW	1	1						
24	2	119620-79310	BOLT	3	3						
25	2	119620-79320	SCREW W/WASHER	2	2						
26	2	119620-79330	BOLT	2	2						
27	2	119620-79340	INSULATION BUSH	1	1						
28	2	119620-79350	NUT	2	2						
29	2	119620-77490	COLLAR	1	1						
30	1	26106-100452	BOLT M10X 45 PLATED	1	1						
31	1	119650-77330	ADJUSTER, V-BELT	1	1						
32	1	26014-080252	BOLT M 8X 25	1	1						

Remarks  
(REMARKS)"EFFECTIVE MACHINE NO." OF  
ENGINE IS INDICATED ON THE  
ENGINE LABEL WHICH IS SHOWN  
IN FIG.4.

Fig.17. ENGINE ACCESSORIES



OCNP3-G97000 17. ENGINE ACCESSORIES

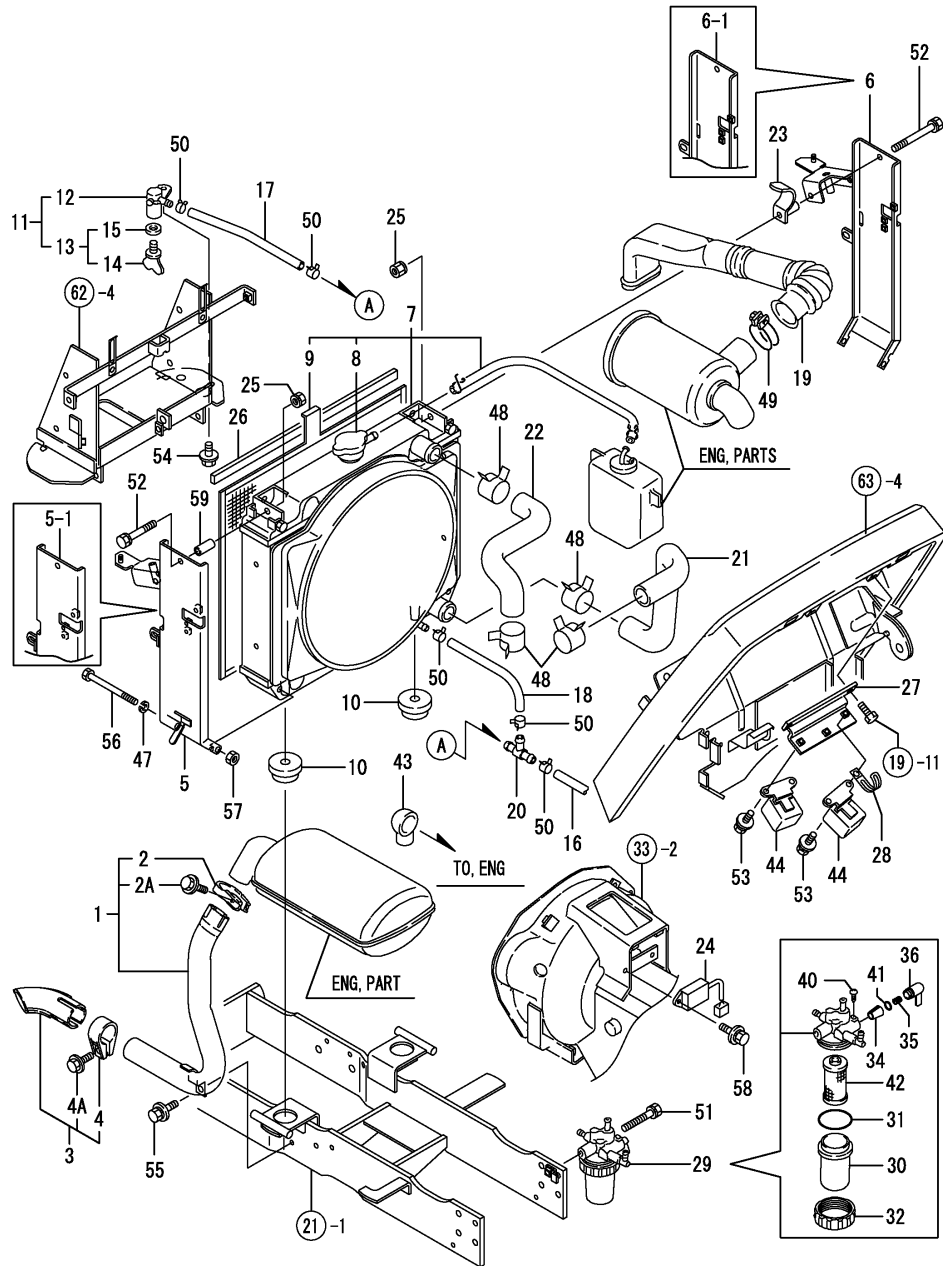
(A)=KE-140  
(B)=KE-160  
(C)=

(D)=  
(E)=  
(F)=

REF.	LEV.	PARTS NO.	DESCRIPTION	QTY						I	R
				(A)	(B)	(C)	(D)	(E)	(F)		
1	1	198162-00510	PIPE,EXHAUST	1	1						
2	2	119650-13620	CLAMP, EXHAUST PIPE	1	1						
2A	2	26106-080252	BOLT M 8X 25 PLATED	1	1						W
				(A)=FXXXXX	(B)=FXXXXX						
3	1	198162-00520	EXTENSION,END	1	1						
4	2	119650-13620	CLAMP, EXHAUST PIPE	1	1						
4A	2	26106-080252	BOLT M 8X 25 PLATED	1	1						W
				(A)=FXXXXX	(B)=FXXXXX						
5	1	198163-00580	SUPPORT ASSY, L	1	1						
5-1	1	198163-00581	SUPPORT ASSY, L	1	1						S
				(A)=F110170	(B)=F110222						
6	1	198163-00590	SUPPORT ASSY, R	1	1						
6-1	1	198163-00591	SUPPORT ASSY, R	1	1						S
				(A)=F110170	(B)=F110222						
7	1	198162-00601	RADIATOR	1	1						
8	2	129107-44590	CAP, RADIATOR	1	1						
9	2	198162-00860	SCREEN,DESTPROOF	1	1						
10	1	198162-00640	SUPPORT	2	2						
11	1	198421-00640	COCK COMP.,2-WAY	1	1						
12	2	198421-00650	BODY,2-WAY COCK	1	1						
13	2	129150-49080	COCK, DRAIN	1	1						
14	3	119629-49070	COCK, DRAIN	1	1						
15	3	119629-49080	GASKET	1	1						
16	1	198162-00660	PIPE 350,WATER DRAIN	1	1						
17	1	198162-00670	PIPE 250,WATER DRAIN	1	1						
18	1	198421-00670	PIPE B,DRAIN	1	1						
19	1	198421-00681	PIPE,SUC.EXTENSION	1	1						
20	1	198162-00710	PIPE,3-WAY	1	1						
21	1	198162-00720	PIPE L 66,COOL.WATER	1	1						
22	1	198162-00730	PIPE U 66,COOL.WATER	1	1						
23	1	198163-00770	STAY,SUC.EXTENS.PIPE	1	1						
24	1	1E8665-05100	UNIT TIMER	1	1						
25	1	194990-22050	NUT W/WASHER 8	2	2						
26	1	121454-44590	PAD	1	1						
27	1	198163-51310	STAY, RELAY	1	1						
28	1	194440-51630	CLAMP, WIRE HARNESS	1	1						
29	1	119462-55620	STRAINER, FUEL	1	1						
30	2	124064-55510	BOWL, FUEL STRAINER	1	1						
31	2	102103-55520	O-RING	1	1						
32	2	110250-55610	RING, RETAINING	1	1						
34	2	104200-55321	VALVE, TAPER	1	1						
35	2	104200-55330	SPRING, TAPER VALVE	1	1						
36	2	119810-55340	LEVER	1	1						
40	2	104200-55750	SCREW M 4	1	1						
41	2	24311-240100	O-RING 1A P-10A	1	1						
42	2	104500-55710	ELEMENT, FUEL	1	1						
43	1	124160-77020	COVER, TERMINAL	1	1						
44	1	119650-77910	RELAY, GROW	2	2						
47	1	22287-080000	LOCKING WASHER	2	2						
48	1	175022-49730	CRIP 31, HOSE	4	4						
49	1	23010-050000	CLAMP 50	1	1						

N:Old  $\begin{matrix} \leftarrow \text{Yes} \\ \text{No} \end{matrix}$  New, Q:Old  $\begin{matrix} \leftarrow \text{No} \\ \text{Yes} \end{matrix}$  New, R:Old  $\begin{matrix} \leftarrow \text{Yes} \\ \text{No} \end{matrix}$  New, S:Old  $\begin{matrix} \leftarrow \text{No} \\ \text{Yes} \end{matrix}$  New, W:Add, Z:Discontinued, F:Interchangeable by set, K:Q'ty Change  
 ++ CONTINUE ++  
 (C)Copy Rights YANMAR CO.,LTD.

Fig.17. ENGINE ACCESSORIES



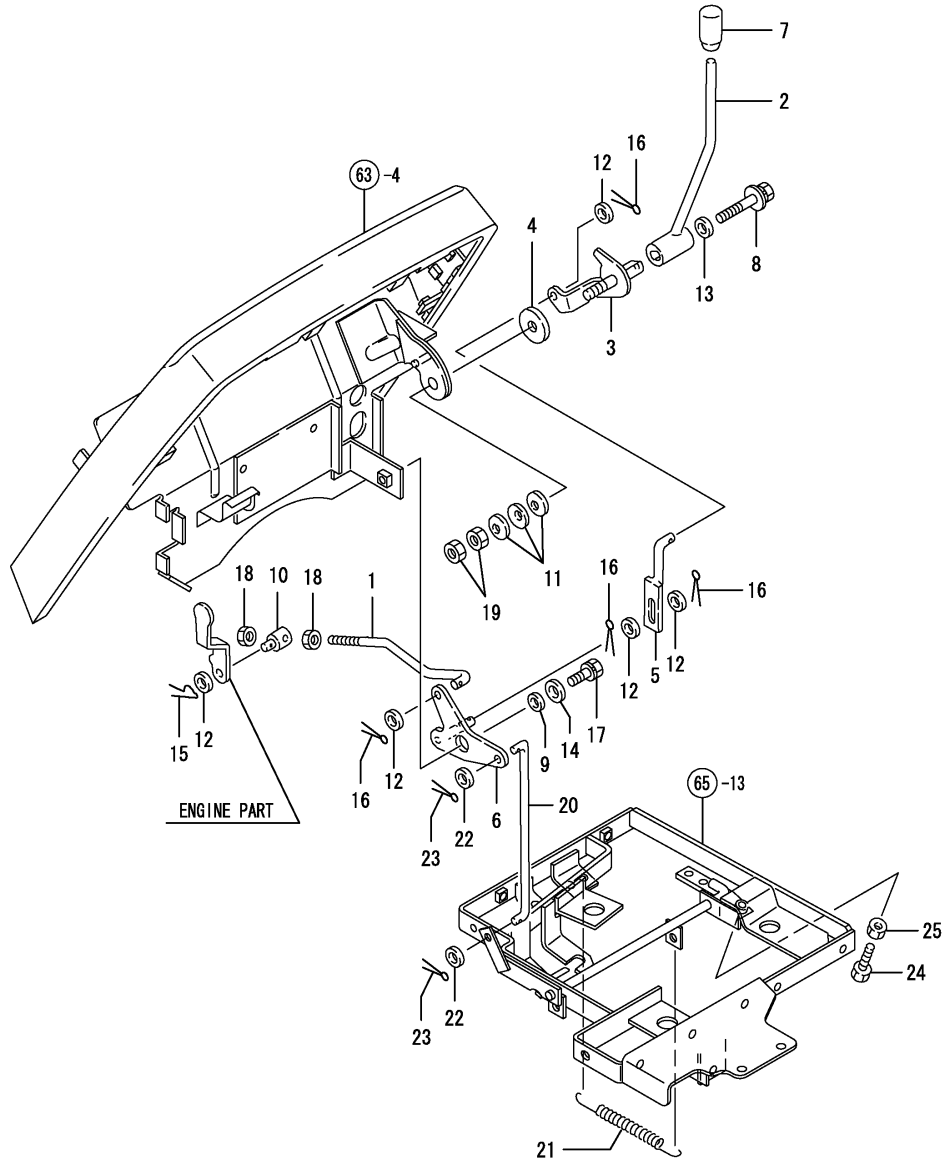
(A)=KE-140  
(B)=KE-160  
(C)=

(D)=  
(E)=  
(F)=

REF.	LEV.	PARTS NO.	DESCRIPTION	Q'TY						I	R
				(A)	(B)	(C)	(D)	(E)	(F)		
50	1	23080-012000	CLAMP 12	6	6						
51	1	26013-080652	BOLT M 8X 65	1	1						
52	1	26016-080502	BOLT M 8X 50	2	2						
53	1	26018-060162	BOLT M6X16	3	3						
54	1	26018-080162	BOLT M 8X 16	1	1						
55	1	26018-080202	BOLT M 8X 20	1	1						
56	1	26116-081052	BOLT M 8X105 PLATED	2	2						
57	1	26716-080002	NUT M 8	2	2						
58	1	26018-060162	BOLT M6X16	1	1						
59	1	198162-00770	PIPE 30	1	1						



Fig.18. ACCEL LEVER



(A)=KE-140  
(B)=KE-160  
(C)=

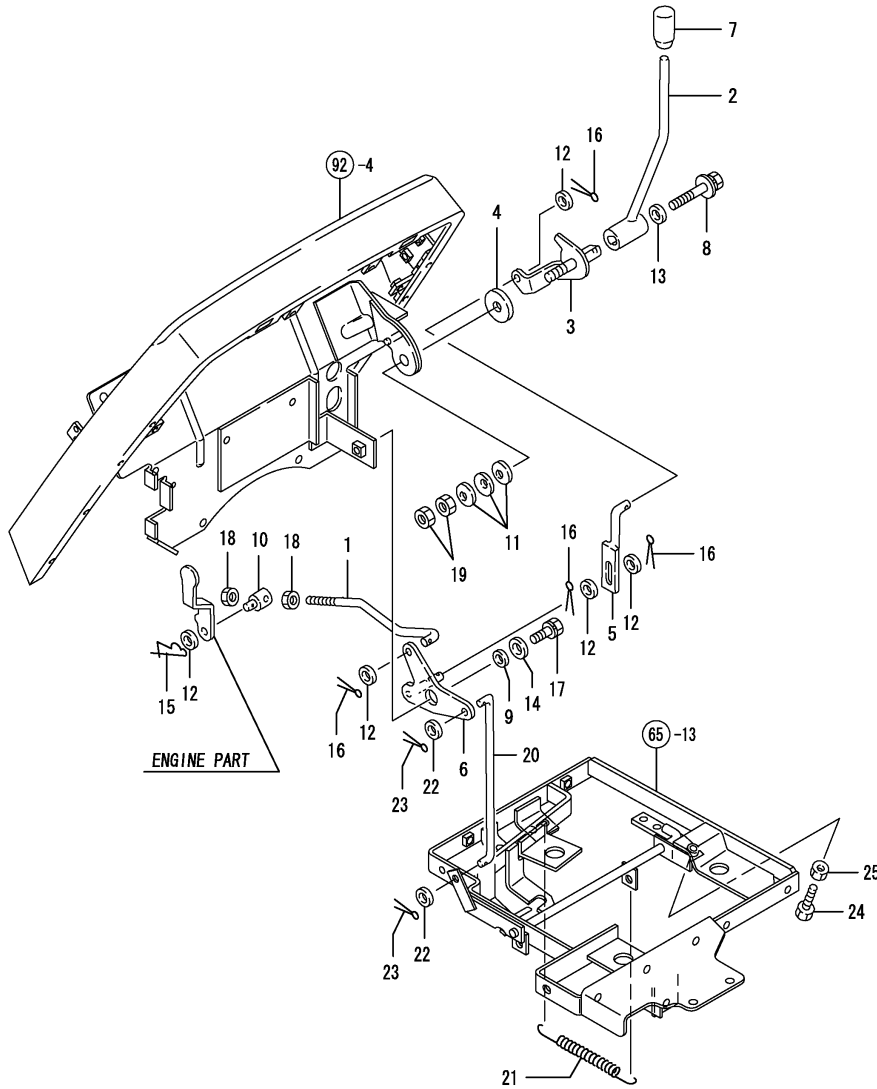
(D)=  
(E)=  
(F)=

REF.	LEV.	PARTS NO.	DESCRIPTION	QTY						I	R
				(A)	(B)	(C)	(D)	(E)	(F)		
1	1	198163-00850	LINK, ACCELERATOR	1	1						
2	1	198421-01110	LEVER,ACCELERATOR	1	1						
3	1	198421-01120	SHAFT,ACCELERATOR	1	1						
4	1	198165-01130	PLATE, FRICTION	1	1						
5	1	198421-01130	LINK,ACCELERAT.LEVER	1	1						
6	1	198421-01140	PLATE,ACCELERAT.LOCK	1	1						
7	1	194150-01190	KNOB, THROTTLE LEVER	1	1						
7-1	1	1A6750-37200	KNOB, PARKING BRAKE	1	1						N
		(A=F110221) (B=F110251)									
8	1	198421-01250	BOLT 6X40	1	1						
9	1	194150-01270	SPACER 20	1	1						
10	1	194150-01370	ADJUSTER	1	1						
11	1	194151-47760	WASHER 12	3	3						
12	1	22117-080000	WASHER 8	5	5						
13	1	22157-060000	WASHER 6	1	1						
14	1	22157-100000	WASHER 10	1	1						
15	1	22372-080000	SNAP PIN (JASO 8)	1	1						
16	1	22417-160160	COTTER PIN 1.6X16	4	4						
17	1	26016-100202	BOLT	1	1						
18	1	26716-080002	NUT M 8	2	2						
19	1	26716-120002	NUT 12	2	2						
20	1	198162-01210	ROD, FOOT AXLE	1	1						
21	1	198421-01220	SPRING,FT.ACCEL.RTRN	1	1						
22	1	22117-080000	WASHER 8	2	2						
23	1	22417-160160	COTTER PIN 1.6X16	2	2						
24	1	26116-080402	BOLT M 8X 40 PLATED	1	1						
25	1	26716-080002	NUT M 8	1	1						

Fig.75. ACCEL LEVER(ADD.

(A)=KE-140  
(B)=KE-160  
(C)=

(D)=  
(E)=  
(F)=



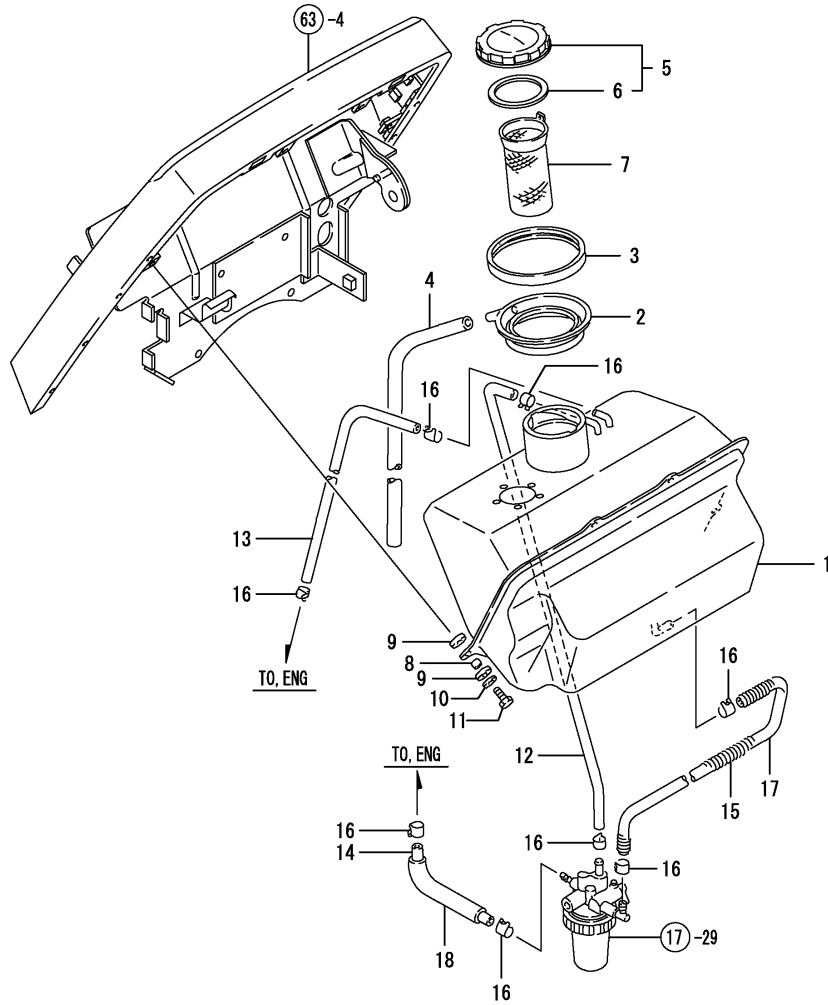
REF.	LEV.	PARTS NO.	DESCRIPTION	QTY						I	R
				(A)	(B)	(C)	(D)	(E)	(F)		
1	1	198163-00850	LINK, ACCELERATOR	1	1						
2	1	198421-01110	LEVER, ACCELERATOR	1	1						
3	1	198421-01120	SHAFT, ACCELERATOR	1	1						
4	1	198165-01130	PLATE, FRICTION	1	1						
5	1	198421-01130	LINK, ACCELERAT.LEVER	1	1						
6	1	198421-01140	PLATE, ACCELERAT.LOCK	1	1						
7	1	1A6750-37200	KNOB, PARKING BRAKE	1	1						
8	1	198421-01250	BOLT 6X40	1	1						
9	1	194150-01270	SPACER 20	1	1						
10	1	194150-01370	ADJUSTER	1	1						
11	1	194151-47760	WASHER 12	3	3						
12	1	22117-080000	WASHER 8	5	5						
13	1	22157-060000	WASHER 6	1	1						
14	1	22157-100000	WASHER 10	1	1						
15	1	1C6281-52320	PIN 8, COME-OFF SNAP	1	1						
16	1	22417-160160	COTTER PIN 1.6X16	4	4						
17	1	26016-100202	BOLT	1	1						
18	1	26716-080002	NUT M 8	2	2						
19	1	26716-120002	NUT 12	2	2						
20	1	198162-01210	ROD, FOOT AXLE	1	1						
21	1	198421-01220	SPRING, FT.ACCEL.RTRN	1	1						
22	1	22117-080000	WASHER 8	2	2						
23	1	22417-160160	COTTER PIN 1.6X16	2	2						
24	1	26116-080402	BOLT M 8X 40 PLATED	1	1						
25	1	26716-080002	NUT M 8	1	1						

Remarks  
\* FIGURE FOR POWER STEERING TYPE

Fig.19. FUEL TANK

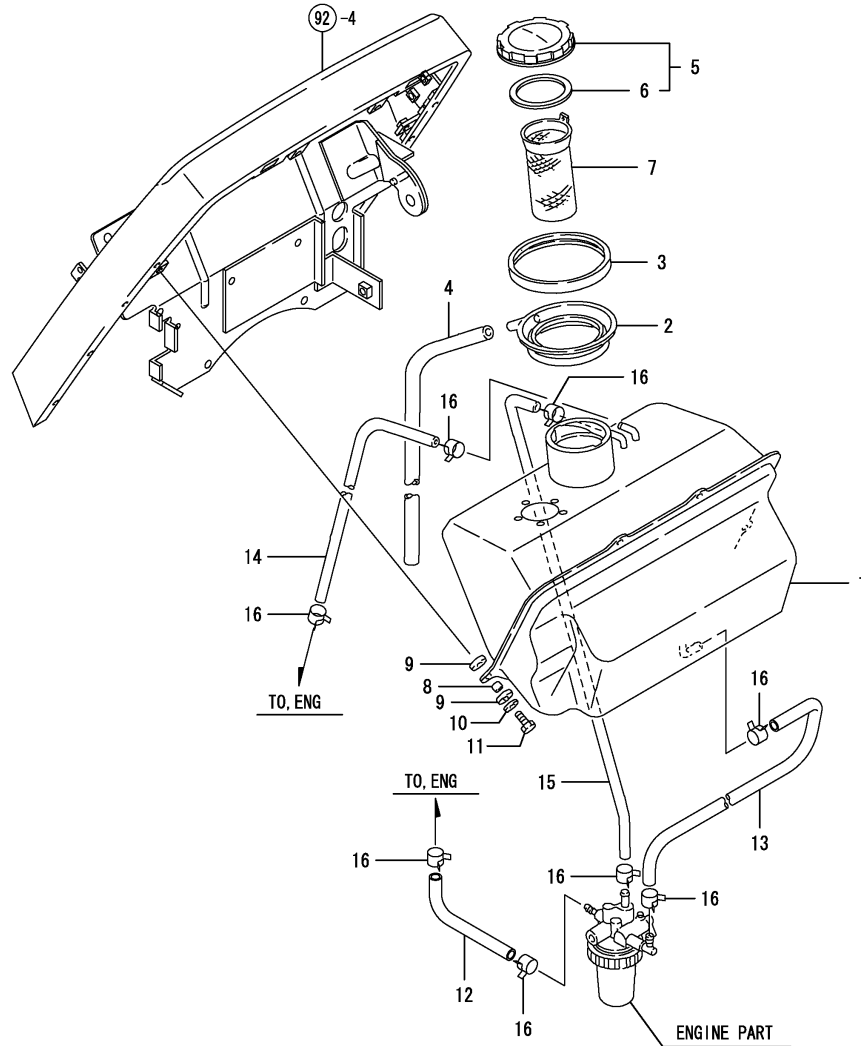
(A)=KE-140  
(B)=KE-160  
(C)=

(D)=  
(E)=  
(F)=



REF.	LEV.	PARTS NO.	DESCRIPTION	QTY						I	R
				(A)	(B)	(C)	(D)	(E)	(F)		
1	1	198162-04111	TANK,FUEL OIL	1	1						
2	1	194940-04240	PAN,FUEL TANK CATCH	1	1						
3	1	194940-04250	PACKING,FUEL CAT.PAN	1	1						
4	1	198421-04430	PIPE,FUEL OIL PAN	1	1						
5	1	198163-04500	CAP,FUEL CMP	1	1						
6	2	198163-04510	SEAL	1	1						
7	1	101504-55101	STRAINER,FUEL INLET	1	1						
8	1	194215-04220	SPACER 8X10X10	4	4						
9	1	194420-62260	RUBBER, CUSHION	8	8						
10	1	22157-060000	WASHER 6	4	4						
11	1	26116-060252	BOLT 6X25	4	4						
12	1	198421-04400	HOSE,AIR VENT FUEL	1	1						
13	1	198421-04410	HOSE,FUEL UPPER	1	1						
14	1	198421-04420	HOSE,FUEL LOWER	1	1						
15	1	194215-04430	PROTECTOR	1	1						
16	1	194300-04440	CLAMP 10.5	8	8						
17	1	198421-04440	HOSE 7X450,FUEL	1	1						
18	1	198421-04450	TUBE 13X100	1	1						

Fig.76. FUEL TANK(ADD.)



0CNP3-G97000 76. FUEL TANK(ADD.)

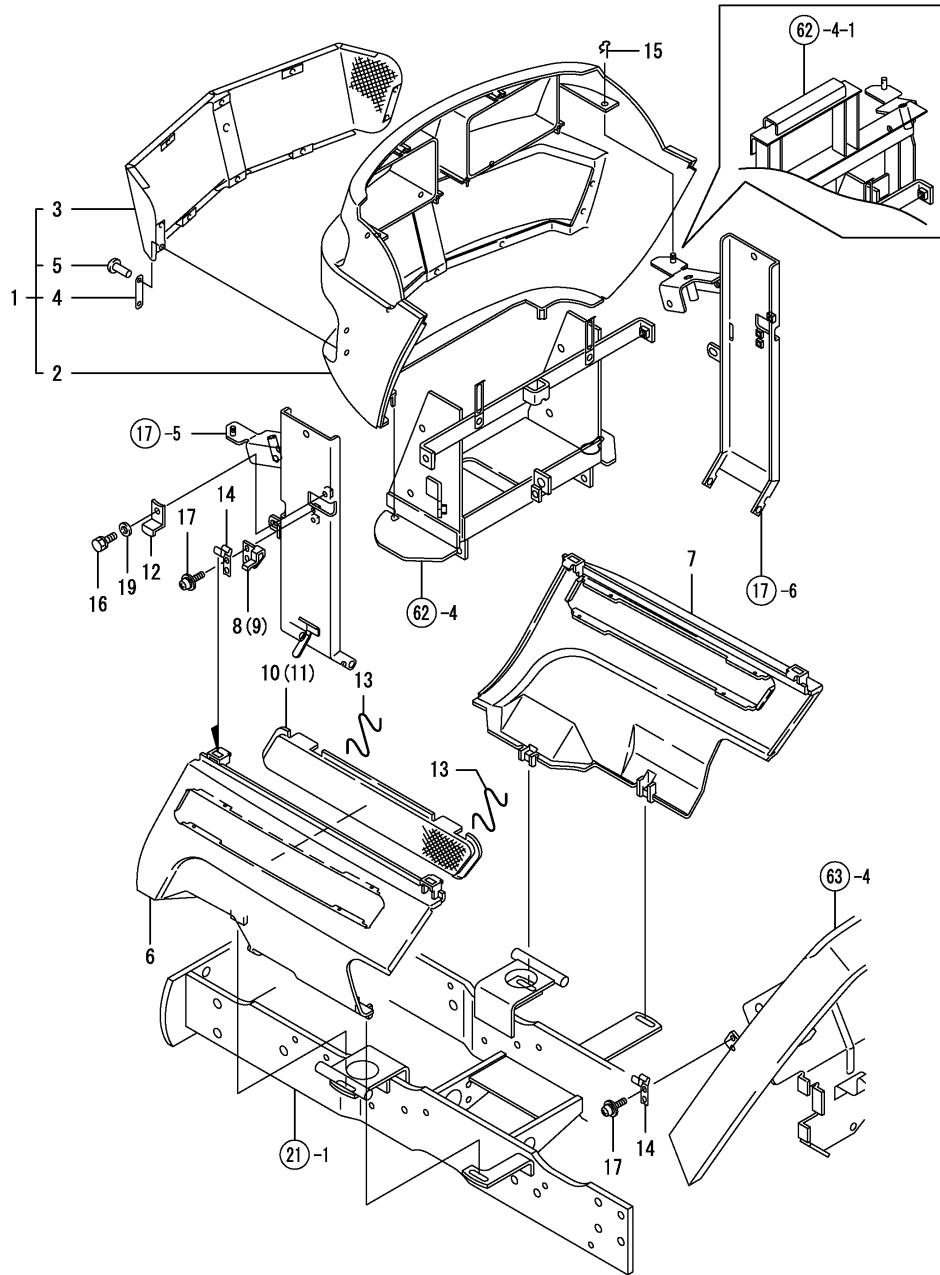
(A)=KE-140  
(B)=KE-160  
(C)=

(D)=  
(E)=  
(F)=

REF.	LEV.	PARTS NO.	DESCRIPTION	Q'TY						I	R
				(A)	(B)	(C)	(D)	(E)	(F)		
1	1	198162-04111	TANK,FUEL OIL	1	1						
2	1	194940-04240	PAN,FUEL TANK CATCH	1	1						
3	1	194940-04250	PACKING,FUEL CAT.PAN	1	1						
4	1	198421-04430	PIPE,FUEL OIL PAN	1	1						
5	1	198163-04500	CAP,FUEL CMP	1	1						
6	2	198163-04510	SEAL	1	1						
7	1	101504-55101	STRAINER,FUEL INLET	1	1						
8	1	194215-04220	SPACER 8X10X10	4	4						
9	1	194420-62260	RUBBER, CUSHION	8	8						
10	1	22157-060000	WASHER 6	4	4						
11	1	26116-060252	BOLT 6X25	4	4						
12	1	23980-730220	PIPE	1	1						
13	1	23980-730450	FUEL PIPE 7.3X450	1	1						
14	1	23980-730500	FUEL PIPE 7.3X500	1	1						
15	1	23980-730600	FUEL PIPE 7.3X600	1	1						
16	1	23080-012000	CLAMP 12	8	8						

Remarks  
\* FIGURE FOR POWER STEERING TYPE

Fig.20. SIDE COVER



(A)=KE-140  
(B)=KE-160  
(C)=

(D)=  
(E)=  
(F)=

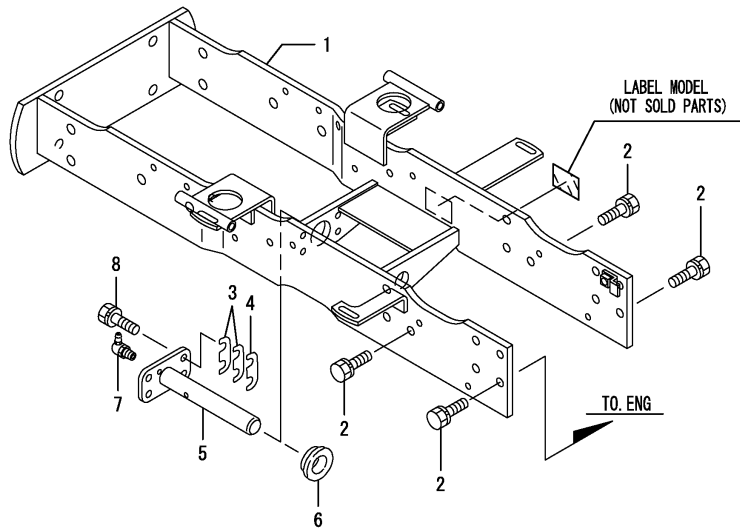
REF.	LEV.	PARTS NO.	DESCRIPTION	QTY						I	R
				(A)	(B)	(C)	(D)	(E)	(F)		
1	1	198163-05300	GRILLE, FRONT CMP	1	1						
2	2	198163-05310	GRILLE, FRONT	1	1						
3	2	1A6640-05510	NET,FRONT GRILL COMP	1	1						
4	2	1A6640-05560	PLATE, KEEP	2	2						
5	2	22695-320801	RIVET B 3.2X8.0	10	10						
6	1	798163-05380	COVER ASSY,LOWER L	1	1						
6-1	1	1A7740-05330	COVER(M CMP, LOWER L	1	1						N
		(A=F110231) (B=F110297)									
7	1	798163-05370	COVER ASSY,LOWER R	1	1						
7-1	1	1A7740-05340	COVER(M CMP, LOWER R	1	1						N
		(A=F110231) (B=F110297)									
8	1	198162-05380	HOLDER L,LOWER COVER	1	1						
8-1	1	198162-05381	HOLDER L,LOWER COVER	1	1						N
		(A=FXXXXX) (B=FXXXXX)									
9	1	198162-05390	HOLDER R,LOWER COVER	1	1						
9-1	1	198162-05391	HOLDER R,LOWER COVER	1	1						N
		(A=FXXXXX) (B=FXXXXX)									
10	1	198162-05430	NET L COMP.,LC	1	1						
11	1	198162-05440	NET R COMP.,LC	1	1						
12	1	198163-05450	PLATE, KEEP	2	2						
12-1	1	198163-05451	PLATE, KEEP	2	2						N
		(A=F110066) (B=F110041)									
13	1	198162-05480	CLIP,NET	4	4						
14	1	198162-05490	SPRING,HOOK	4	4						
14-1	1	198162-05491	SPRING,HOOK	4	4						N
		(A=FXXXXX) (B=FXXXXX)									
15	1	198165-61400	PIN	2	2						
16	1	26016-060122	BOLT M 6X 12	2	2						
17	1	26023-050122	SCREW M 5X 12	8	8						
17-1	1	26023-050162	SCREW M 5X 16	8	8						N
		(A=FXXXXX) (B=F110495)									
18-1	1	198162-05461	STAY,LCF	2	2						N
		(A=FXXXXX) (B=FXXXXX)									
18-2	1	198162-05462	STAY,LCF	2	2						N
		(A=FXXXXX) (B=FXXXXX)									
19	1	22137-060000	WASHER 6, POLISHED	2	2						W
		(A=F110170) (B=F110089)									

Fig.21. FRONT BRACKET

(A)=KE-140  
(B)=KE-160  
(C)=

(D)=  
(E)=  
(F)=

REF.	LEV.	PARTS NO.	DESCRIPTION	Q'TY						I	R
				(A)	(B)	(C)	(D)	(E)	(F)		
1	1	798163-11110	BRACKET ASSY, AXLE	1	1						
2	1	26013-100252	BOLT W/WASHER M10X25	14	14						
3	1	194301-11340	SHIM T=0.2	4	4						1
4	1	194301-11350	SHIM T=0.5	2	2						1
5	1	198162-11510	PIN,CENTER	1	1						
6	1	194215-11540	BUSH	1	1						
7	1	198435-16230	GREASE FITTING	1	1						
8	1	26013-080202	BOLT W/WASHER M8X20	4	4						



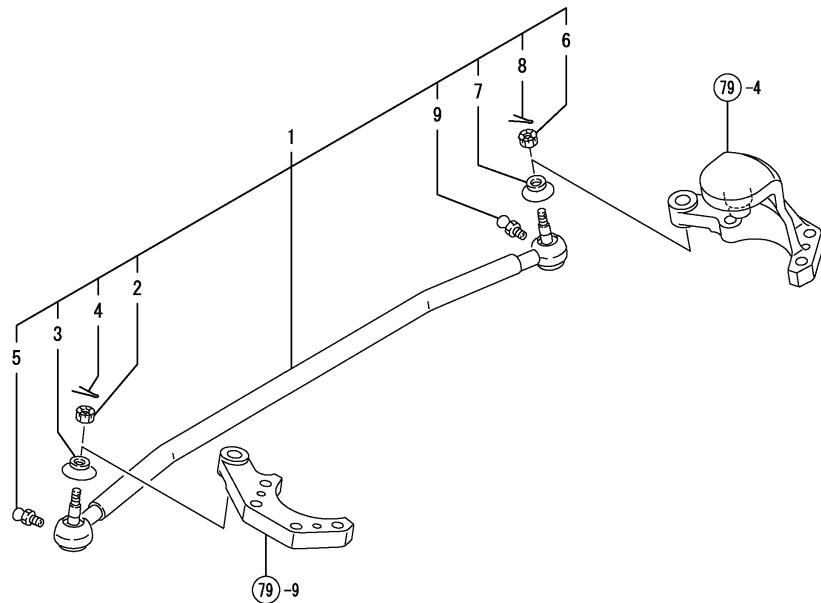
Remarks  
(1) SERECT PARTS



Fig.77. TIE ROD(ADD.)

(A)=KE-140  
(B)=KE-160  
(C)=

(D)=  
(E)=  
(F)=

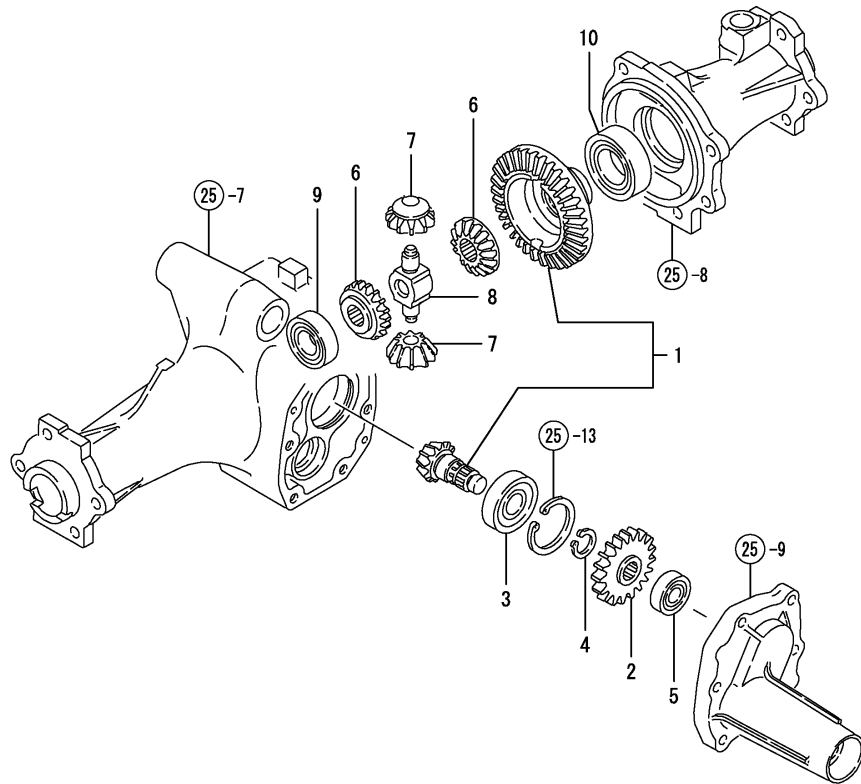


REF.	LEV.	PARTS NO.	DESCRIPTION	Q'TY						I	R
				(A)	(B)	(C)	(D)	(E)	(F)		
1	1	198164-12310	ROD COMP.,TIE	1	1						
2	2	194215-12341	NUT	1	1						
3	2	194300-13340	COVER,DUST	1	1						
4	2	22417-250250	COTTER PIN 2.5X25	1	1						
5	2	24761-060000	NIPPLE MT6X1, GREASE	1	1						
6	2	194215-12341	NUT	1	1						
7	2	194300-13340	COVER,DUST	1	1						
8	2	22417-250250	COTTER PIN 2.5X25	1	1						
9	2	24761-060000	NIPPLE MT6X1, GREASE	1	1						

Remarks  
\* FIGURE FOR POWER STEERING TYPE



Fig.23. DRIVE PINION



0CNP3-G97000 23. DRIVE PINION

(A)=KE-140  
(B)=KE-160  
(C)=

(D)=  
(E)=  
(F)=

REF.	LEV.	PARTS NO.	DESCRIPTION	Q'TY						I	R
				(A)	(B)	(C)	(D)	(E)	(F)		
1	1	198165-13101	PINION, DRIVE KIT	1	1						
2	1	198421-13120	GEAR 25T,FRONT	1	1						
3	1	194447-13860	BALL BEARING	1	1						
4	1	22242-000200	CIRCLIP 20	1	1						
5	1	24101-062024	BALL BEARING	1	1						
6	1	198421-13221	GEAR,DIFF.SIDE	2	2						
7	1	1A7050-13230	GEAR,DIFF PINION	2	2						
8	1	198421-13240	SHAFT,DIFF.PINION	1	1						
9	1	24101-060054	BALL BEARING 6005	1	1						
10	1	24101-060074	BALL BEARING	1	1						



Fig.25. FRONT AXLE CASE

(A)=KE-140  
(B)=KE-160  
(C)=

(D)=  
(E)=  
(F)=

REF.	LEV.	PARTS NO.	DESCRIPTION	QTY						I	R
				(A)	(B)	(C)	(D)	(E)	(F)		
1	1	198421-13510	SHAFT L,FRONT 1ST	1	1						
2	1	198421-13520	SHAFT R,FRONT 1ST	1	1						
3	1	198421-13530	GEAR,FRNT.1/2 SHAFT	2	2						
4	1	24101-063044	BALL BEARING	2	2						
5	1	194200-11570	BUSH	2	2						
6	1	194447-13490	CAP W/DIPSTICK	1	1						
7	1	198425-13610	CASE L,FRONT AXLE	1	1						
8	1	198425-13620	CASE R,FRONT AXLE	1	1						
9	1	198421-13630	COVER,FRNT.AXLE CASE	1	1						
10	1	198421-13650	WASHER 25X34X1.2	1	1						
11	1	1C6900-23120	BOLT M14X10,DRAIN	1	1						
12	1	1C6900-23150	WASHER	1	1						
13	1	22252-000520	CIRCLIP 52	1	1						
14	1	22351-060020	SPRING PIN 6X20	2	2						
15	1	24311-000180	O-RING 1A P-18.0	1	1						
16	1	24321-000500	O-RING 1A G-50.0	2	2						
17	1	24321-001150	O-RING 1A G-115.0	1	1						
18	1	24421-173007	SEAL TC17 30 07, OIL	1	1						
19	1	26013-100302	BOLT M10X 30	6	6						
20	1	26016-080302	BOLT M 8X 30	6	6						

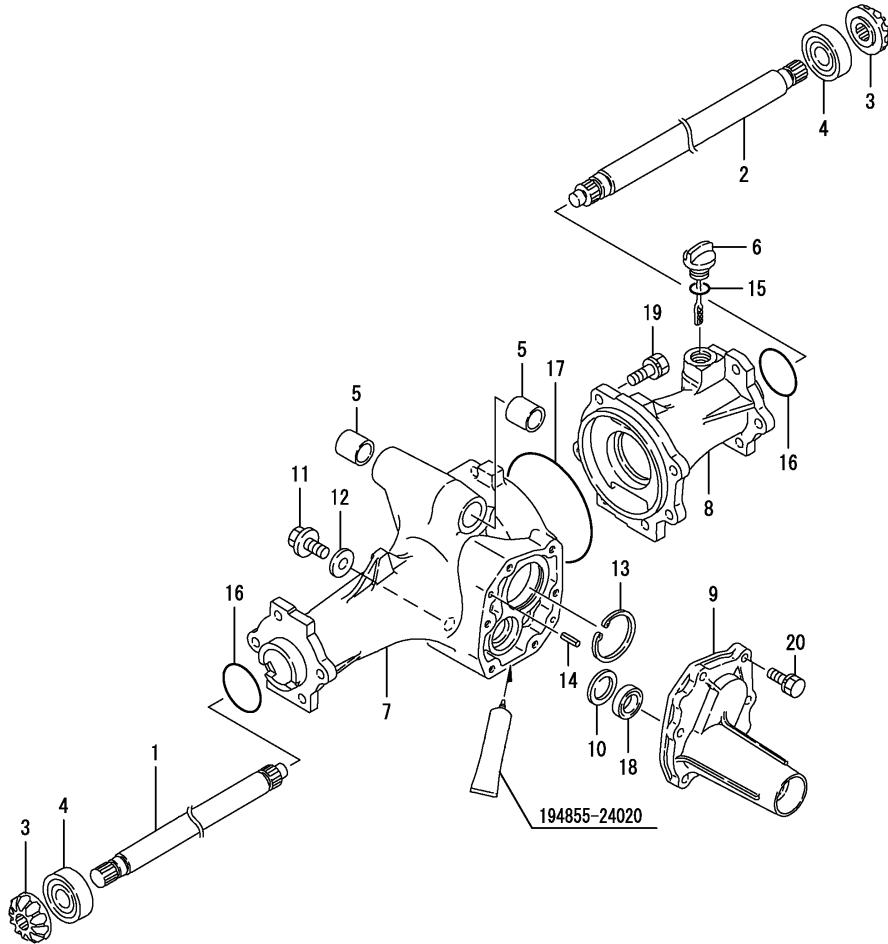
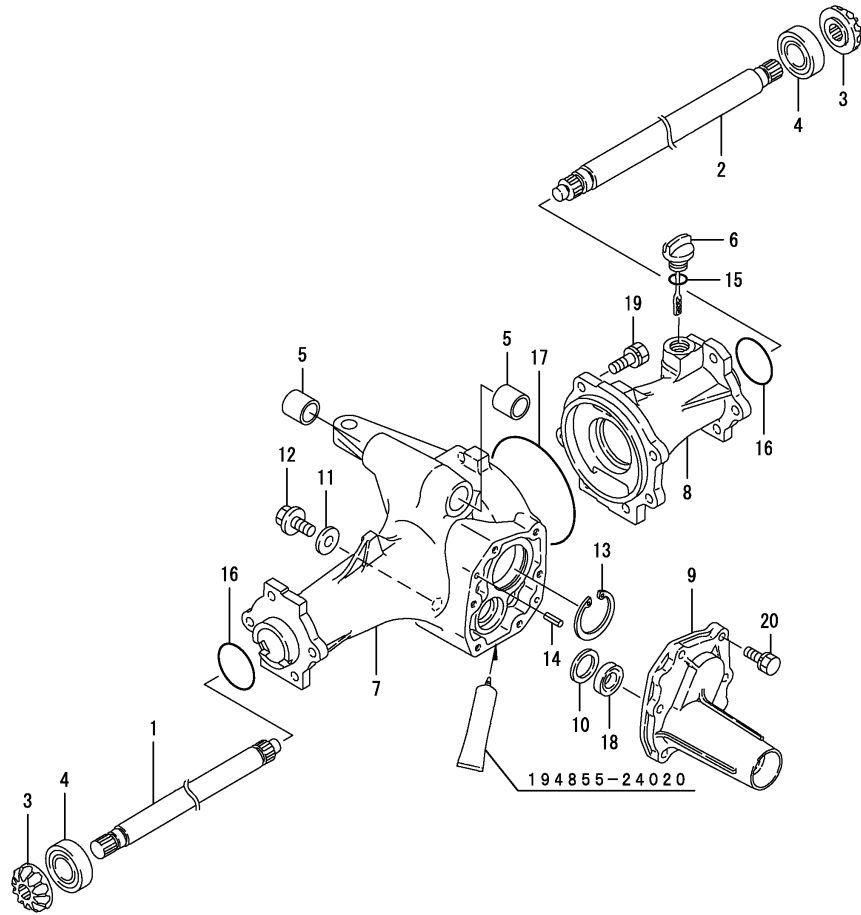


Fig.78. FRONT AXLE CASE(ADD.



(A)=KE-140  
(B)=KE-160  
(C)=

(D)=  
(E)=  
(F)=

REF.	LEV.	PARTS NO.	DESCRIPTION	QTY						I	R
				(A)	(B)	(C)	(D)	(E)	(F)		
1	1	198421-13510	SHAFT L,FRONT 1ST	1	1						
2	1	198421-13520	SHAFT R,FRONT 1ST	1	1						
3	1	198421-13530	GEAR,FRNT.1/2 SHAFT	2	2						
4	1	24101-063044	BALL BEARING	2	2						
5	1	194200-11570	BUSH	2	2						
6	1	194447-13490	CAP W/DIPSTICK	1	1						
7	1	198164-13610	CASE L,FRONT AXLE	1	1						
8	1	198425-13620	CASE R,FRONT AXLE	1	1						
9	1	198421-13630	COVER,FRNT.AXLE CASE	1	1						
10	1	198421-13650	WASHER 25X34X1.2	1	1						
11	1	198165-24440	GASKET(20*12*2	1	1						
12	1	198165-24490	BOLT M 12X 12 PLATED	1	1						
13	1	22252-000520	CIRCLIP 52	1	1						
14	1	22351-060020	SPRING PIN 6X20	2	2						
15	1	24311-000180	O-RING 1A P-18.0	1	1						
16	1	24321-000500	O-RING 1A G-50.0	2	2						
17	1	24321-001150	O-RING 1A G-115.0	1	1						
18	1	24421-173007	SEAL TC17 30 07, OIL	1	1						
19	1	26013-100302	BOLT M10X 30	6	6						
19-1	1	26106-100302	BOLT M10X 30 PLATED	6	6						R
		(A=*2009.03.) (B=*2009.03.)									
20	1	26016-080302	BOLT M 8X 30	6	6						

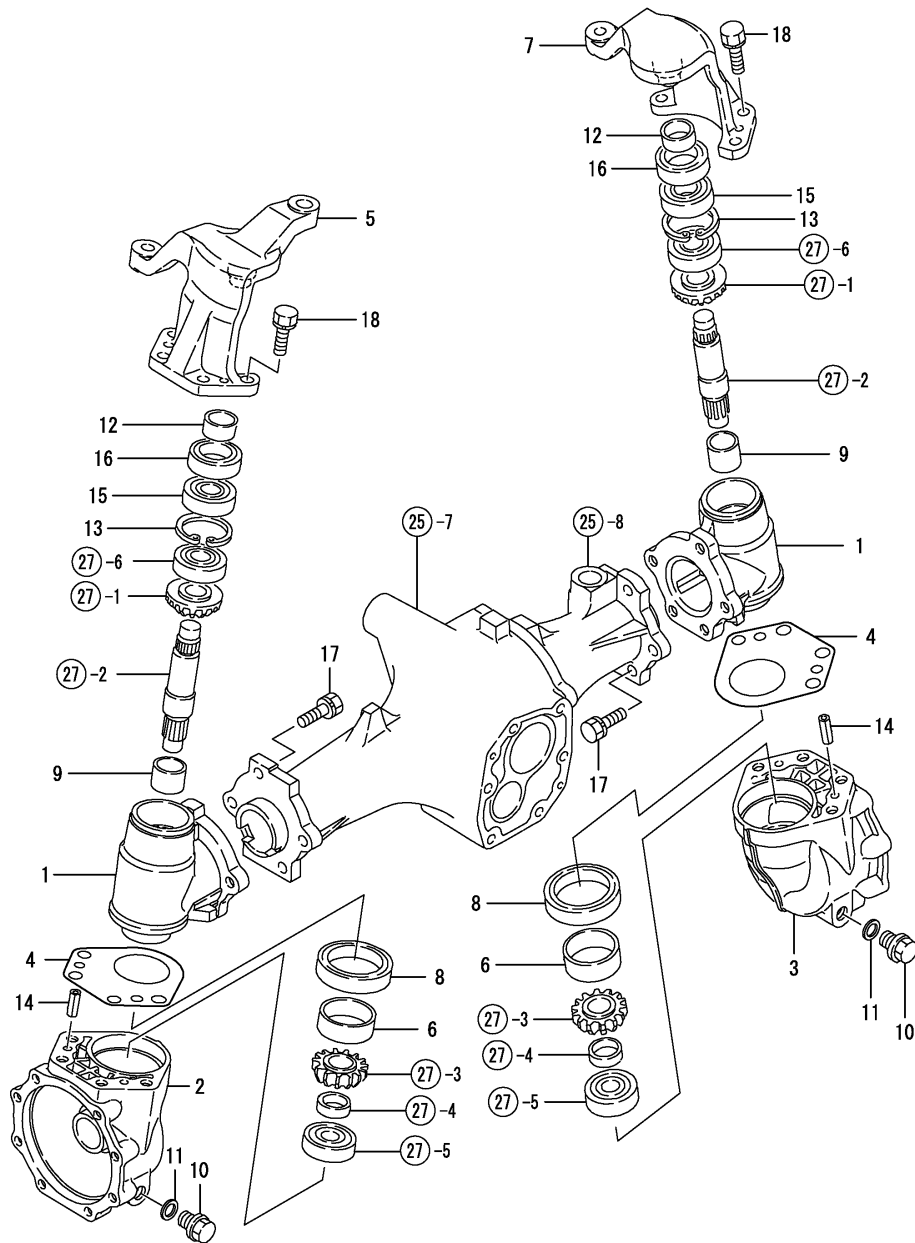
Remarks

\* FIGURE FOR POWER STEERING TYPE

Fig.26. FRONT GEAR CASE

(A)=KE-140  
(B)=KE-160  
(C)=

(D)=  
(E)=  
(F)=

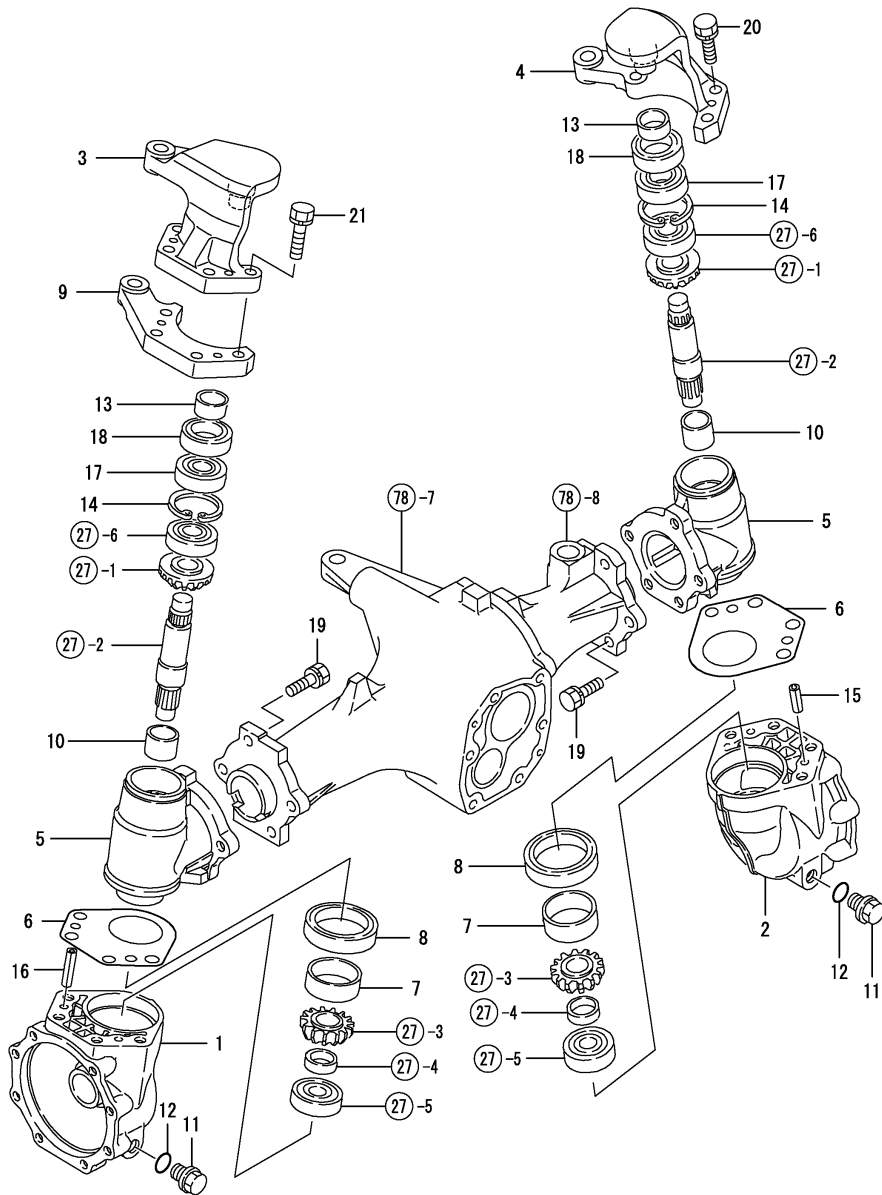


REF.	LEV.	PARTS NO.	DESCRIPTION	QTY						I	R
				(A)	(B)	(C)	(D)	(E)	(F)		
1	1	198421-13710	CASE,FRONT GEAR	2	2						
2	1	198421-13730	BOX L,FRONT GEAR	1	1						
3	1	198421-13740	BOX R,FRONT GEAR	1	1						
4	1	198421-13750	SHIM 1.0,SUPPORT	2	2						
5	1	198421-13760	SUPPORT L,KING PIN	1	1						
6	1	194516-13770	SLEEVE SI455016	2	2						
7	1	198421-13770	SUPPORT R,KING PIN	1	1						
8	1	194516-13780	SEAL TC6Y 506812.5	2	2						
9	1	198165-13830	BUSH 25X1.5	2	2						
10	1	1C6900-23120	BOLT M14X10,DRAIN	2	2						
11	1	1C6900-23150	WASHER	2	2						
12	1	1E6190-54080	SLEEVE SI25X30X13	2	2						
13	1	22252-000470	CIRCLIP 47(H)	2	2						
14	1	22351-080020	SPRING PIN 8X20	4	4						
15	1	24104-062044	BALL BEARING	2	2						
16	1	24421-304708	SEAL TC30 47 08, OIL	2	2						
17	1	26013-100302	BOLT M10X 30	10	10						
18	1	26013-100302	BOLT M10X 30	8	8						

Fig.79. FRONT GEAR CASE(ADD.)

(A)=KE-140  
(B)=KE-160  
(C)=

(D)=  
(E)=  
(F)=



REF.	LEV.	PARTS NO.	DESCRIPTION	QTY						I	R
				(A)	(B)	(C)	(D)	(E)	(F)		
1	1	198421-13730	BOX L,FRONT GEAR	1	1						
2	1	198421-13740	BOX R,FRONT GEAR	1	1						
3	1	198164-13760	BRACKET(L), KING PIN	1	1						
4	1	198164-13770	SUPPORT(R),KING PIN	1	1						
5	1	198421-13710	CASE,FRONT GEAR	2	2						
6	1	198421-13750	SHIM 1.0,SUPPORT	2	2						
7	1	194516-13770	SLEEVE SI455016	2	2						
8	1	194516-13780	SEAL TC6Y 506812.5	2	2						
9	1	198164-13780	ARM,TIE ROD	1	1						
10	1	198165-13830	BUSH 25X1.5	2	2						
11	1	1C6900-23120	BOLT M14X10,DRAIN	2	2						
12	1	1C6900-23150	WASHER	2	2						
13	1	1E6190-54080	SLEEVE SI25X30X13	2	2						
14	1	22252-000470	CIRCLIP 47(H)	2	2						
15	1	22351-080020	SPRING PIN 8X20	2	2						
16	1	22351-080040	SPRING PIN 8X40	2	2						
17	1	24104-062044	BALL BEARING	2	2						
18	1	24421-304708	SEAL TC30 47 08, OIL	2	2						
19	1	26013-100302	BOLT M10X 30	10	10						
19-1	1	26106-100302	BOLT M10X 30 PLATED	10	10						R
		(A="2009.03.) (B="2009.03.)									
20	1	26013-100352	BOLT M10X 35	4	4						
20-1	1	26106-100352	BOLT M10X 35 PLATED	4	4						R
		(A="2009.03.) (B="2009.03.)									
21	1	26013-100502	BOLT M10X 50	4	4						
21-1	1	26106-100502	BOLT M10X 50 PLATED	4	4						R
		(A="2009.03.) (B="2009.03.)									

Remarks  
\* FIGURE FOR POWER STEERING TYPE



Fig.28. INPUT SHAFT

0CNP3-G97000 28. INPUT SHAFT

(A)=KE-140  
(B)=KE-160  
(C)=

(D)=  
(E)=  
(F)=

REF.	LEV.	PARTS NO.	DESCRIPTION	Q'TY						I	R
				(A)	(B)	(C)	(D)	(E)	(F)		
1	1	198421-13910	SHAFT,FRONT INPUT	1	1						
2	1	198421-13920	GEAR 15T,FRONT	1	1						
3	1	22242-000200	CIRCLIP 20	1	1						
4	1	24101-060034	BALL BEARING	1	1						
5	1	24101-062024	BALL BEARING	1	1						

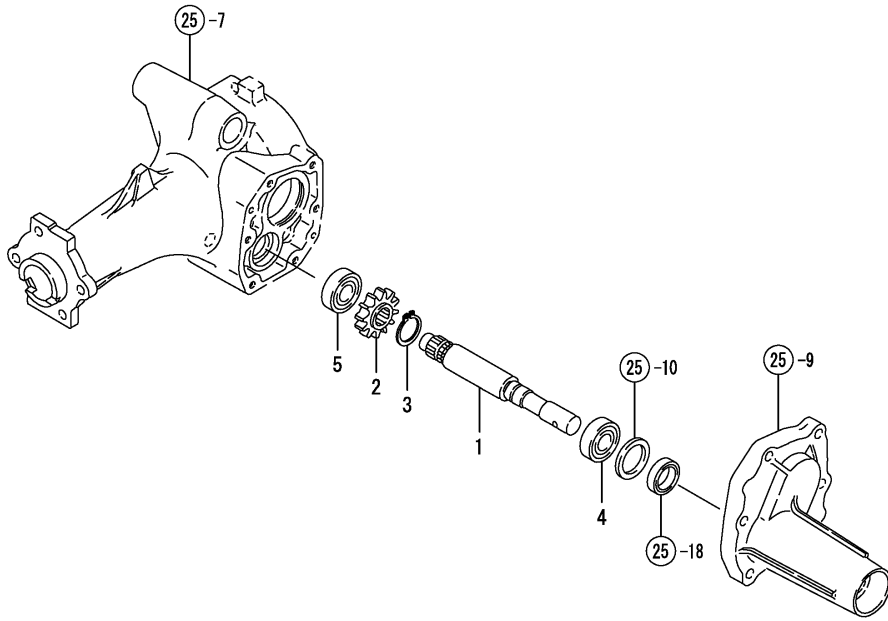
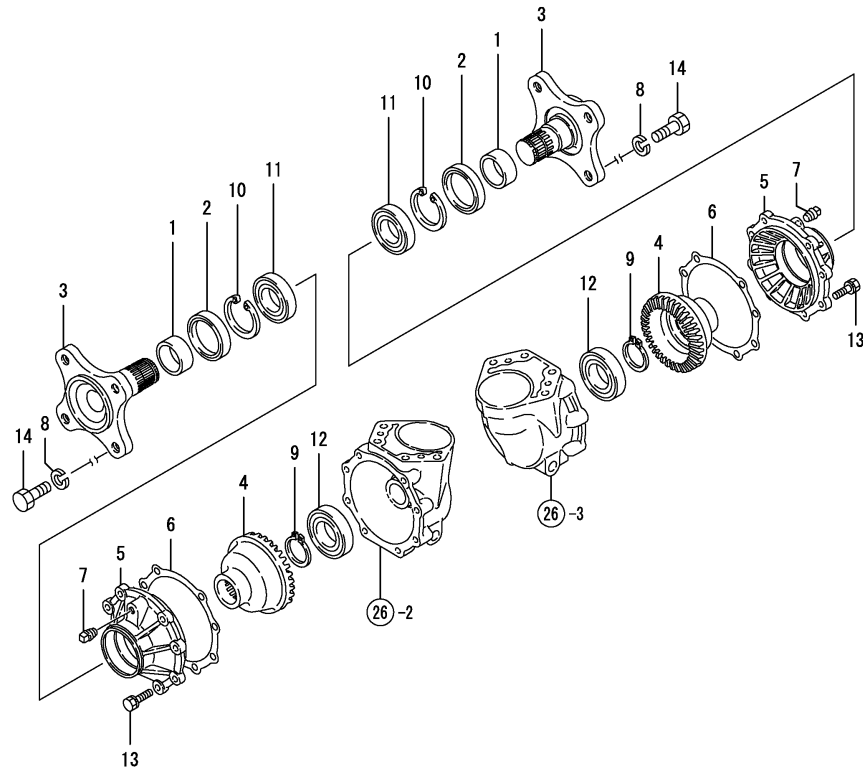




Fig.29. FRONT SPINDLE



0CNP3-G97000 29. FRONT SPINDLE

(A)=KE-140  
(B)=KE-160  
(C)=

(D)=  
(E)=  
(F)=

REF.	LEV.	PARTS NO.	DESCRIPTION	QTY						I	R
				(A)	(B)	(C)	(D)	(E)	(F)		
1	1	194314-11880	SLEEVE 40X45X18	2	2						
2	1	194314-12720	SEAL TC6Y 45 62 14	2	2						
3	1	198421-14110	SPINDLE,FRONT	2	2						
4	1	198421-14120	GEAR,FRONT FINAL	2	2						
5	1	198421-14130	CASE,FRONT BEARING	2	2						
6	1	198421-14140	PACKING,BEARING CASE	2	2						
6-1	1	198421-14141	PACKING,BEARING CASE	2	2						N
		(A=FXXXXX) (B=F110495)									
6-2	1	198421-14142	PACKING,BEARING CASE	2	2						S 1
		(A=SEE NOTE) (B=SEE NOTE)									
7	1	194151-36670	PLUG PT02	2	2						
8	1	22217-140000	SPRING WASHER 14	8	8						
9	1	22242-000350	CIRCLIP 35	2	2						
10	1	22252-000620	CIRCLIP 62(H)	2	2						
11	1	24101-060074	BALL BEARING	2	2						
12	1	24101-060084	BALL BEARING	2	2						
13	1	26016-080252	BOLT M 8X 25	16	16						
14	1	26156-140252	BOLT M14X 25 PLATED	8	8						

Remarks

(1)MATERIAL = REF.NO.6-1 AF5400  
REF.NO.6-2 SF-7500

N:Old  $\xrightarrow{\text{Yes}}$  New, Q:Old  $\xrightarrow{\text{No}}$  New, R:Old  $\xrightarrow{\text{Yes}}$  New, S:Old  $\xrightarrow{\text{No}}$  New, W:Add, Z:Discontinued, F:Interchangeable by set, K:Q'ty Change

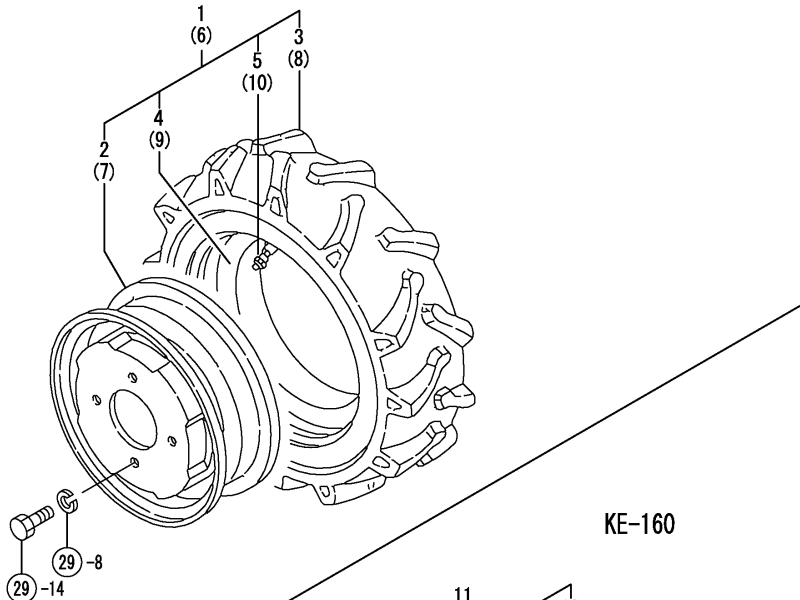
Fig.30. FRONT WHEEL TIRE

(A)=KE-140  
(B)=KE-160  
(C)=

(D)=  
(E)=  
(F)=

REF.	LEV.	PARTS NO.	DESCRIPTION	QTY						I	R
				(A)	(B)	(C)	(D)	(E)	(F)		
1	1	798425-14700	TIRE,FRONT L.H. KIT	1							
1-1	1	1A6750-14700	TIRE,FRONT L.H. KIT	1							N
(A=FXXXXX)											
2	2	198425-14750	WHEEL DC3.00DX10	1							
2-1	2	1A6750-14720	WHEEL 3.00D*10	1							N
(A=FXXXXX)											
3	2	194306-14810	TIRE 450-10	1							
4	2	194306-14820	TUBE	1							
5	2	194190-34730	HOUSING,CORE	1							
6	1	798425-14830	FRONT TIRE R.H. KIT	1							
6-1	1	1A6750-14800	TIRE KIT, F.WHEEL R	1							N
(A=FXXXXX)											
7	2	198425-14750	WHEEL DC3.00DX10	1							
7-1	2	1A6750-14720	WHEEL 3.00D*10	1							N
(A=FXXXXX)											
8	2	194306-14810	TIRE 450-10	1							
9	2	194306-14820	TUBE	1							
10	2	194190-34730	HOUSING,CORE	1							
11	1	798435-12800	TIRE,FRONT L.H. KIT		1						
12	2	194216-12830	TIRE		1						
13	2	194216-12840	TUBE		1						
14	2	194190-34730	HOUSING,CORE		1						
15	2	198435-14700	WHEEL DC4JA 12W		1						
16	1	798435-12900	FRONT TIRE R.H. KIT		1						
17	2	194216-12830	TIRE		1						
18	2	194216-12840	TUBE		1						
19	2	194190-34730	HOUSING,CORE		1						
20	2	198435-14700	WHEEL DC4JA 12W		1						

KE-140



KE-160

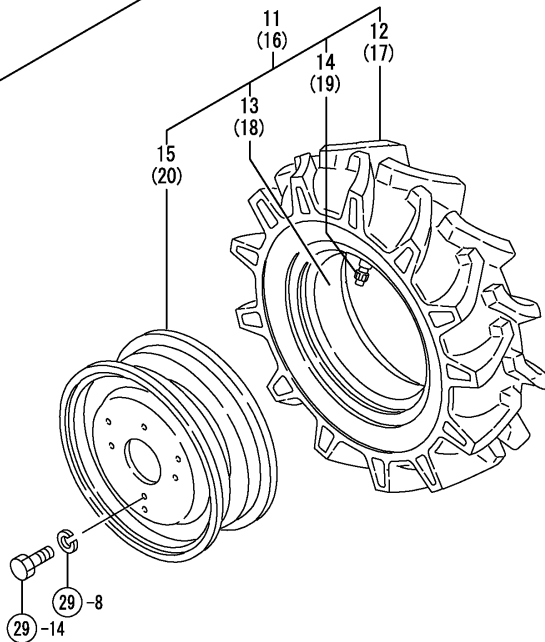
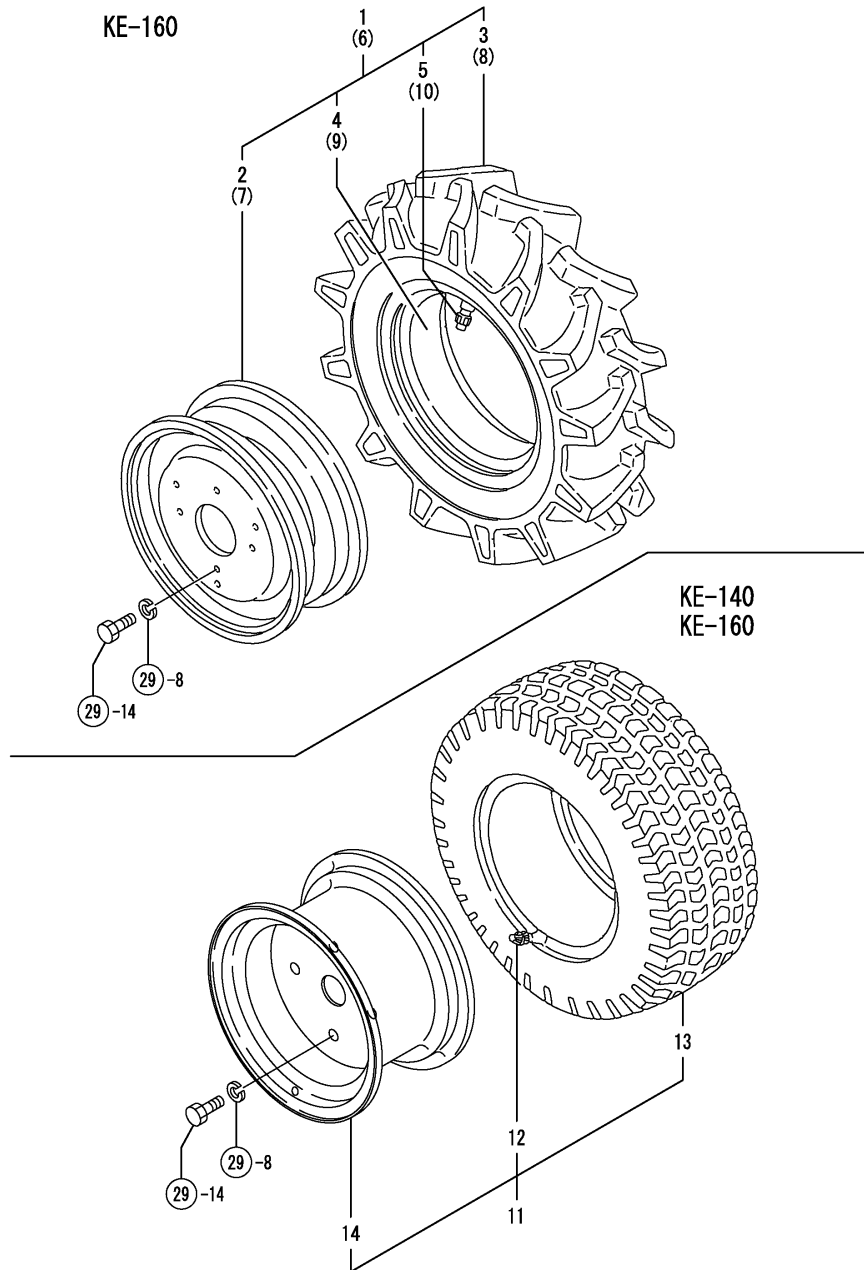


Fig.80. FRONT WHEEL TIRE(ADD.

(A)=KE-140  
(B)=KE-160  
(C)=

(D)=  
(E)=  
(F)=

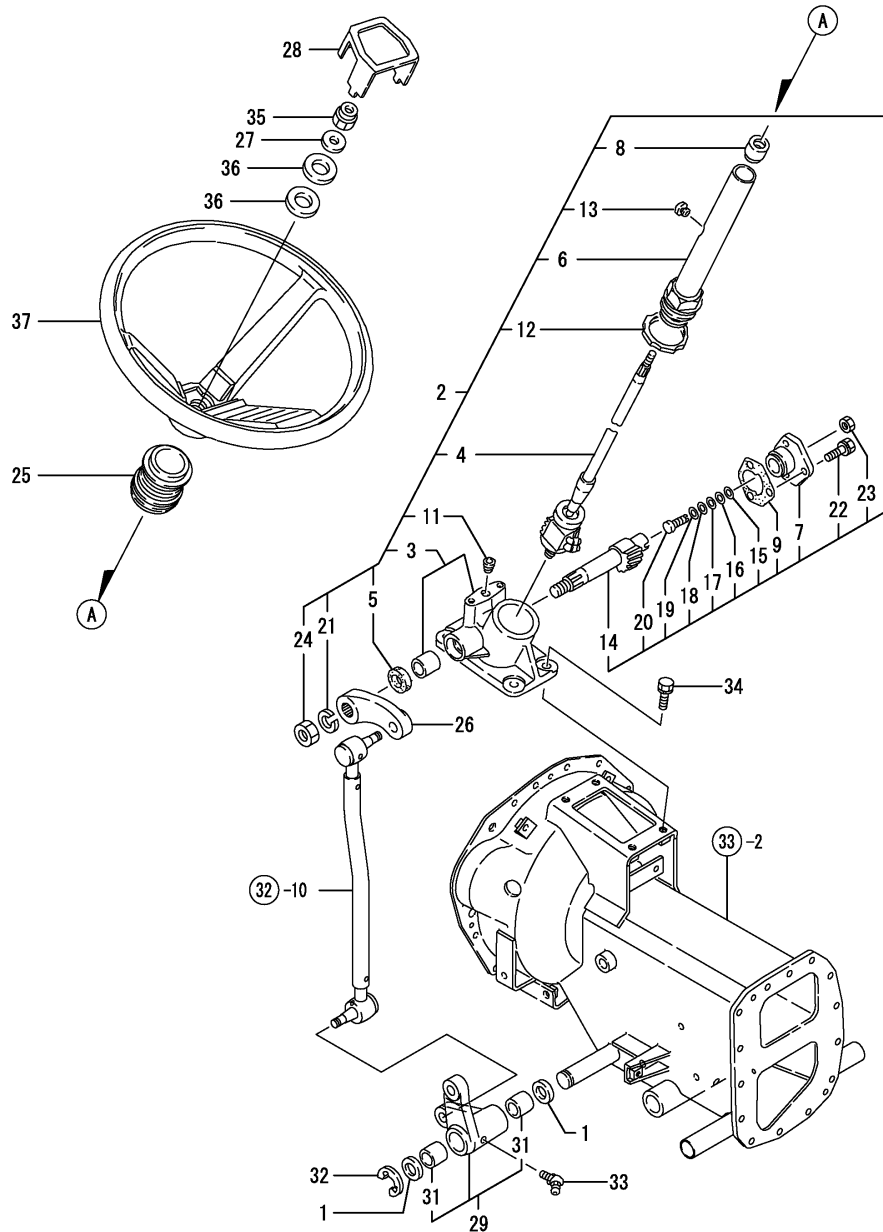


REF.	LEV.	PARTS NO.	DESCRIPTION	QTY						I	R
				(A)	(B)	(C)	(D)	(E)	(F)		
1	1	798531-14710	TIRE,FRONT L.H. KIT		1						
2	2	198531-14720	WHEEL DC3.00-12		1						
3	2	198531-14740	TIRE 5.00-12		1						
4	2	198531-14750	TUBE		1						
5	2	194190-34730	HOUSING,CORE		1						
6	1	798531-14810	FRONT TIRE R.H. KIT		1						
7	2	198531-14720	WHEEL DC3.00-12		1						
8	2	198531-14740	TIRE 5.00-12		1						
9	2	198531-14750	TUBE		1						
10	2	194190-34730	HOUSING,CORE		1						
11	1	198163-14730	TIRE,FRONT(TURF KIT	2	2						
12	2	194136-12880	VALVE TR413	2	2						
13	2	198163-14740	TURF TIRE 20*8.00	2	2						
14	2	198163-14750	DISC 6.00I-10	2	2						

Fig.31. STEERING GEAR

(A)=KE-140  
(B)=KE-160  
(C)=

(D)=  
(E)=  
(F)=

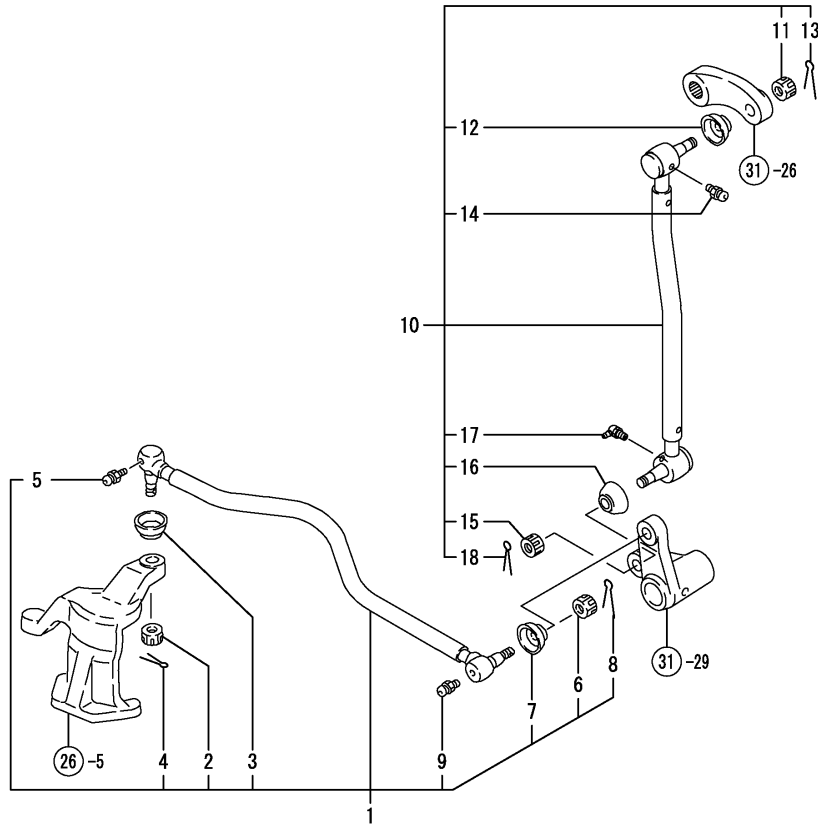


REF.	LEV.	PARTS NO.	DESCRIPTION	QTY						I	R
				(A)	(B)	(C)	(D)	(E)	(F)		
1	1	1C6140-14050	SPACER 25.2X34X2	2	2						
2	1	198421-15101	STEERING ASSY	1	1						
3	2	198421-15110	BOX,GEAR	1	1						
4	2	198421-15120	NUT COMP.,BALL	1	1						
5	2	194262-15220	SEAL TV 223508, OIL	1	1						
6	2	198421-15140	COLUMN COMPL.	1	1						
7	2	194262-15150	COVER ASSY, SIDE	1	1						
8	2	198421-15150	BUSH,COLUMN	1	1						
9	2	194262-15160	PACKING	1	1						
11	2	194262-15170	PLUG PT1/8	1	1						
12	2	194440-15230	LOCK NUT	1	1						
13	2	194440-15340	PLUG, BREATHER	1	1						
14	2	194262-15410	SHAFT, SECTOR	1	1						
15	2	194262-15420	SHIM (A) (T=1.525)	1	1						
16	2	194262-15430	SHIM (B) (T=1.555)	1	1						
17	2	194262-15440	SHIM (C) (T=1.585)	1	1						
18	2	194262-15450	SHIM (D) (T=1.615)	1	1						
19	2	194262-15460	SHIM (E) (T=1.645)	1	1						
20	2	194262-15470	SCREW, ADJUSTING	1	1						
21	2	22217-160000	SPRING WASHER 16	1	1						
22	2	26013-080202	BOLT W/WASHER M8X20	3	3						
23	2	26717-080002	NUT 8	1	1						
24	2	26737-160002	NUT M16	1	1						
25	1	198162-15510	U-NUT 12	1	1						
26	1	198162-15520	ARM, PITMAN	1	1						
27	1	194080-15550	WASHER 12	1	1						
28	1	1W4473-20030	CAP	1	1						
29	1	198163-15740	ARM, PITMAN C CMP	1	1						
30	2	198435-15750	ARM, PITMAN B	1	1						
31	2	198163-15850	BUSHING 25*25	2	2						
32	1	22273-000190	CIRCLIP E19	1	1						
33	1	198435-16230	GREASE FITTING	1	1						
34	1	26016-100252	BOLT M10X 25	4	4						
35	1	26356-120002	U-NUT M12	1	1						
36	1	198162-15610	WASHER,STEERING	2	2						
37	1	198163-15800	WHEEL, STIRRING CMP	1	1						

Fig.32. DRAG ROD

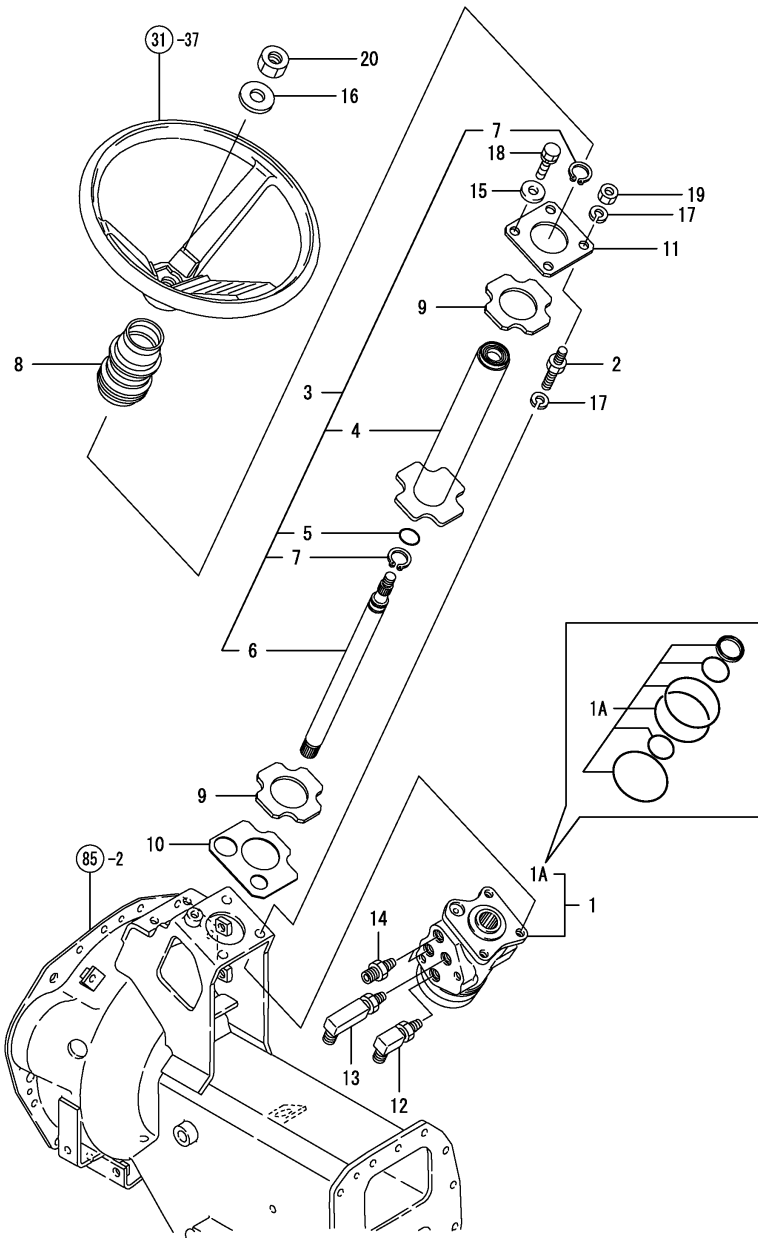
(A)=KE-140  
(B)=KE-160  
(C)=

(D)=  
(E)=  
(F)=



REF.	LEV.	PARTS NO.	DESCRIPTION	QTY						I	R
				(A)	(B)	(C)	(D)	(E)	(F)		
1	1	198425-16150	ROD B COMP.,DRAG	1	1						
2	2	194215-12341	NUT	1	1						
3	2	194300-13340	COVER,DUST	1	1						
4	2	22417-250250	COTTER PIN 2.5X25	1	1						
5	2	24761-060000	NIPPLE MT6X1, GREASE	1	1						
6	2	194215-12340	NUT M10	1	1						
7	2	194300-13340	COVER,DUST	1	1						
8	2	22417-250250	COTTER PIN 2.5X25	1	1						
9	2	24761-060000	NIPPLE MT6X1, GREASE	1	1						
10	1	198435-16200	ROD, DRAG	1	1						
11	2	194215-12341	NUT	1	1						
12	2	194300-13340	COVER,DUST	1	1						
13	2	22417-250250	COTTER PIN 2.5X25	1	1						
14	2	24761-060000	NIPPLE MT6X1, GREASE	1	1						
15	2	194215-12340	NUT M10	1	1						
16	2	194300-13340	COVER,DUST	1	1						
17	2	198435-16230	GREASE FITTING	1	1						
18	2	22417-250250	COTTER PIN 2.5X25	1	1						

Fig.81. P.S.T VALVE(ADD.



(A)=KE-140  
(B)=KE-160  
(C)=

(D)=  
(E)=  
(F)=

REF.	LEV.	PARTS NO.	DESCRIPTION	QTY						I	R
				(A)	(B)	(C)	(D)	(E)	(F)		
1	1	198167-17300	VALVE H, P.STEERING	1	1						
I	1A	2	198165-17350	SEAL KIT	1	1					
2	1	198165-17310	BOLT M 10, ST COLUMN	3	3						
3	1	198163-17410	COLUM SET	1	1						
4	2	198163-17420	PST COLUM CMP	1	1						
5	2	198164-17450	PACKING	1	1						
6	2	198163-17460	STEARING SHAFT	1	1						
7	2	22242-000200	CIRCLIP 20	2	2						
8	1	198164-17470	BOOT ASSY, STEERING	1	1						
9	1	198165-17481	RUBBER, ST COLUMN	2	2						
10	1	198163-17490	SPACER, COLUMN	1	1						
11	1	198164-17500	PLATE, ST COLUMN	1	1						
12	1	198165-17731	ELBO, 1/4X9/16	1	1						
13	1	198165-17741	ELBO L, 1/4X9/16	1	1						
14	1	198165-17790	CONNECTOR	2	2						
15	1	22137-100000	WASHER 10,POLISHED	1	1						
16	1	22137-160000	WASHER 16,POLISHED	1	1						
17	1	22217-100000	SPRING WASHER 10	6	6						
18	1	26016-100162	BOLT M10X 16	1	1						
19	1	26736-100002	NUT M10	3	3						
20	1	26776-160002	LOCK NUT M16 PLATED	1	1						

Remarks  
\* FIGURE FOR POWER STEERING TYPE

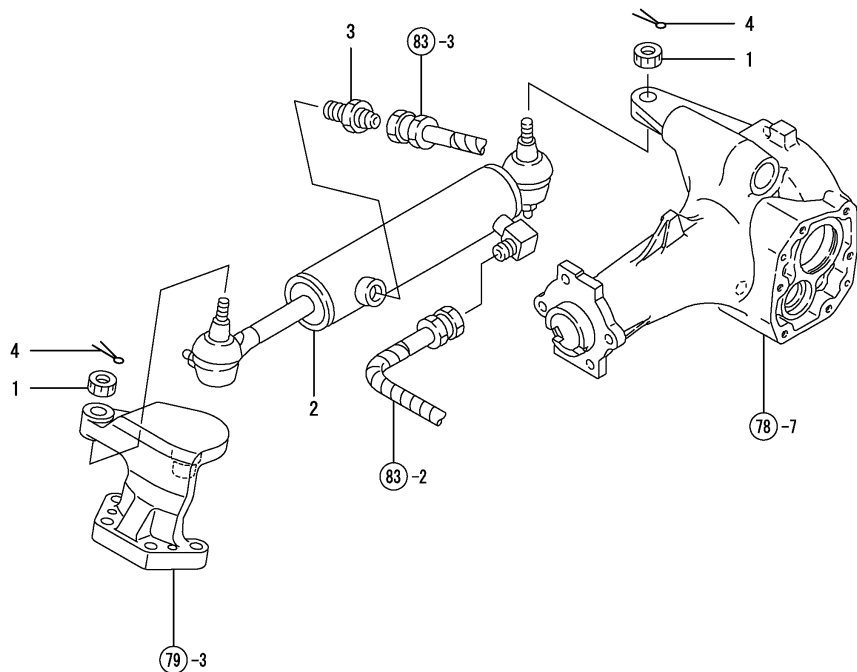
N:Old  $\begin{matrix} \leftarrow \text{Yes} \\ \text{No} \end{matrix}$  New, Q:Old  $\begin{matrix} \leftarrow \text{No} \\ \text{Yes} \end{matrix}$  New, R:Old  $\begin{matrix} \leftarrow \text{Yes} \\ \text{Yes} \end{matrix}$  New, S:Old  $\begin{matrix} \leftarrow \text{No} \\ \text{No} \end{matrix}$  New, W:Add, Z:Discontinued, F:Interchangeable by set, K:Q'ty Change

Fig.82. P.S.T CYLINDER(ADD.)

(A)=KE-140  
(B)=KE-160  
(C)=

(D)=  
(E)=  
(F)=

REF.	LEV.	PARTS NO.	DESCRIPTION	Q'TY						I	R
				(A)	(B)	(C)	(D)	(E)	(F)		
1	1	194215-12340	NUT M10	2	2						
2	1	198164-17540	CYLINDER, PS	1	1						
3	1	172520-76210	FITTING 1/4	1	1						
4	1	22417-250250	COTTER PIN 2.5X25	2	2						



Remarks

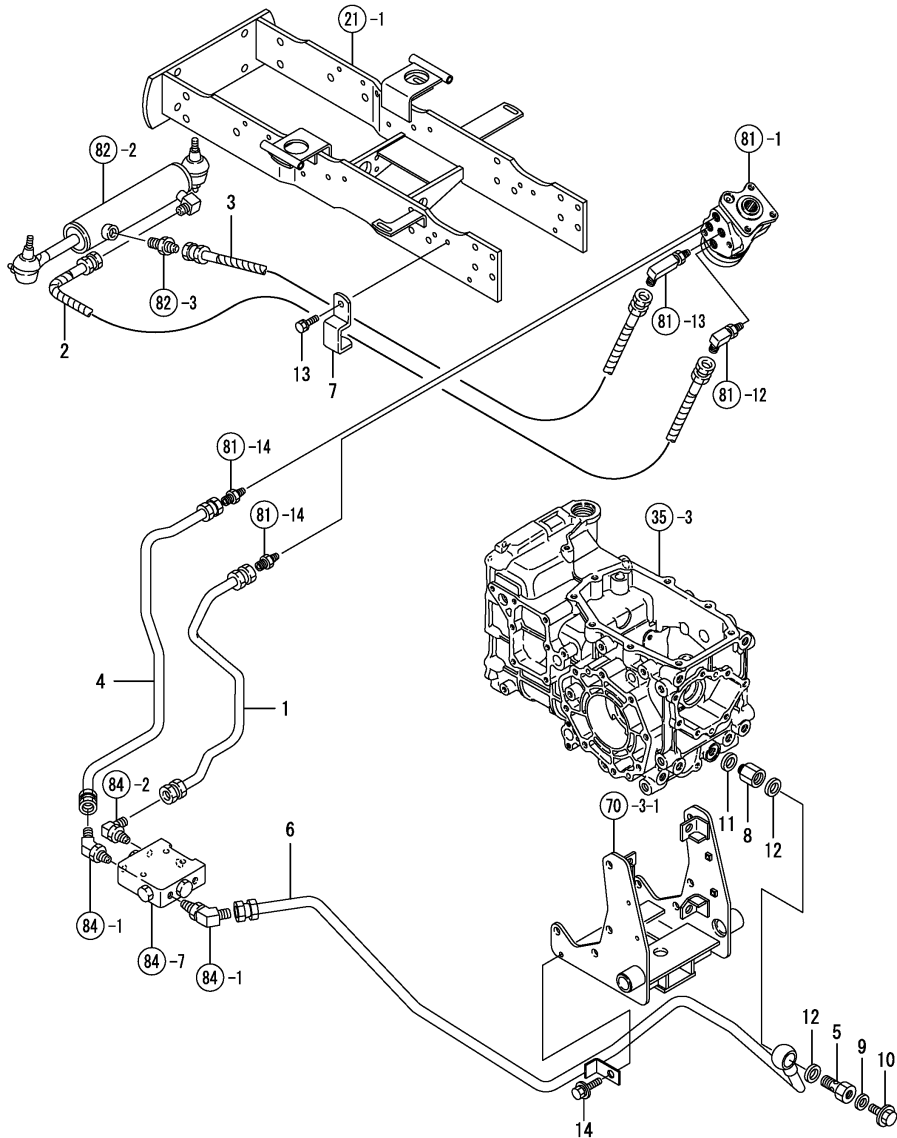
\* FIGURE FOR POWER STEERING TYPE

N:Old  $\xrightarrow{\text{Yes}}$  New, Q:Old  $\xrightarrow{\text{No}}$  New, R:Old  $\xrightarrow{\text{Yes}}$  New, S:Old  $\xrightarrow{\text{No}}$  New, W:Add, Z:Discontinued, F:Interchangeable by set, K:Q'ty Change

Fig.83. P.S.T PIPING(ADD.)

(A)=KE-140  
(B)=KE-160  
(C)=

(D)=  
(E)=  
(F)=



REF.	LEV.	PARTS NO.	DESCRIPTION	Q'TY						I	R
				(A)	(B)	(C)	(D)	(E)	(F)		
1	1	198164-17660	PIPE, HP	1	1						
2	1	198163-17710	HOSE A,HYDRAULIC PS	1	1						
3	1	198163-17720	HOSE B,HYDRAULIC PS	1	1						
4	1	198163-17740	DRAIN PIPE(PS	1	1						
5	1	198163-17771	BOLT 18, JOINT	1	1						
6	1	198163-17780	DRAIN PIPE B(PS	1	1						
7	1	198164-17780	CLAMP	1	1						
8	1	198163-17790	ADAPTER	1	1						
9	1	198165-24440	GASKET(20*12*2	1	1						
10	1	198165-24490	BOLT M 12X 12 PLATED	1	1						
11	1	23414-140018	GASKET 14	1	1						
12	1	23414-180023	GASKET 18	2	2						
13	1	26016-080122	BOLT M 8X 12	1	1						
14	1	26018-080162	BOLT M 8X 16	1	1						

Remarks

\* FIGURE FOR POWER STEERING TYPE

N:Old  $\xrightarrow{\text{Yes}}$  New, Q:Old  $\xrightarrow{\text{No}}$  New, R:Old  $\xrightarrow{\text{Yes}}$  New, S:Old  $\xrightarrow{\text{No}}$  New, W:Add, Z:Discontinued, F:Interchangeable by set, K:Q'ty Change

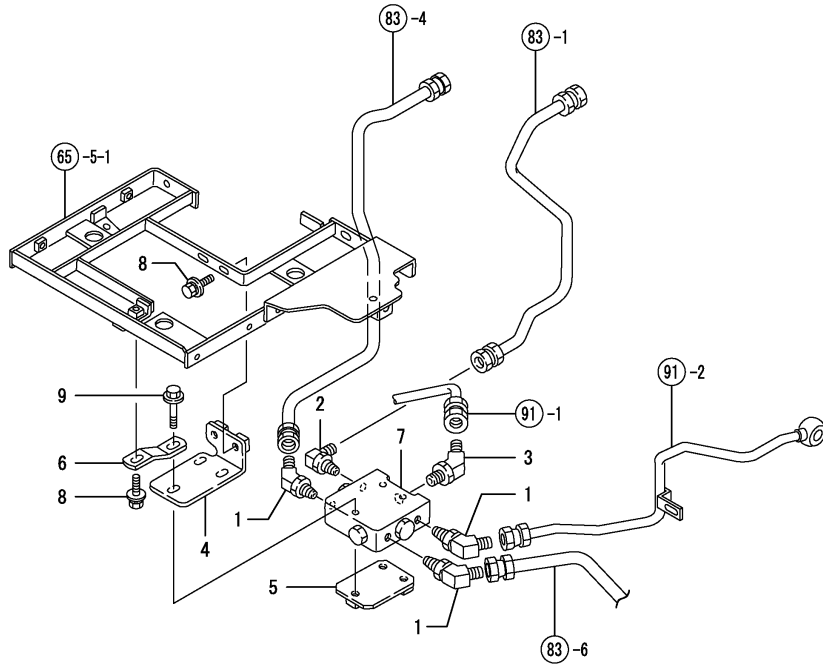


Fig.84. FLOW DEVIDER(ADD.)

OCNP3-G97000 84. FLOW DEVIDER(ADD.)

(A)=KE-140  
(B)=KE-160  
(C)=

(D)=  
(E)=  
(F)=



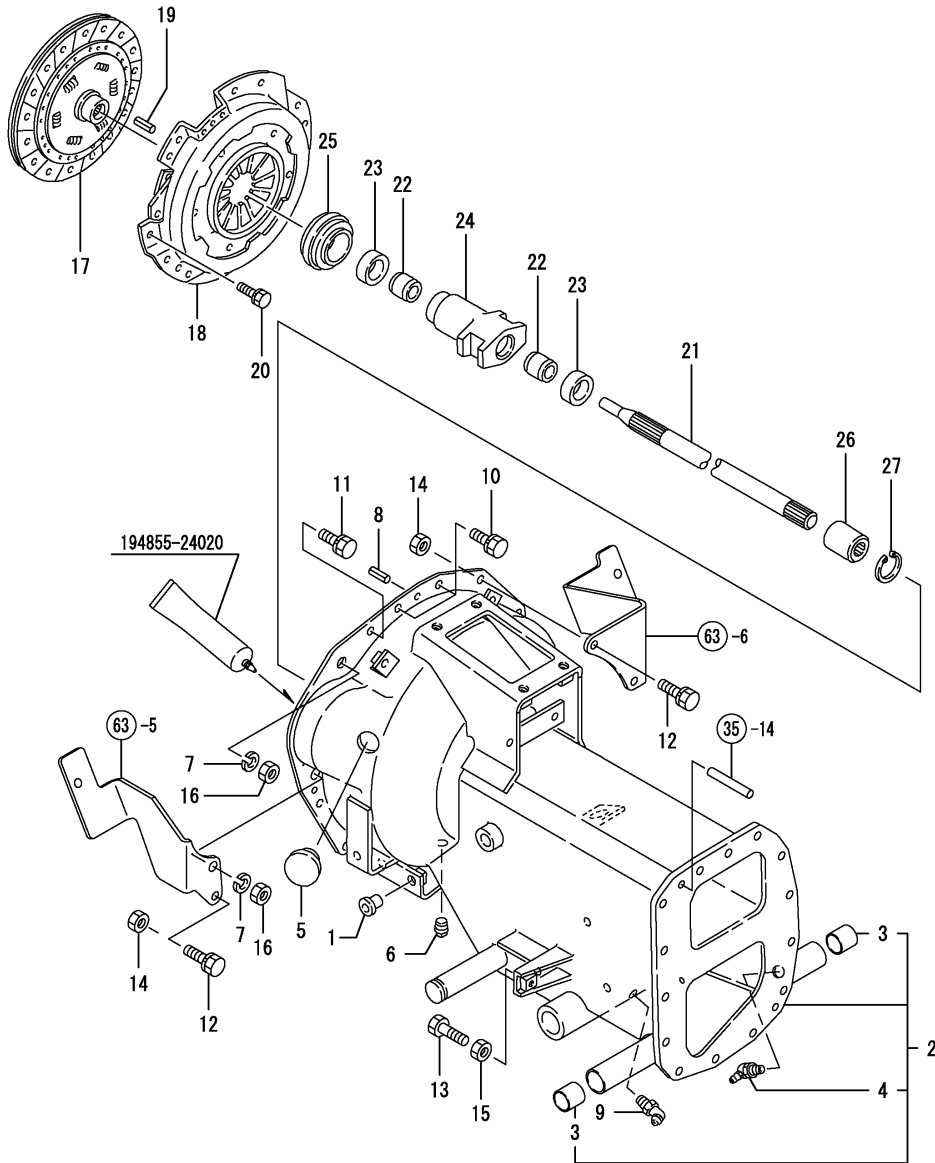
REF.	LEV.	PARTS NO.	DESCRIPTION	Q'TY						I	R
				(A)	(B)	(C)	(D)	(E)	(F)		
1	1	198165-17711	ELBO, 45	3	3						
2	1	198165-17781	ELBO, 1/4X1/4	1	1						
3	1	198164-17810	ELBOW 45 3/8	1	1						
4	1	198164-17830	BRACKET ASSY, FD	1	1						
5	1	198164-17850	PLATE ASS, FD	1	1						
6	1	198163-17870	STAY, FD	1	1						
7	1	198164-17900	DIVIDER.,FLOW KIT	1	1						
8	1	26018-080252	BOLT M8X 25	3	3						
9	1	26106-080502	BOLT M 8X 50 PLATED	3	3						

Remarks

\* FIGURE FOR POWER STEERING TYPE

N:Old  $\xrightarrow{\text{Yes}}$  New, Q:Old  $\xrightarrow{\text{No}}$  New, R:Old  $\xrightarrow{\text{Yes}}$  New, S:Old  $\xrightarrow{\text{No}}$  New, W:Add, Z:Discontinued, F:Interchangeable by set, K:Q'ty Change

Fig.33. CLUTCH HOUSING



(A)=KE-140  
(B)=KE-160  
(C)=

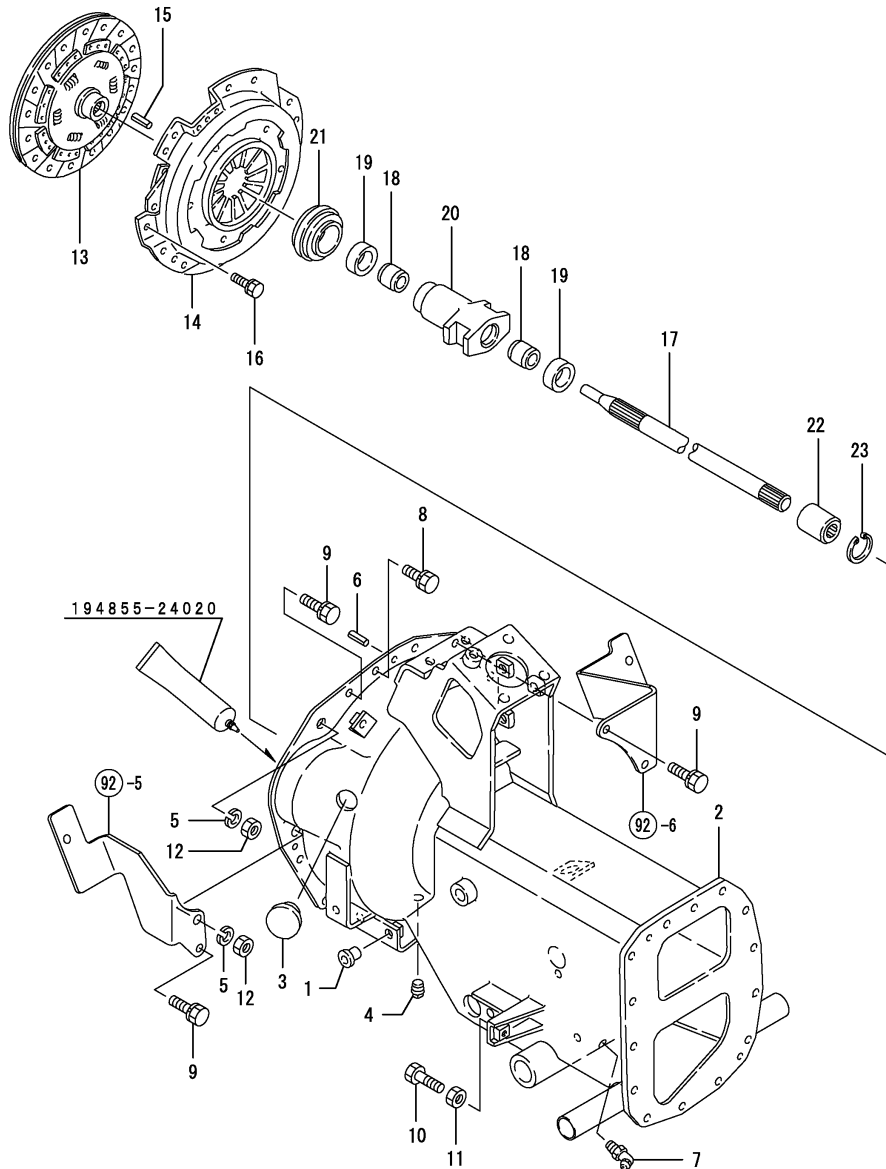
(D)=  
(E)=  
(F)=

REF.	LEV.	PARTS NO.	DESCRIPTION	Q'TY						I	R
				(A)	(B)	(C)	(D)	(E)	(F)		
1	1	194201-11230	CAP 11X21	4	4						
2	1	198163-21200	HOUSING ASSY, CLUTCH	1	1						
3	2	24550-020200	BUSH 20X20,DRY	2	2						
4	2	24761-040000	NIPPLE B,GREASE	1	1						
5	1	194300-21460	CAP	1	1						
6	1	194151-36670	PLUG PT02	1	1						
6-1	1	23876-010000	PLUG PT1/8,SCREW	1	1						R
		(A=*2009.03.) (B=*2009.03.)									
7	1	22217-100000	SPRING WASHER 10	2	2						
8	1	22351-080020	SPRING PIN 8X20	2	2						
9	1	24761-040000	NIPPLE B,GREASE	1	1						
10	1	26013-080122	BOLT M 8X 12	2	2						
11	1	26013-080162	BOLT W/WASHER M8X16	5	5						
12	1	26013-080252	BOLT M 8X 25	4	4						
13	1	26116-100352	BOLT 10X35	1	1						
13-1	1	26106-100302	BOLT M10X 30 PLATED	1	1						R
		(A=*2009.03.) (B=*2009.03.)									
14	1	26716-080002	NUT M 8	4	4						
15	1	26716-100002	NUT 10	1	1						
16	1	26716-100002	NUT 10	2	2						
17	1	198165-21450	DISC, CLUTCH	1	1						
18	1	194215-21701	PRESSURE PLATE	1	1						
19	1	22351-080016	SPRING PIN 8X16	3	3						
20	1	26013-080162	BOLT W/WASHER M8X16	6	6						
20-1	1	26106-080162	BOLT M 8X 16 PLATED	6	6						R
		(A=*2009.03.) (B=*2009.03.)									
21	1	198421-22110	SHAFT,MAIN DRIVE	1	1						
22	1	194215-22210	BUSH 20.4X25X20	2	2						
23	1	194215-22220	FELT	2	2						
24	1	194215-22230	SLEEVE, BEARING	1	1						
25	1	194300-22240	BEARING, RELEASE	1	1						
26	1	194310-25100	JOINT	1	1						
27	1	22252-000170	CIRCLIP 17	1	1						

Fig.85. CLUTCH HOUSING(ADD.

(A)=KE-140  
(B)=KE-160  
(C)=

(D)=  
(E)=  
(F)=



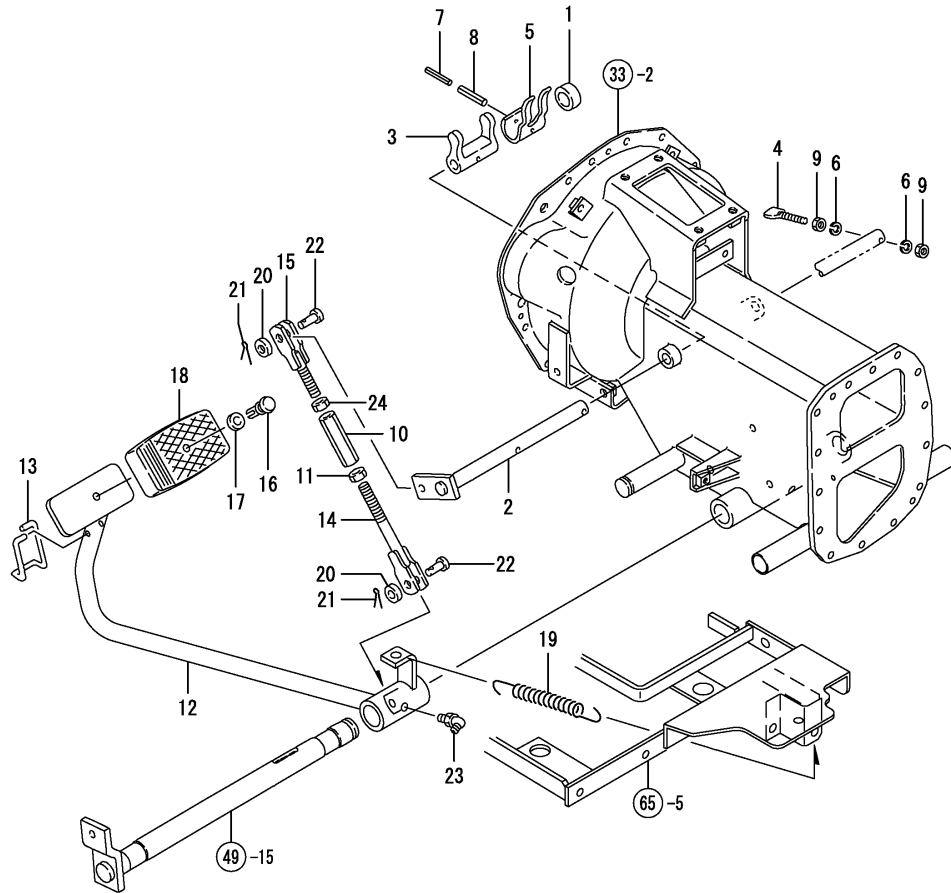
REF.	LEV.	PARTS NO.	DESCRIPTION	QTY						I	R
				(A)	(B)	(C)	(D)	(E)	(F)		
1	1	194201-11230	CAP 11X21	4	4						
2	1	198163-21250	HOUSING ASSY, CLUTCH	1	1						
3	1	194300-21460	CAP	1	1						
4	1	194151-36670	PLUG PT02	1	1						
4-1	1	23876-010000	PLUG PT1/8,SCREW	1	1						R
		(A=*2009.03.) (B=*2009.03.)									
5	1	22217-100000	SPRING WASHER 10	2	2						
6	1	22351-080016	SPRING PIN 8X16	2	2						
7	1	24761-040000	NIPPLE B,GREASE	1	1						
8	1	26013-080122	BOLT M 8X 12	2	2						
9	1	26013-080202	BOLT W/WASHER M8X20	9	9						
10	1	26116-100352	BOLT 10X35	1	1						
10-1	1	26106-100302	BOLT M10X 30 PLATED	1	1						R
		(A=*2009.03.) (B=*2009.03.)									
11	1	26716-100002	NUT 10	1	1						
12	1	26716-100002	NUT 10	2	2						
13	1	198165-21450	DISC, CLUTCH	1	1						
14	1	194215-21701	PRESSURE PLATE	1	1						
15	1	22351-080016	SPRING PIN 8X16	3	3						
16	1	26013-080162	BOLT W/WASHER M8X16	6	6						
16-1	1	26106-080162	BOLT M 8X 16 PLATED	6	6						R
		(A=*2009.03.) (B=*2009.03.)									
17	1	198421-22110	SHAFT,MAIN DRIVE	1	1						
18	1	194215-22210	BUSH 20.4X25X20	2	2						
19	1	194215-22220	FELT	2	2						
20	1	194215-22230	SLEEVE, BEARING	1	1						
21	1	194300-22240	BEARING, RELEASE	1	1						
22	1	194310-25100	JOINT	1	1						
23	1	22252-000170	CIRCLIP 17	1	1						

Remarks  
\* FIGURE FOR POWER STEERING TYPE

Fig.34. CLUTCH PEDAL

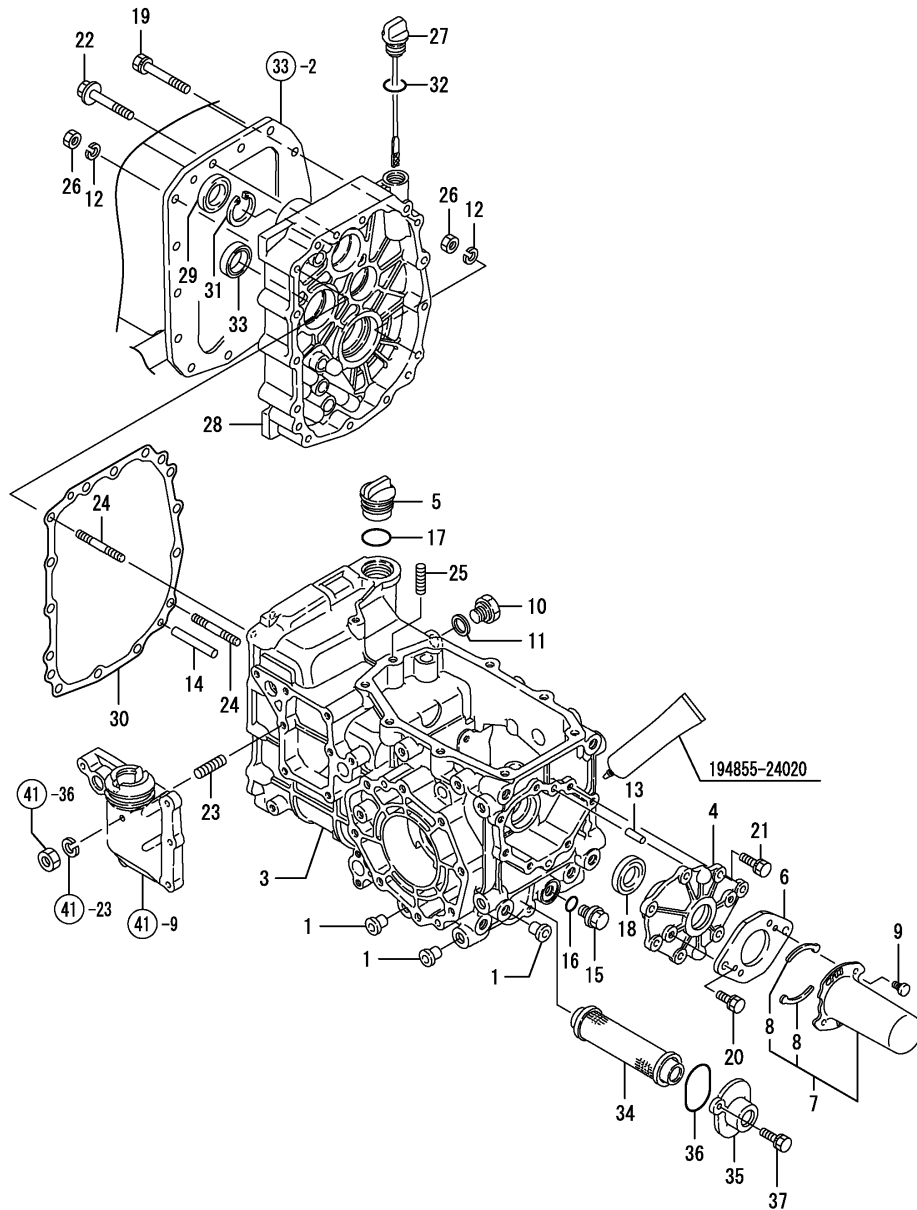
(A)=KE-140  
(B)=KE-160  
(C)=

(D)=  
(E)=  
(F)=



REF.	LEV.	PARTS NO.	DESCRIPTION	QTY						I	R
				(A)	(B)	(C)	(D)	(E)	(F)		
1	1	1C6560-13470	COLLAR 17X26X9	1	1						
2	1	198421-22151	SHAFT,RELEASE	1	1						
2-1	1	198421-22152	SHAFT,RELEASE	1	1						R
(A=*2009.03.) (B=*2009.03.)											
3	1	194300-22160	YOKE, SHIFT	1	1						
4	1	194215-22190	LEVER	1	1						
5	1	194300-22910	SPRING	1	1						
6	1	22217-060000	SPRING WASHER 6	2	2						
7	1	22351-035040	SPRING PIN 3.5X40	1	1						
8	1	22351-060040	SPRING PIN 6X40	1	1						
9	1	26716-060002	NUT 6	2	2						
10	1	194740-00322	TURNBUCKLE	1	1						
11	1	194990-20170	NUT W/WASHER 8	1	1						
12	1	198162-22410	PEDAL COMPL.,CLUTCH	1	1						
13	1	198421-22440	LEVER,CLUTCH LOCK	1	1						
14	1	198425-22450	ROD L COMP.,CLUTCH	1	1						
15	1	198425-22480	ROD R COMP.,CLUTCH	1	1						
16	1	198133-22510	RIVET,PEDAL HEAD	1	1						
17	1	198133-22530	WASHER,RIVET	1	1						
18	1	198071-37510	COVER,PEDAL HEAD	1	1						
19	1	198421-37511	SPRING,RETURN	1	1						
20	1	22137-080000	WASHER 8, POLISHED	2	2						
21	1	22417-200200	COTTER PIN 2.0X20	2	2						
22	1	22487-080160	PIN 8X 16	2	2						
23	1	24761-040000	NIPPLE B,GREASE	1	1						
24	1	26716-080002	NUT M 8	1	1						

Fig.35. TRANSMISSION CASE



(A)=KE-140  
(B)=KE-160  
(C)=

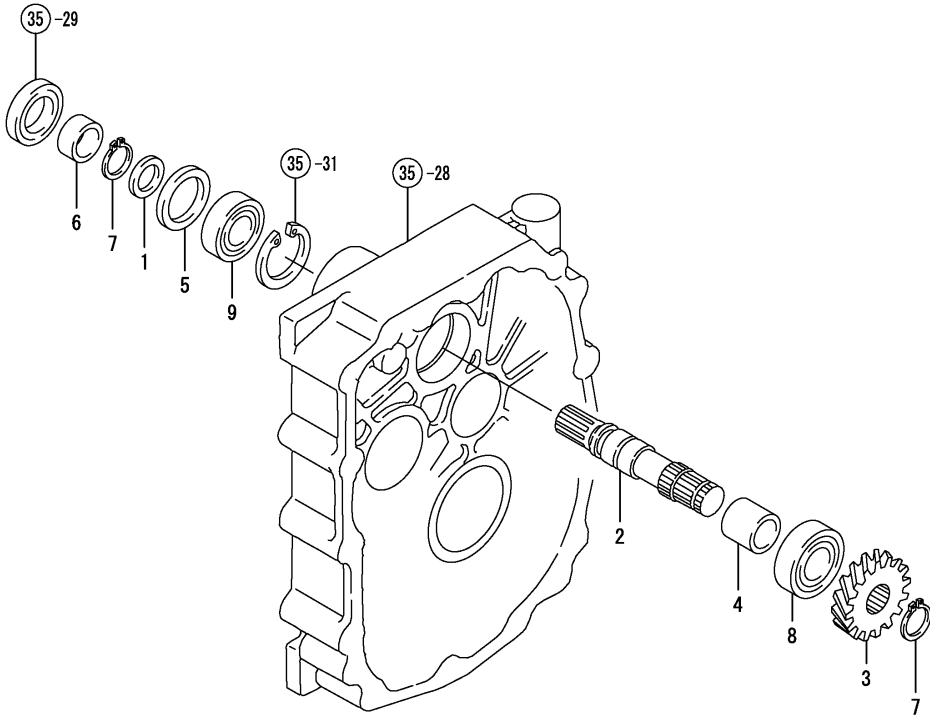
(D)=  
(E)=  
(F)=

REF.	LEV.	PARTS NO.	DESCRIPTION	QTY						I	R
				(A)	(B)	(C)	(D)	(E)	(F)		
1	1	194201-11230	CAP 11X21	6	6						
3	1	198425-24110	MISSION CASE	1	1						
4	1	198163-24140	COVER M,TRANSM.CS.RR	1	1						
5	1	198435-24280	OIL CAP 33	1	1						
6	1	198165-24660	PLATE	1	1						
7	1	194850-26850	COVER ASSY, SHAFT	1	1						
8	2	194850-26870	SPRING, SHIFT COVER	2	2						
9	1	194250-32530	PIN, COVER HOOK	2	2						
10	1	194312-46750	PLUG PF3/8	1	1						
11	1	194555-77910	GASKET	1	1						
12	1	22217-080000	SPRING WASHER 8	2	2						
13	1	22312-080160	PARALLEL PIN 8X 16	2	2						
14	1	22312-080630	PIN 8X63	2	2						
15	1	23491-140002	PLUG 14	1	1						
16	1	24311-000160	O-RING 1A P-16.0	1	1						
17	1	24351-020300	O-RING 1A 2030	1	1						
18	1	24421-284008	SEAL TC28 40 08, OIL	1	1						
19	1	26013-080702	BOLT M 8X 70	9	9						
20	1	26016-080202	BOLT M 8X 20	2	2						
21	1	26016-080252	BOLT M 8X 25	7	7						
22	1	26106-080702	BOLT M 8X 70 PLATED	3	3						
23	1	26226-080252	STUD M 8X 25 PLATED	1	1						
24	1	26226-080652	STUD M 8X 65 PLATED	2	2						
25	1	26226-100252	STUD M10X 25 PLATED	1	1						
26	1	26716-080002	NUT M 8	2	2						
27	1	198435-24290	GAUGE,OIL LEVEL	1	1						
28	1	198163-24320	PLATE	1	1						
28-1	1	198163-24321	PLATE	1	1						R
		(A=F110269) (B=F110354)									
29	1	198165-24330	SEAL TC254208,OIL	1	1						
30	1	198164-24510	PACKING,TRANSM.CASE	1	1						
31	1	22252-000420	CIRCLIP 42	1	1						
32	1	24311-000180	O-RING 1A P-18.0	1	1						
33	1	24421-173508	SEAL TC17 35 08, OIL	1	1						
34	1	198421-24910	STRAINER,OIL	1	1						
35	1	194215-24970	COVER, STRAINER	1	1						
36	1	24341-000500	O-RING 1A S-50.0	1	1						
36-1	1	1A7870-24980	PACKING,SUCTION	1	1						R
		(A=FXXXXXXX) (B=FXXXXXXX)									
37	1	26013-080202	BOLT W/WASHER M8X20	2	2						

Fig.36. INPUT SHAFT

(A)=KE-140  
(B)=KE-160  
(C)=

(D)=  
(E)=  
(F)=



REF.	LEV.	PARTS NO.	DESCRIPTION	Q'TY						I	R
				(A)	(B)	(C)	(D)	(E)	(F)		
1	1	194305-24310	COLLAR 20X25X2	1	1						
2	1	198435-25110	INPUT SHAFT	1	1						
3	1	198425-25120	GEAR 18,MAIN DRIVE	1	1						
4	1	198435-25130	COLLAR 20.8X25.4X19	1	1						
5	1	198163-25280	COLLAR	1	1						
6	1	194855-25290	SLEEVE SI 202513	1	1						
7	1	194859-34150	RING 20	2	2						
8	1	24101-062044	BALL BEARING #6204	1	1						
9	1	24104-060044	BALL BEARING	1	1						

Fig.37. MAIN SHAFT

(A)=KE-140  
(B)=KE-160  
(C)=

(D)=  
(E)=  
(F)=

REF.	LEV.	PARTS NO.	DESCRIPTION	Q'TY						I	R
				(A)	(B)	(C)	(D)	(E)	(F)		
1	1	194306-13140	CIRCLIP 24-S	1	1						
2	1	1E4070-14040	LINER 17.1X25X1	1	1						
3	1	194305-25160	BALL BEARING	2	2						
4	1	198435-25210	SHAFT, MAIN	1	1						
5	1	198435-25220	GEAR 25-19-16,MAIN	1	1						
6	1	198421-25231	GEAR 49,MAIN	1	1						
7	1	198435-25240	GEAR 31,MAIN	1	1						
8	1	198421-25250	GEAR 16,MAIN	1	1						
9	1	198435-25280	SPACER 30X20.2	1	1						
10	1	198435-25310	SPACER 30X7.95	1	1						
11	1	194856-25330	WASHER 22X32X2.5	1	1						
12	1	194856-25340	NEEDLE BEARING	1	1						
13	1	24101-062034	BALL BEARING	1	1						

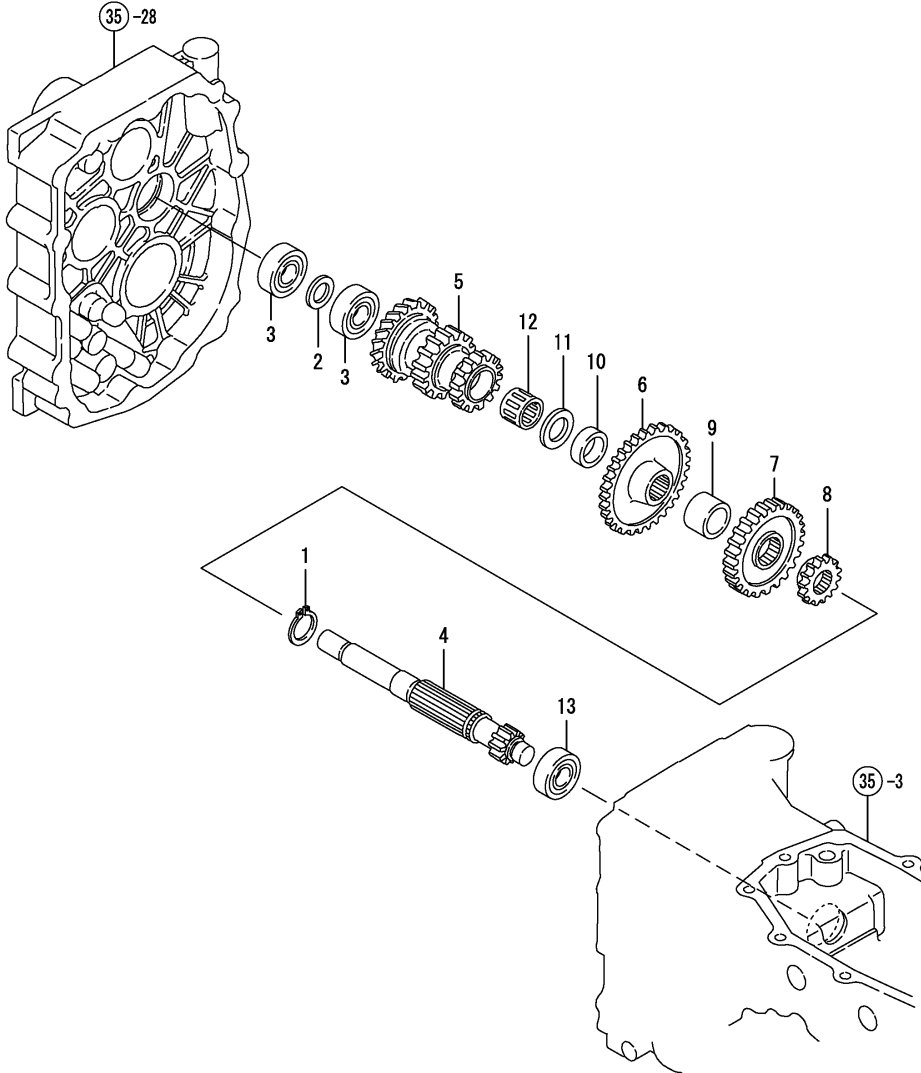
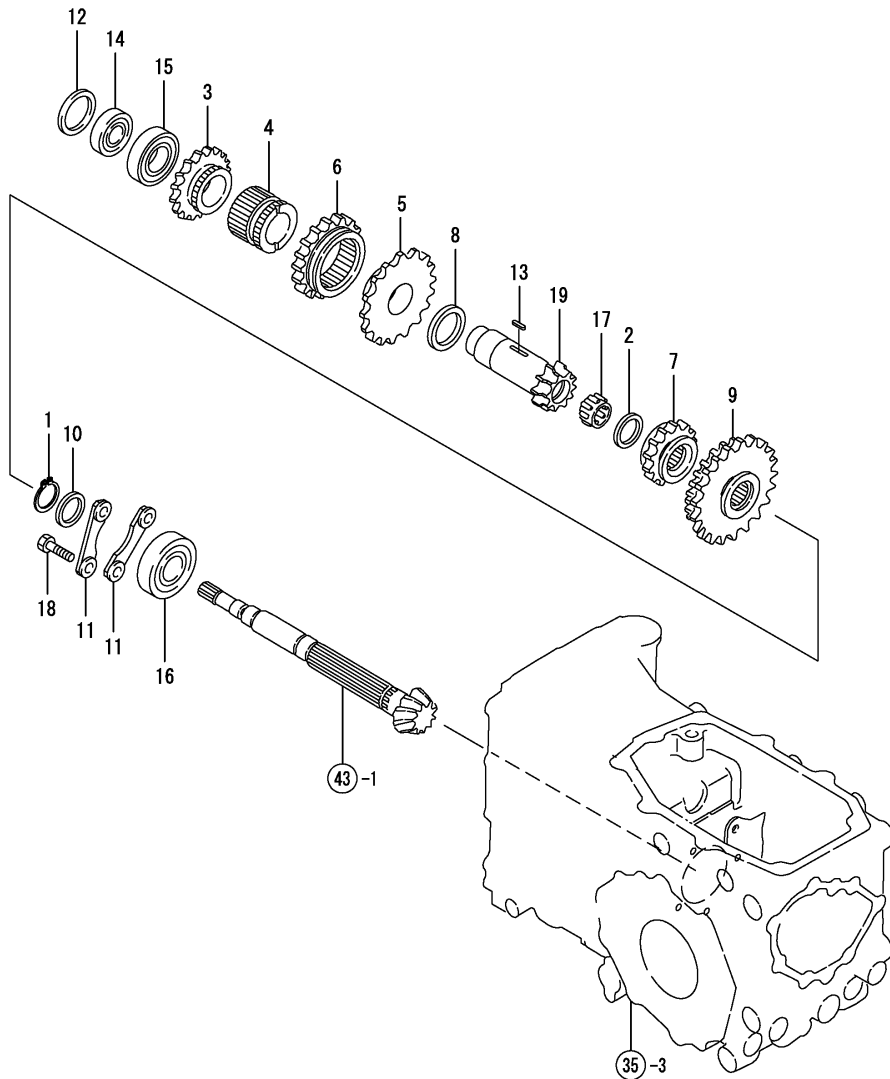


Fig.38. COUNTER SHAFT

(A)=KE-140  
(B)=KE-160  
(C)=

(D)=  
(E)=  
(F)=



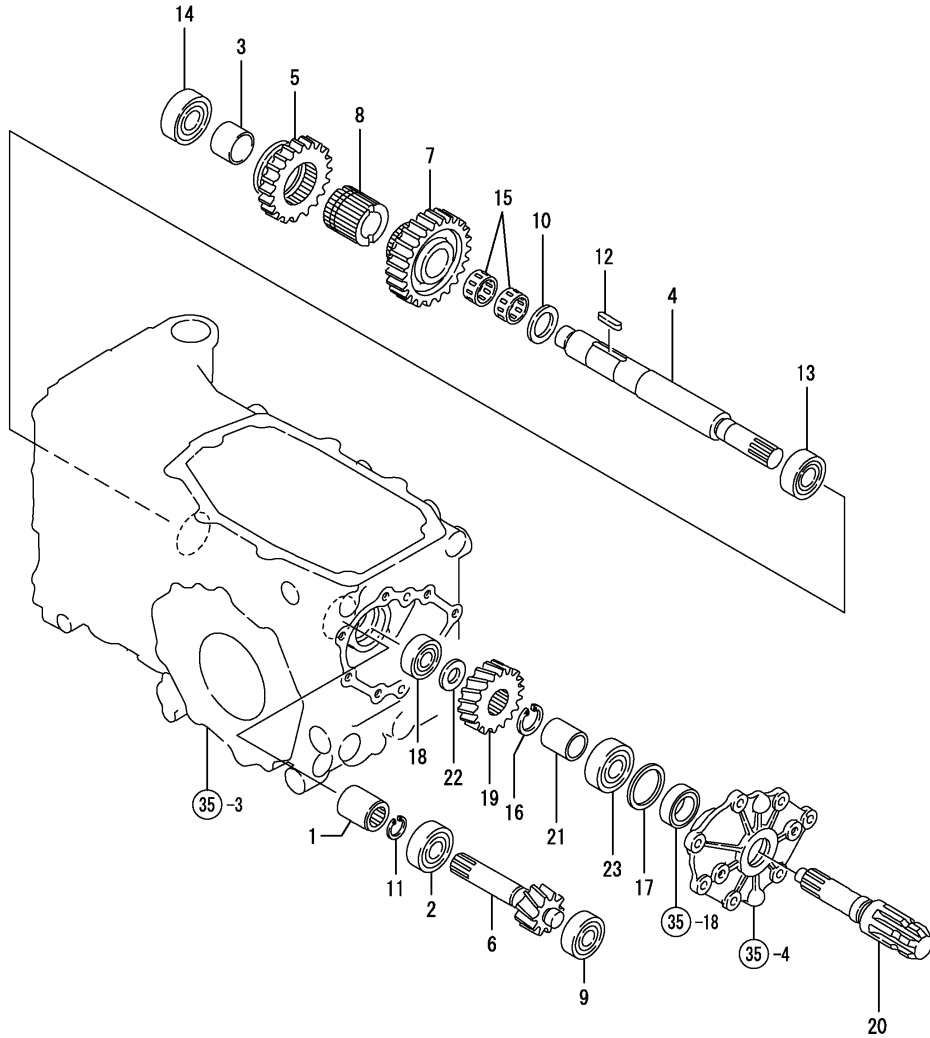
REF.	LEV.	PARTS NO.	DESCRIPTION	QTY						I	R
				(A)	(B)	(C)	(D)	(E)	(F)		
1	1	194306-13140	CIRCLIP 24-S	1	1						
2	1	194856-25330	WASHER 22X32X2.5	1	1						
3	1	198435-25720	GEAR 26,COUNTER	1	1						
4	1	198435-25730	COLLAR,COUNTR.SPLINE	1	1						
5	1	198435-25741	GEAR 34,COUNTER	1	1						
6	1	198163-25750	GEAR,COUNTER	1	1						
7	1	198435-25790	GEAR 24,SLIDE	1	1						
8	1	198421-25800	WASHER 35X47X2.5,THR	1	1						
9	1	198435-25801	GEAR 38-56,SLIDE	1	1						
10	1	198421-25810	COLLAR 25X36X4.5	1	1						
11	1	198435-25810	BEARING HOLDER	2	2						
12	1	198421-25820	COLLAR 32X41.5X1	1	1						
13	1	22551-050180	KEY 5X18	1	1						
14	1	24101-060044	BALL BEARING #6004	1	1						
15	1	24101-060064	BALL BEARING	1	1						
16	1	24101-063054	BEARING #6305	1	1						
17	1	24161-222610	NEEDLE BEARING	1	1						
18	1	26116-080202	BOLT M 8X 20 PLATED	4	4						
19	1	198435-25770	GEAR 17,COUNTER	1	1						



Fig.39. P.T.O DRIVE SHAFT

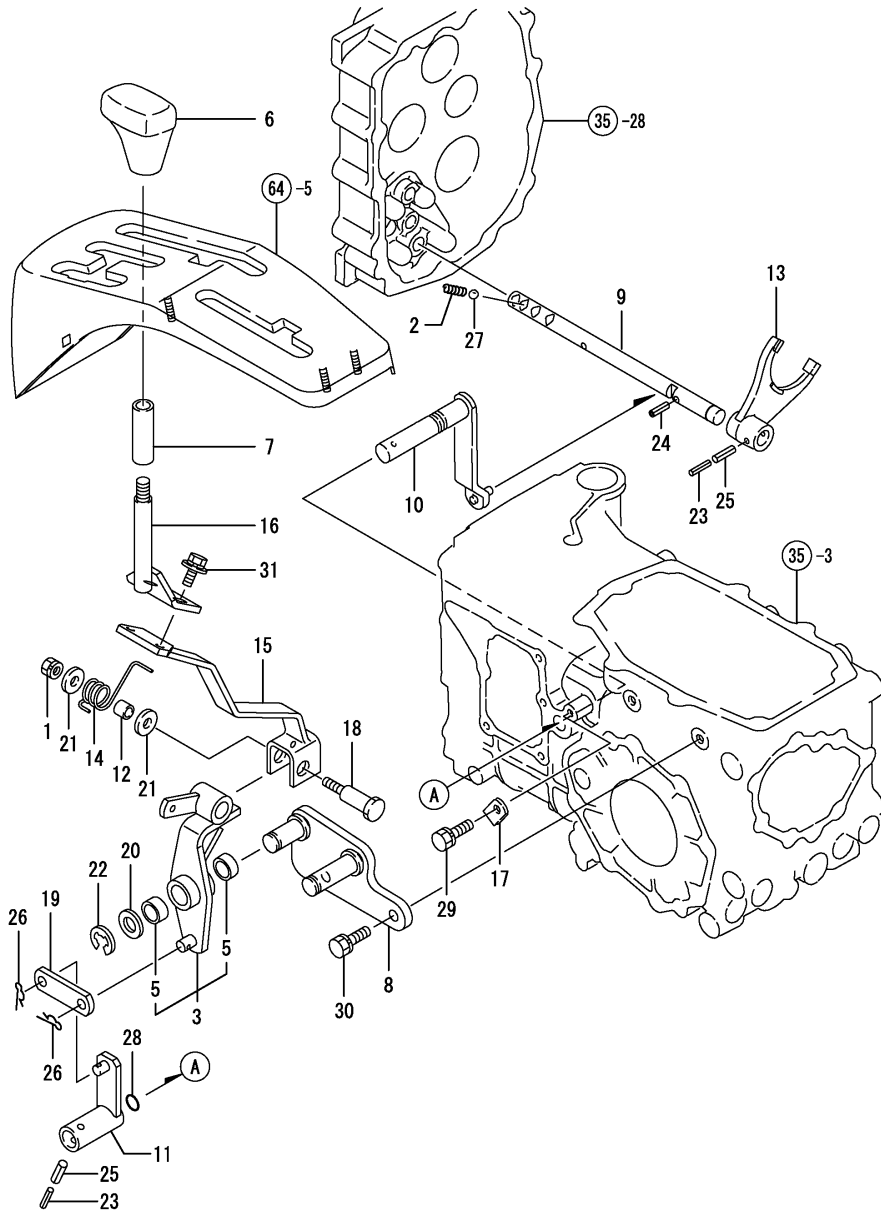
(A)=KE-140  
(B)=KE-160  
(C)=

(D)=  
(E)=  
(F)=



REF.	LEV.	PARTS NO.	DESCRIPTION	QTY						I	R
				(A)	(B)	(C)	(D)	(E)	(F)		
1	1	194310-25100	JOINT	1	1						
2	1	194515-25180	BALL BEARING	1	1						
3	1	198435-26100	COLLAR,PTO DRV.SHAFT	1	1						
4	1	198435-26110	SHAFT,P.T.O.DRIVE	1	1						
5	1	198435-26120	GEAR 27,P.T.O.SLIDE	1	1						
6	1	198163-26130	GEAR,PTO	1	1						
7	1	198435-26180	GEAR 30,P.T.O.DRIVE	1	1						
8	1	198435-26192	COLLAR, SPLINE	1	1						
9	1	198165-26270	BEARING TMB302	1	1						
10	1	194191-28540	WASHER 25X38X 2.5	1	1						
11	1	22252-000170	CIRCLIP 17	1	1						
12	1	22551-070300	KEY 7X30	1	1						
13	1	24101-060044	BALL BEARING #6004	1	1						
14	1	24101-062044	BALL BEARING #6204	1	1						
15	1	24161-252910	NEEDLE BEARING	2	2						
16	1	194306-13140	CIRCLIP 24-S	1	1						
17	1	194855-24150	WASHER 36X45.5X1.2	1	1						
18	1	194850-25760	BALL BEARING	1	1						
19	1	198435-26320	GEAR 23,P.T.O.	1	1						
20	1	198421-26371	SHAFT,UFO P.T.O.	1	1						
21	1	198421-26380	COLLAR 25.4X31.8X35	1	1						
22	1	1E6190-54160	WASHER 17.2X30X1.5	1	1						
23	1	24101-060054	BALL BEARING 6005	1	1						

Fig.40. MAIN CHANGE



(A)=KE-140  
(B)=KE-160  
(C)=

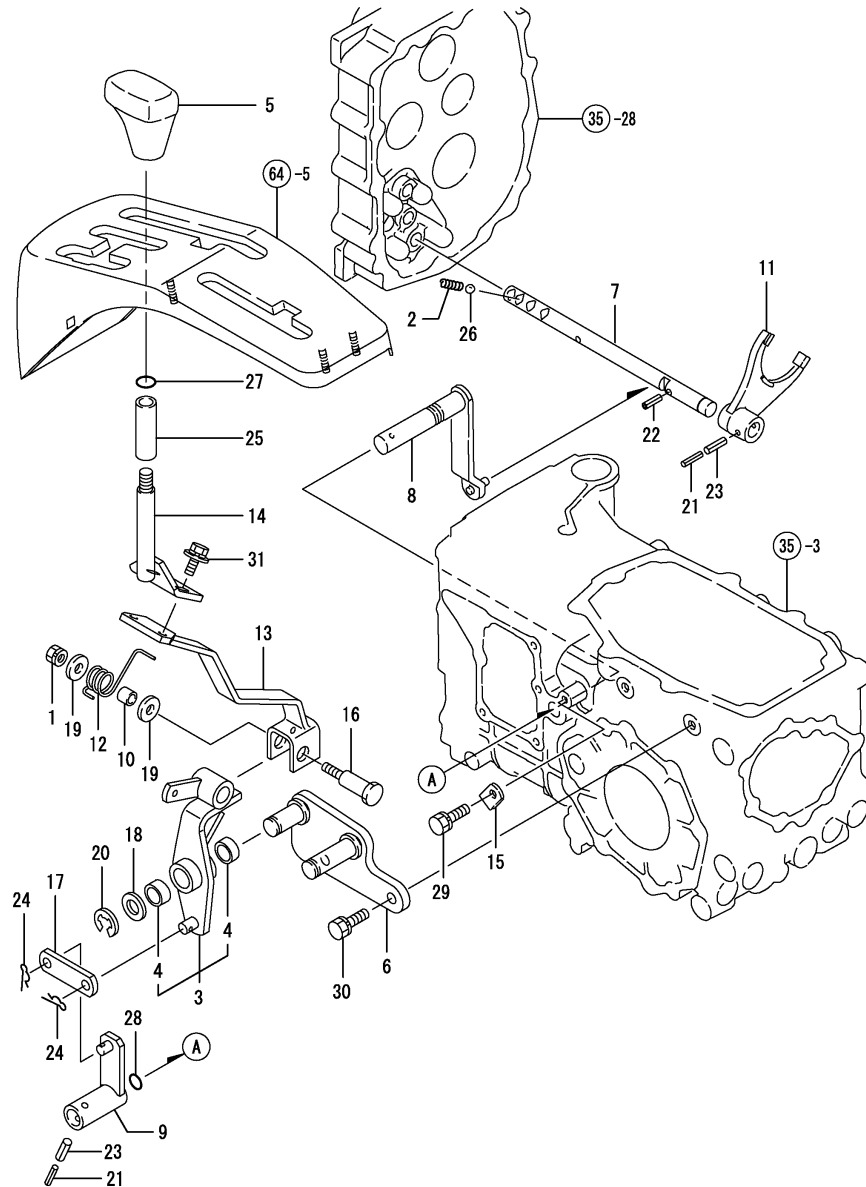
(D)=  
(E)=  
(F)=

REF.	LEV.	PARTS NO.	DESCRIPTION	Q'TY						I	R
				(A)	(B)	(C)	(D)	(E)	(F)		
1	1	194990-22050	NUT W/WASHER 8	1	1						
2	1	198421-27110	SPRING 38.4	1	1						
3	1	198163-27200	LEVER KIT,MAIN RANGE	1	1						
5	2	24550-018100	BUSH 18X10	2	2						
6	1	198421-27240	KNOB,MAIN CHG.LEVER	1	1						
6-1	1	1A7720-27240	KNOB	1	1						N
(A=F110221) (B=F110251)											
7	1	198165-27350	LEVER TUBE	1	1						
8	1	198163-27510	BRACKET, LEVER	1	1						
9	1	198163-27520	SHAFT FORK,M.CHANGE	1	1						
10	1	198421-27521	ARM, SHIFT	1	1						
11	1	198163-27530	LEVER A,MAIN CHANGE	1	1						
11-1	1	198163-27531	LEVER A,MAIN CHANGE	1	1						N
(A=FXXXXX) (B=FXXXXX)											
12	1	198163-27540	COLLAR	1	1						
13	1	198435-27551	FORK, SHIFT	1	1						
14	1	198163-27560	SPRING	1	1						
15	1	198163-27571	LEVER,MN CHANGE INNR	1	1						
15-1	1	198163-27572	LEVER, M.RANGE INNER	1	1						N
(A=F110170) (B=F110222)											
16	1	198163-27630	LEVER,MAIN CHANGE	1	1						
17	1	194197-27681	PLATE, KEEP	1	1						
18	1	198163-27910	PIN	1	1						
19	1	198327-47930	PLATE, LINK	1	1						
20	1	22137-180000	WASHER 18	1	1						
21	1	22157-080000	WASHER 8	2	2						
22	1	22272-000150	CIRCLIP E-15	1	1						
23	1	22351-035025	SPRING PIN 3.5X25	2	2						
24	1	22351-060020	SPRING PIN 6X20	1	1						
25	1	22351-060025	SPRING PIN 6X25	2	2						
26	1	22360-100000	SNAP PIN 10	2	2						
27	1	24190-100001	BALL 5/16, STEEL	1	1						
28	1	24311-000125	O-RING 1A P-12.5	1	1						
29	1	26013-080202	BOLT W/WASHER M8X20	1	1						
30	1	26013-080252	BOLT M 8X 25	2	2						
31	1	26018-080202	BOLT M 8X 20	2	2						

Fig.86. MAIN CHANGE(ADD.

(A)=KE-140  
(B)=KE-160  
(C)=

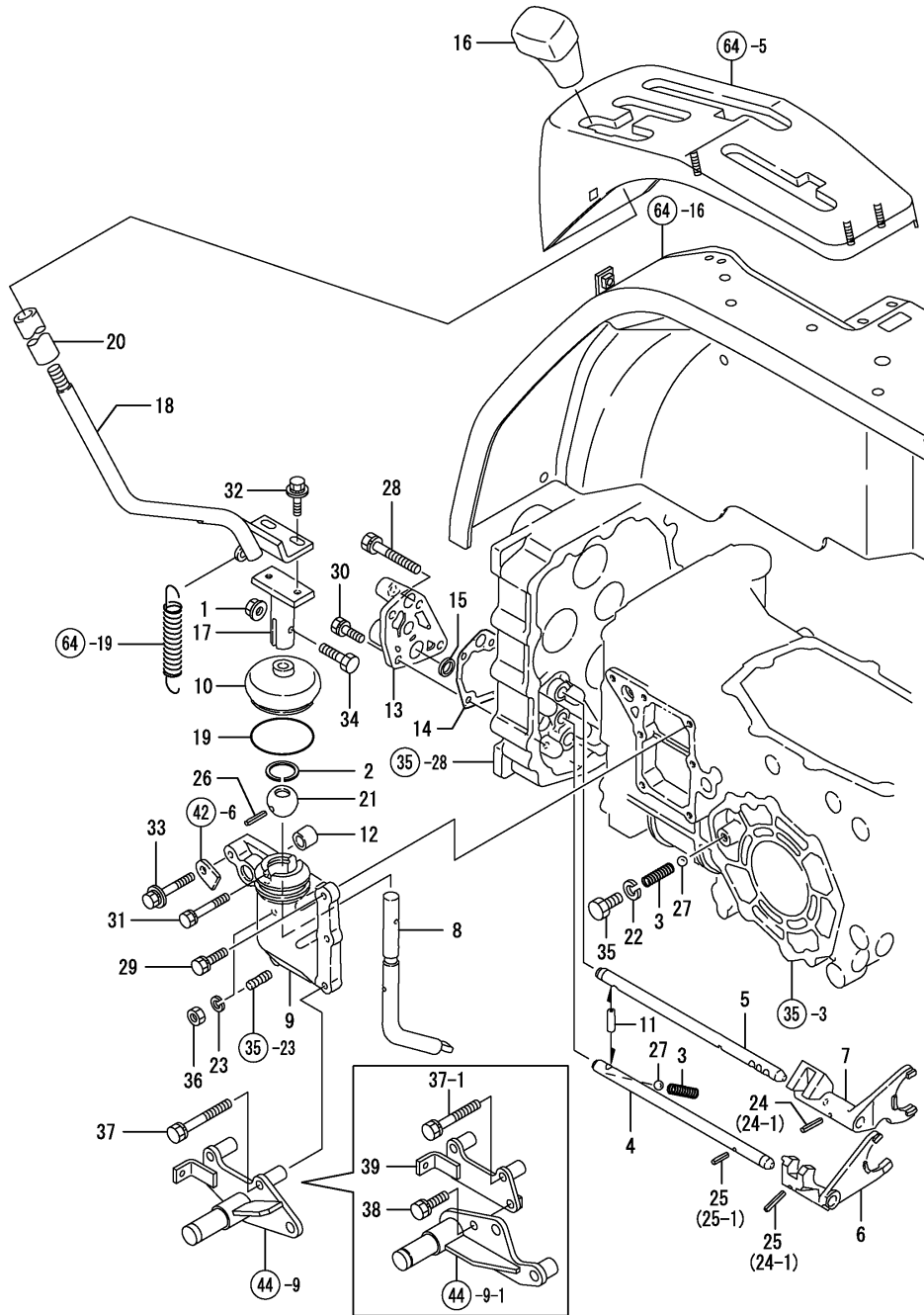
(D)=  
(E)=  
(F)=



REF.	LEV.	PARTS NO.	DESCRIPTION	Q'TY						I	R
				(A)	(B)	(C)	(D)	(E)	(F)		
1	1	194990-22050	NUT W/WASHER 8	1	1						
2	1	198421-27110	SPRING 38.4	1	1						
3	1	198163-27200	LEVER KIT,MAIN RANGE	1	1						
4	2	24550-018100	BUSH 18X10	2	2						
5	1	1A7720-27240	KNOB	1	1						
6	1	198163-27510	BRACKET, LEVER	1	1						
7	1	198163-27520	SHAFT FORK,M.CHANGE	1	1						
8	1	198421-27521	ARM, SHIFT	1	1						
9	1	198163-27531	LEVER A,MAIN CHANGE	1	1						
10	1	198163-27540	COLLAR	1	1						
11	1	198435-27551	FORK, SHIFT	1	1						
12	1	198163-27560	SPRING	1	1						
13	1	198163-27572	LEVER, M.RANGE INNER	1	1						
14	1	198163-27630	LEVER,MAIN CHANGE	1	1						
15	1	194197-27681	PLATE, KEEP	1	1						
16	1	198163-27910	PIN	1	1						
17	1	198327-47930	PLATE, LINK	1	1						
18	1	22137-180000	WASHER 18	1	1						
19	1	22157-080000	WASHER 8	2	2						
20	1	22272-000150	CIRCLIP E-15	1	1						
21	1	22351-035025	SPRING PIN 3.5X25	2	2						
22	1	22351-060020	SPRING PIN 6X20	1	1						
23	1	22351-060025	SPRING PIN 6X25	2	2						
24	1	22360-100000	SNAP PIN 10	2	2						
25	1	23061-150065	HOSE, 15 X 65	1	1						
26	1	24190-100001	BALL 5/16, STEEL	1	1						
27	1	24311-000110	O-RING 1A P-11.0	1	1						
28	1	24311-000125	O-RING 1A P-12.5	1	1						
29	1	26013-080202	BOLT W/WASHER M8X20	1	1						
30	1	26013-080252	BOLT M 8X 25	2	2						
31	1	26018-080202	BOLT M 8X 20	2	2						

Remarks  
\* FIGURE FOR POWER STEERING TYPE

Fig.41. SUB CHANGE



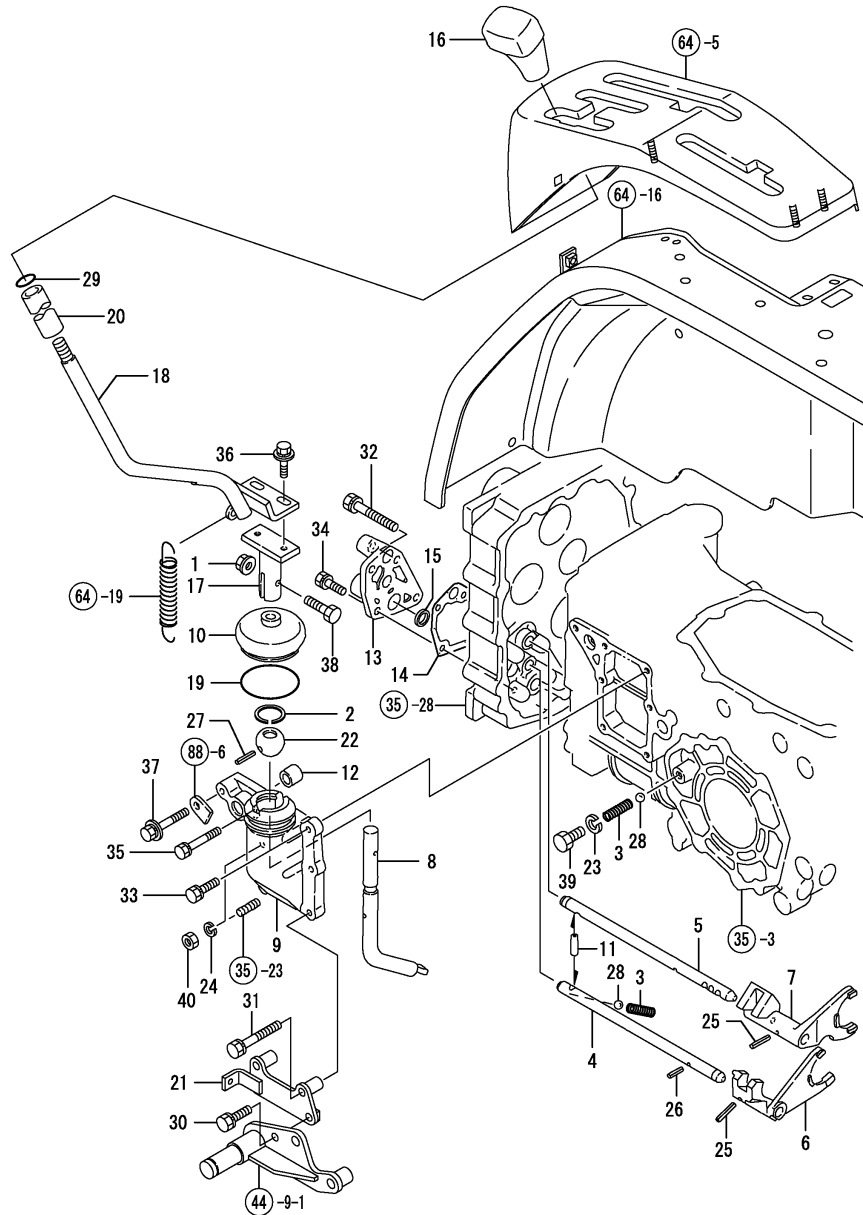
(A)=KE-140  
(B)=KE-160  
(C)=

(D)=  
(E)=  
(F)=

REF.	LEV.	PARTS NO.	DESCRIPTION	QTY						I	R
				(A)	(B)	(C)	(D)	(E)	(F)		
1	1	194990-22140	NUT W/WASHER 8	1	1						
2	1	1A1040-26320	CIRCLIP 30-H	1	1						
3	1	198421-27110	SPRING 38.4	2	2						
4	1	198163-27120	SHAFT H,FORK	1	1						
5	1	198163-27130	SHAFT L,FORK	1	1						
6	1	198435-27142	FORK, SHIFT	1	1						
7	1	198435-27151	FORK, SHIFT L	1	1						
8	1	198421-27160	ARM,MAIN CHANGE	1	1						
9	1	198421-27170	CASE,MAIN CHANGE	1	1						
10	1	198421-27180	BOOT,RUBBER	1	1						
11	1	198421-27190	SPINDLE 8X16	1	1						
12	1	198421-27200	BUSH 17X19X15	1	1						
13	1	198425-27213	CASE,FORK SHAFT	1	1						
14	1	198421-27220	PACKING,FORK SHFT.CS	1	1						
14-1	1	198421-27221	PACKING, SHAFT CASE	1	1						N
		(A=FXXXXX) (B=FXXXXX)									
15	1	198425-27230	COLLAR,FORK SHAFT CS	1	1						
16	1	198421-27240	KNOB,MAIN CHG.LEVER	1	1						
16-1	1	1A7720-27240	KNOB	1	1						N
		(A=F110221) (B=F110251)									
17	1	198435-27260	LEVER,SUB-CHG.LOWER	1	1						
18	1	198163-27270	LEVER,SUB-CHANGE	1	1						
19	1	198425-27290	O RING 35	1	1						
20	1	198165-27360	LEVER TUBE	1	1						
21	1	1E6140-56230	BALL, SHIFTER	1	1						
22	1	22217-100000	SPRING WASHER 10	1	1						
23	1	22287-080000	LOCKING WASHER	1	1						
24	1	22351-050020	SPRING PIN 5X20	1	1						
24-1	1	22351-050020	SPRING PIN 5X20	2	2						K
		(A=F110170) (B=F110222)									
25	1	22351-050025	SPRING PIN 5X25	2	2						
25-1	1	22351-050025	SPRING PIN 5X25	1	1						K
		(A=F110170) (B=F110222)									
26	1	22351-060040	SPRING PIN 6X40	1	1						
27	1	24190-100001	BALL 5/16, STEEL	2	2						
28	1	26013-080552	BOLT M 8X 55	1	1						
29	1	26016-080252	BOLT M 8X 25	2	2						
30	1	26016-080252	BOLT M 8X 25	3	3						
31	1	26016-080402	BOLT M 8X 40	1	1						
32	1	26018-080202	BOLT M 8X 20	2	2						
33	1	26018-080452	BOLT 8X 45	1	1						
34	1	26116-080304	BOLT M8 X 30 PLATED	1	1						
35	1	26116-100122	BOLT M10X 12 PLATED	1	1						
36	1	26716-080002	NUT M 8	1	1						
37	1	26016-080552	BOLT M8X55	2	2						
37-1	1	26013-080502	BOLT M 8X 50	2	2						N
		(A=F110066) (B=F110041)									
38	1	26013-080202	BOLT W/WASHER M8X20	1	1						W
		(A=F110066) (B=F110041)									
39	1	198163-36510	SUPPORT ASSY, HOLDER	1	1						W
		(A=F110066) (B=F110041)									

N:Old  $\xrightarrow{\text{Yes}}$  New, Q:Old  $\xrightarrow{\text{No}}$  New, R:Old  $\xrightarrow{\text{Yes}}$  New, S:Old  $\xrightarrow{\text{No}}$  New, W:Add, Z:Discontinued, F:Interchangeable by set, K:Q'ty Change  
(C)Copy Rights YANMAR CO.,LTD.

Fig.87. SUB CHANGE(ADD.)



(A)=KE-140  
(B)=KE-160  
(C)=

(D)=  
(E)=  
(F)=

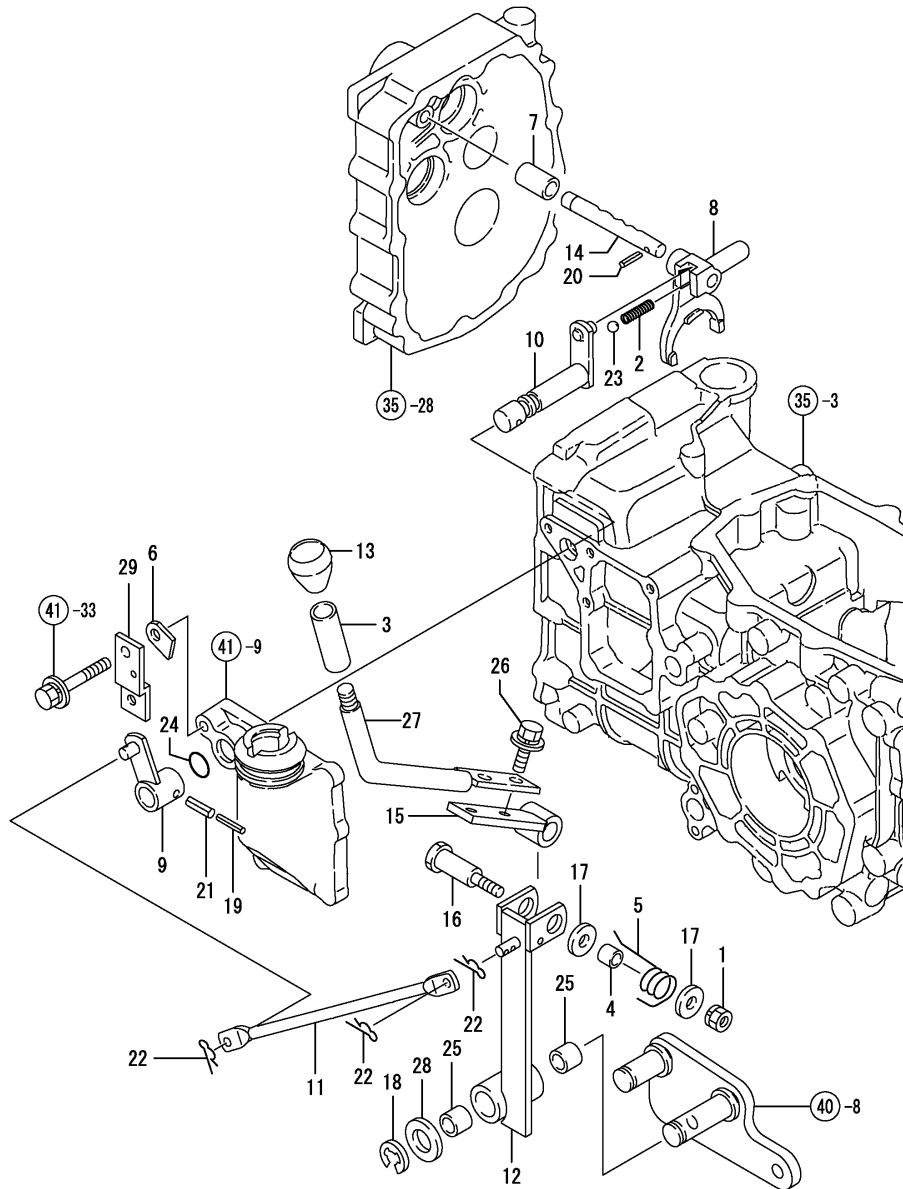
REF.	LEV.	PARTS NO.	DESCRIPTION	QTY						I	R
				(A)	(B)	(C)	(D)	(E)	(F)		
1	1	194990-22140	NUT W/WASHER 8	1	1						
2	1	1A1040-26320	CIRCLIP 30-H	1	1						
3	1	198421-27110	SPRING 38.4	2	2						
4	1	198163-27120	SHAFT H,FORK	1	1						
5	1	198163-27130	SHAFT L,FORK	1	1						
6	1	198435-27142	FORK, SHIFT	1	1						
7	1	198435-27151	FORK, SHIFT L	1	1						
8	1	198421-27160	ARM,MAIN CHANGE	1	1						
9	1	198421-27170	CASE,MAIN CHANGE	1	1						
10	1	198421-27180	BOOT,RUBBER	1	1						
11	1	198421-27190	SPINDLE 8X16	1	1						
12	1	198421-27200	BUSH 17X19X15	1	1						
13	1	198425-27213	CASE,FORK SHAFT	1	1						
14	1	198421-27221	PACKING, SHAFT CASE	1	1						
15	1	198425-27230	COLLAR,FORK SHAFT CS	1	1						
16	1	1A7720-27240	KNOB	1	1						
17	1	198435-27260	LEVER,SUB-CHG.LOWER	1	1						
18	1	198163-27270	LEVER,SUB-CHANGE	1	1						
19	1	198425-27290	O RING 35	1	1						
20	1	198165-27360	LEVER TUBE	1	1						
21	1	198163-36510	SUPPORT ASSY, HOLDER	1	1						
22	1	1E6140-56230	BALL, SHIFTER	1	1						
23	1	22217-100000	SPRING WASHER 10	1	1						
24	1	22287-080000	LOCKING WASHER	1	1						
25	1	22351-050020	SPRING PIN 5X20	2	2						
26	1	22351-050025	SPRING PIN 5X25	1	1						
27	1	22351-060040	SPRING PIN 6X40	1	1						
28	1	24190-100001	BALL 5/16, STEEL	2	2						
29	1	24311-000110	O-RING 1A P-11.0	1	1						
30	1	26013-080202	BOLT W/WASHER M8X20	1	1						
31	1	26013-080502	BOLT M 8X 50	2	2						
32	1	26013-080552	BOLT M 8X 55	1	1						
33	1	26016-080252	BOLT M 8X 25	2	2						
34	1	26016-080252	BOLT M 8X 25	3	3						
35	1	26016-080402	BOLT M 8X 40	1	1						
36	1	26018-080202	BOLT M 8X 20	2	2						
37	1	26018-080452	BOLT 8X 45	1	1						
38	1	26116-080304	BOLT M8 X 30 PLATED	1	1						
39	1	26116-100122	BOLT M10X 12 PLATED	1	1						
40	1	26716-080002	NUT M 8	1	1						

Remarks  
\* FIGURE FOR POWER STEERING TYPE

Fig.42. P.T.O CHANGE

(A)=KE-140  
(B)=KE-160  
(C)=

(D)=  
(E)=  
(F)=

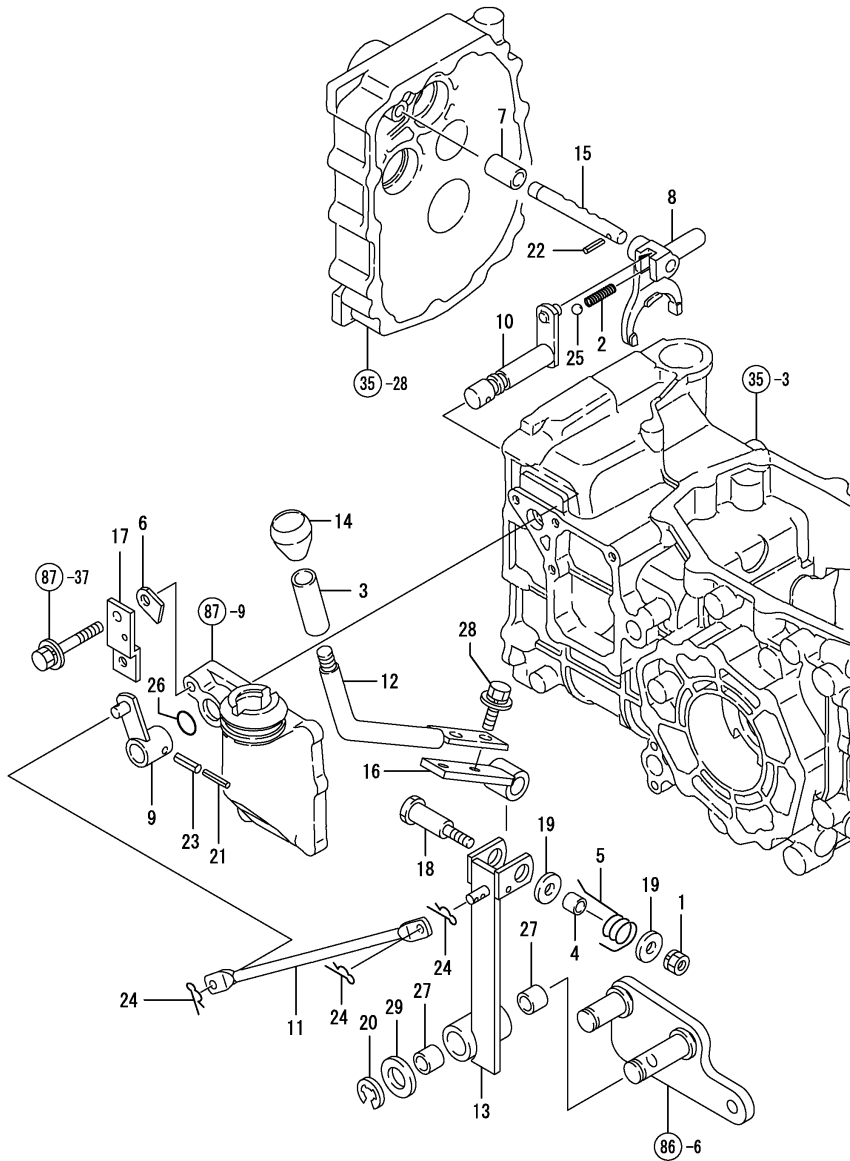


REF.	LEV.	PARTS NO.	DESCRIPTION	QTY						I	R
				(A)	(B)	(C)	(D)	(E)	(F)		
1	1	194990-22050	NUT W/WASHER 8	1	1						
2	1	198421-27110	SPRING 38.4	1	1						
3	1	198165-27350	LEVER TUBE	1	1						
4	1	198163-27540	COLLAR	1	1						
5	1	198163-27560	SPRING	1	1						
6	1	194197-27681	PLATE, KEEP	1	1						
7	1	198435-27700	COLLAR,PTO FK.SHAFT	1	1						
8	1	198435-27721	FORK, SHIFT	1	1						
9	1	198435-27731	ARM, P.T.O. SHIFT	1	1						
10	1	198435-27740	ARM,P.T.O.	1	1						
11	1	198435-27760	LINK,P.T.O.SHIFT	1	1						
12	1	198163-27790	LEVER,P.T.O.LOWER	1	1						
12-1	1	198163-27791	LEVER,P.T.O.LOWER	1	1						N
		(A=*2009.02.) (B=*2009.02.)									
13	1	194420-27810	KNOB	1	1						
13-1	1	1A7720-27810	KNOB	1	1						N
		(A=F110221) (B=F110251)									
14	1	198163-27810	SHAFT,PTO FORK	1	1						
15	1	198163-27840	LEVER,P.T.O.INNER	1	1						
16	1	198163-27910	PIN	1	1						
17	1	22157-080000	WASHER 8	2	2						
18	1	22272-000150	CIRCLIP E-15	1	1						
19	1	22351-035025	SPRING PIN 3.5X25	1	1						
20	1	22351-050020	SPRING PIN 5X20	1	1						
21	1	22351-060025	SPRING PIN 6X25	1	1						
22	1	22360-080000	SNAP PIN 8	3	3						
22-1	1	22372-080000	SNAP PIN (JASO 8)	3	3						N
		(A=F110517) (B=F110838)									
22-2	1	1C6281-52320	PIN 8,COME-OFF SNAP	3	3						R
		(A=*2009.02.) (B=*2009.02.)									
23	1	24190-100001	BALL 5/16, STEEL	1	1						
24	1	24311-000125	O-RING 1A P-12.5	1	1						
25	1	24550-018100	BUSH 18X10	2	2						
26	1	26018-080202	BOLT M 8X 20	2	2						
27	1	198163-27770	LEVER,PTO UPPER	1	1						
28	1	22137-180000	WASHER 18	1	1						
29	1	198163-27870	KEY	1	1						W
		(A=F110170) (B=F110222)									

Fig.88. P.T.O CHANGE(ADD.)

(A)=KE-140  
(B)=KE-160  
(C)=

(D)=  
(E)=  
(F)=



REF.	LEV.	PARTS NO.	DESCRIPTION	QTY						I	R
				(A)	(B)	(C)	(D)	(E)	(F)		
1	1	194990-22050	NUT W/WASHER 8	1	1						
2	1	198421-27110	SPRING 38.4	1	1						
3	1	198165-27350	LEVER TUBE	1	1						
4	1	198163-27540	COLLAR	1	1						
5	1	198163-27560	SPRING	1	1						
6	1	194197-27681	PLATE, KEEP	1	1						
7	1	198435-27700	COLLAR, PTO FK.SHAFT	1	1						
8	1	198435-27721	FORK, SHIFT	1	1						
9	1	198435-27731	ARM, P.T.O. SHIFT	1	1						
10	1	198435-27740	ARM, P.T.O.	1	1						
11	1	198435-27760	LINK, P.T.O.SHIFT	1	1						
12	1	198163-27770	LEVER, PTO UPPER	1	1						
13	1	198163-27790	LEVER, P.T.O.LOWER	1	1						
13-1	1	198163-27791	LEVER, P.T.O.LOWER	1	1						N
(A=*2009.02.) (B=*2009.02.)											
14	1	1A7720-27810	KNOB	1	1						
15	1	198163-27810	SHAFT, PTO FORK	1	1						
16	1	198163-27840	LEVER, P.T.O.INNER	1	1						
17	1	198163-27870	KEY	1	1						
18	1	198163-27910	PIN	1	1						
19	1	22157-080000	WASHER 8	2	2						
20	1	22272-000150	CIRCLIP E-15	1	1						
21	1	22351-035025	SPRING PIN 3.5X25	1	1						
22	1	22351-050020	SPRING PIN 5X20	1	1						
23	1	22351-060025	SPRING PIN 6X25	1	1						
24	1	22372-080000	SNAP PIN (JASO 8)	3	3						
24-1	1	1C6281-52320	PIN 8, COME-OFF SNAP	3	3						R
(A=*2009.02.) (B=*2009.02.)											
25	1	24190-100001	BALL 5/16, STEEL	1	1						
26	1	24311-000125	O-RING 1A P-12.5	1	1						
27	1	24550-018100	BUSH 18X10	2	2						
28	1	26018-080202	BOLT M 8X 20	2	2						
29	1	22137-180000	WASHER 18	1	1						

Remarks

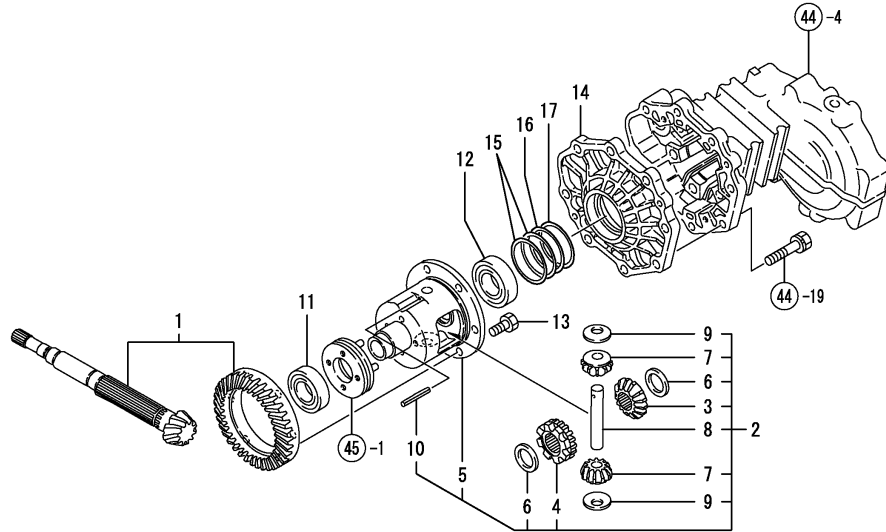
\* FIGURE FOR POWER STEERING TYPE

N:Old  $\begin{matrix} \leftarrow \text{Yes} \\ \text{No} \end{matrix}$  New, Q:Old  $\begin{matrix} \leftarrow \text{No} \\ \text{Yes} \end{matrix}$  New, R:Old  $\begin{matrix} \leftarrow \text{Yes} \\ \text{Yes} \end{matrix}$  New, S:Old  $\begin{matrix} \leftarrow \text{No} \\ \text{No} \end{matrix}$  New, W:Add, Z:Discontinued, F:Interchangeable by set, K:Q'ty Change

Fig.43. RING GEAR & DIFFERENTIAL GEAR

(A)=KE-140  
(B)=KE-160  
(C)=

(D)=  
(E)=  
(F)=

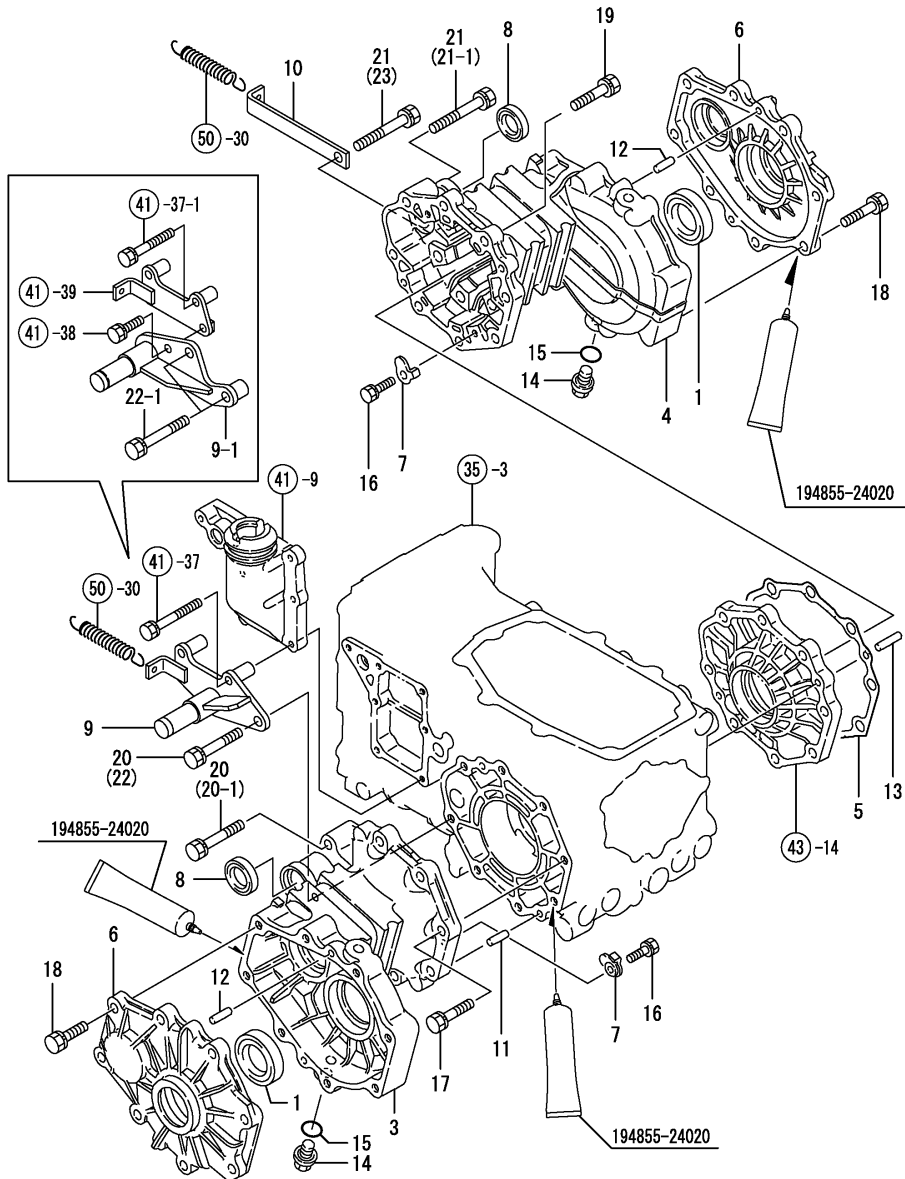


REF.	LEV.	PARTS NO.	DESCRIPTION	Q'TY						I	R
				(A)	(B)	(C)	(D)	(E)	(F)		
1	1	198164-31340	GEAR ASSY,RING	1	1						
2	1	1A6780-31500	CASE ASSY,DIFF	1	1						
3	2	198421-31510	GEAR,DIFF.SIDE	1	1						
4	2	1A6780-31520	GEAR, DIFF.SIDE(LOCK	1	1						
5	2	198421-31530	CASE,DIFFERENTIAL	1	1						
6	2	198421-31550	LINER,DIFF.SIDE GEAR	2	2						
7	2	194300-31560	GEAR, DIFFERENTIAL	2	2						
8	2	194300-31570	SHAFT, DIFFERENTIAL	1	1						
9	2	194300-31620	WASHER, DIFFERENTIAL	2	2						
10	2	22351-040040	SPRING PIN 4X40	1	1						
11	1	24101-060064	BALL BEARING	1	1						
12	1	24101-060074	BALL BEARING	1	1						
13	1	26156-100162	BOLT M10X16	6	6						
14	1	198165-32311	CARRIER,DIFFERENTIAL	1	1						
15	1	198421-32320	SHIM 0.1,DIF.CARRIER	2	2						1
16	1	198421-32330	SHIM 0.3,DIF.CARRIER	1	1						1
17	1	198421-32340	SHIM 0.5,DIF.CARRIER	1	1						1

Remarks  
(1) SELECT PARTS



Fig.44. REAR HOUSING



OCNP3-G97000 44. REAR HOUSING

(A)=KE-140  
(B)=KE-160  
(C)=

(D)=  
(E)=  
(F)=

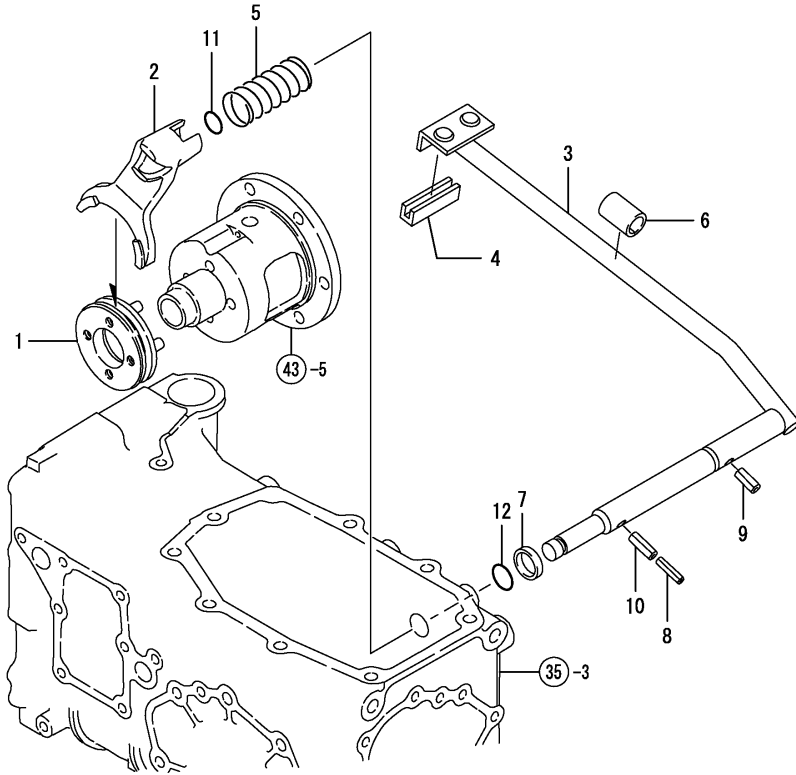
REF.	LEV.	PARTS NO.	DESCRIPTION	QTY						I	R
				(A)	(B)	(C)	(D)	(E)	(F)		
1	1	194447-13650	SEAL TC6Y445711.5	2	2						
3	1	198165-32610	HOUSING L,REAR AXLE	1	1						
4	1	198165-32620	HOUSING R,REAR AXLE	1	1						
5	1	198421-32630	PACKING,HOUSING	1	1						
6	1	198425-32640	COVER,REAR AXLE	2	2						
7	1	198421-32660	STOPPER,STEEL PLATE	4	4						
8	1	198290-32750	SEAL TC253506,OIL	2	2						
9	1	198163-36550	HOLDER, CAM LEVER A	1	1						
9-1	1	198163-36551	HOLDER, CAM LEVER A	1	1						S
		(A=F110066) (B=F110041)									
9-2	1	198163-36552	STAY	1	1						N
		(A=F110170) (B=F110089)									
10	1	198163-36590	PLATE, HOOK	1	1						
10-1	1	198163-36610	PLATE, HOOK	1	1						N
		(A=F110066) (B=F110041)									
11	1	22312-080180	PARALLEL PIN 8X16	2	2						
12	1	22312-080200	PARALLEL PIN 8X20	4	4						
13	1	22312-080320	PARALLEL PIN 8X32	2	2						
14	1	23491-140002	PLUG 14	2	2						
15	1	24311-000160	O-RING 1A P-16.0	2	2						
16	1	26013-080202	BOLT W/WASHER M8X20	4	4						
16-1	1	26106-080162	BOLT M 8X 16 PLATED	4	4						R
		(A=*2009.03.) (B=*2009.03.)									
17	1	26013-100402	BOLT M10X 40	6	6						
17-1	1	26013-100402	BOLT M10X 40	5	5						K
		(A=F110066) (B=F110041)									
18	1	26013-100402	BOLT M10X 40	16	16						
19	1	26013-100502	BOLT M10X 50	6	6						
20	1	26013-100552	BOLT M10X 55	2	2						
20-1	1	26013-100552	BOLT M10X 55	1	1						K
		(A=F110170) (B=F110089)									
21	1	26013-100652	BOLT 10X65 W/SP.WSHR	2	2						
21-1	1	26013-100652	BOLT 10X65 W/SP.WSHR	1	1						K
		(A=F110066) (B=F110041)									
22	1	26013-100602	BOLT M10X 60	1	1						W
		(A=F110066) (B=F110041)									
22-1	1	26013-100602	BOLT M10X 60	2	2						K
		(A=F110170) (B=F110089)									
23	1	26013-100702	BOLT 10X70 W/SP.WSHR	1	1						W
		(A=F110066) (B=F110041)									
23-1	1	26016-100702	BOLT M10X 70	1	1						N
		(A=F110170) (B=F110222)									

Fig.45. DIFFERENTIAL LOCK

0CNP3-G97000 45. DIFFERENTIAL LOCK

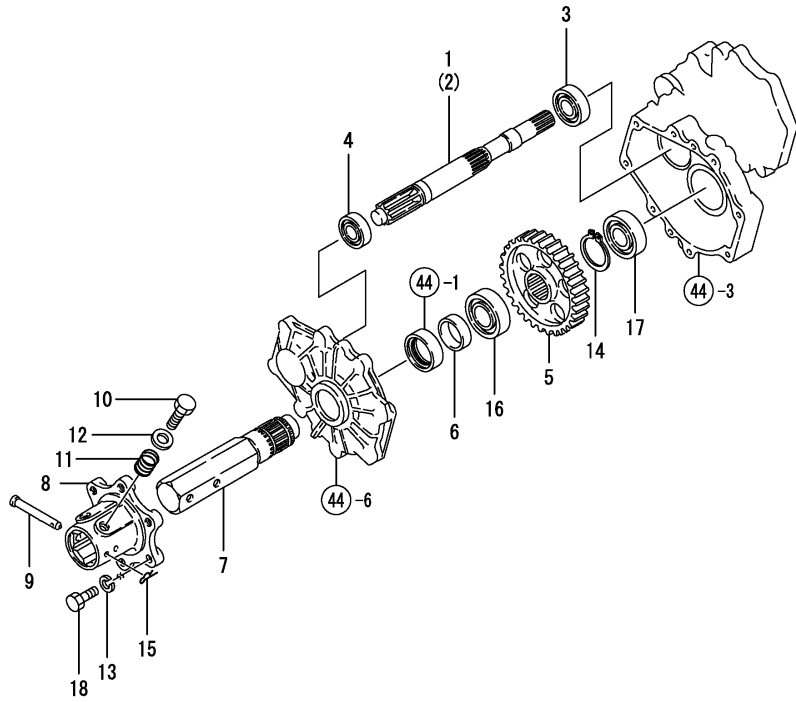
(A)=KE-140  
(B)=KE-160  
(C)=

(D)=  
(E)=  
(F)=



REF.	LEV.	PARTS NO.	DESCRIPTION	QTY						I	R
				(A)	(B)	(C)	(D)	(E)	(F)		
1	1	198421-33110	SLIDER,DIFF.LOCK	1	1						
2	1	198421-33120	FORK,DIFF.LOCK SHIFT	1	1						
3	1	198162-33130	PEDAL, DIFF. LOCK	1	1						
4	1	198162-33140	RUBBER 50,EDGE	1	1						
4-1	1	1A6750-61830	RUBBER	1	1						N
		(A=F110231) (B=F110297)									
5	1	198421-33140	SPRING,DIFF.LOCK	1	1						
6	1	198421-33150	PIPE,VINYL	1	1						
7	1	198421-33170	SPACER 20X25X3.2	1	1						
8	1	22351-050040	SPRING PIN 5X40	1	1						
9	1	22351-080032	SPRING PIN 8X32	1	1						
10	1	22351-080040	SPRING PIN 8X40	1	1						
11	1	24311-000110	O-RING 1A P-11.0	1	1						
12	1	24311-000160	O-RING 1A P-16.0	1	1						

Fig.46. FINAL PINION & FINAL GEAR



0CNP3-G97000 46. FINAL PINION & FINAL GEAR

(A)=KE-140  
(B)=KE-160  
(C)=

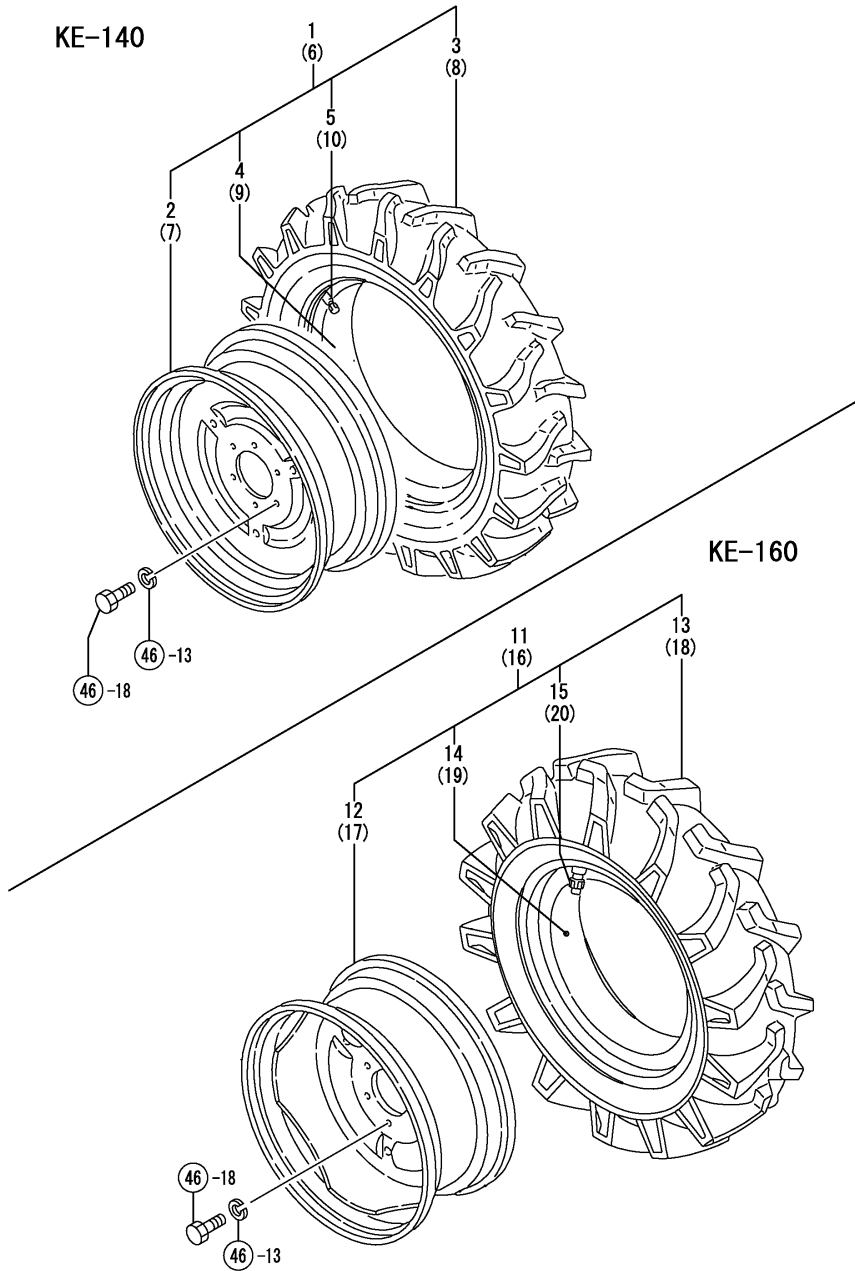
(D)=  
(E)=  
(F)=

REF.	LEV.	PARTS NO.	DESCRIPTION	QTY						I	R
				(A)	(B)	(C)	(D)	(E)	(F)		
1	1	198164-33410	PINION,FINAL	1	1						
2	1	198164-33420	PINION, FINAL	1	1						
3	1	24101-060060	BALL BEARING	2	2						
4	1	24101-062040	BALL BEARING	2	2						
5	1	198164-33510	GEAR,FINAL	2	2						
6	1	194447-13640	SLEEVE SI404415	2	2						
7	1	198421-34110	SHAFT,REAR AXLE	2	2						
8	1	198425-34730	HUB, WHEEL	2	2						
9	1	194200-34750	PIN 10X78	2	2						
10	1	1A1040-36010	BOLT, FLANGE	4	4						
11	1	1A1040-36040	SPRING, FLANGE BOLT	4	4						
12	1	22137-160000	WASHER 16,POLISHED	4	4						
13	1	22217-120000	SPRING WASHER 12	12	12						
14	1	22242-000400	CIRCLIP 40	2	2						
15	1	22372-100000	SNAP PIN 10	2	2						
16	1	24101-060080	BALL BEARING	2	2						
17	1	24101-062060	BALL BEARING	2	2						
18	1	26156-120252	BOLT M12X 25 PLATED	12	12						

Fig.47. REAR WHEEL TIRE

(A)=KE-140  
(B)=KE-160  
(C)=

(D)=  
(E)=  
(F)=

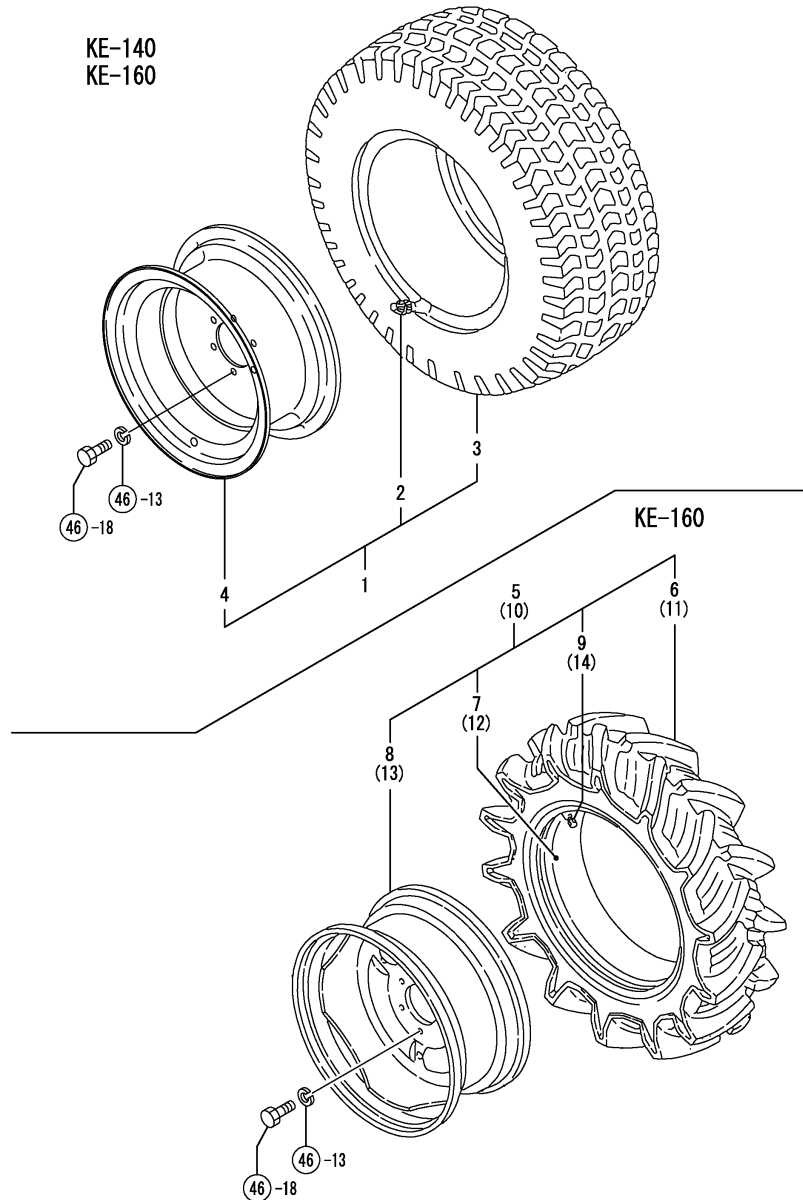


REF.	LEV.	PARTS NO.	DESCRIPTION	QTY						I	R
				(A)	(B)	(C)	(D)	(E)	(F)		
1	1	198425-34911	TIRE L CMP.,REAR WHL	1							
2	2	198425-34931	WHEEL	1							
3	2	198421-34950	TIRE 7-16	1							
4	2	198421-34960	TUBE	1							
5	2	194190-34730	HOUSING,CORE	1							
6	1	198425-34921	TIRE R CMP.,REAR WHL	1							
7	2	198425-34931	WHEEL	1							
8	2	198421-34950	TIRE 7-16	1							
9	2	198421-34960	TUBE	1							
10	2	194190-34730	HOUSING,CORE	1							
11	1	198435-34730	TIRE L CMP.,RR.WHEEL		1						
12	2	198435-34720	WHEEL 5JA*16WDC		1						
13	2	198435-34750	TIRE,8-16FL15		1						
14	2	198431-34830	TUBE		1						
15	2	194190-34730	HOUSING,CORE		1						
16	1	198435-34830	TIRE R CMP.,RR.WHEEL		1						
17	2	198435-34720	WHEEL 5JA*16WDC		1						
18	2	198435-34750	TIRE,8-16FL15		1						
19	2	198431-34830	TUBE		1						
20	2	194190-34730	HOUSING,CORE		1						

Fig.89. REAR WHEEL TIRE(ADD.)

(A)=KE-140  
(B)=KE-160  
(C)=

(D)=  
(E)=  
(F)=



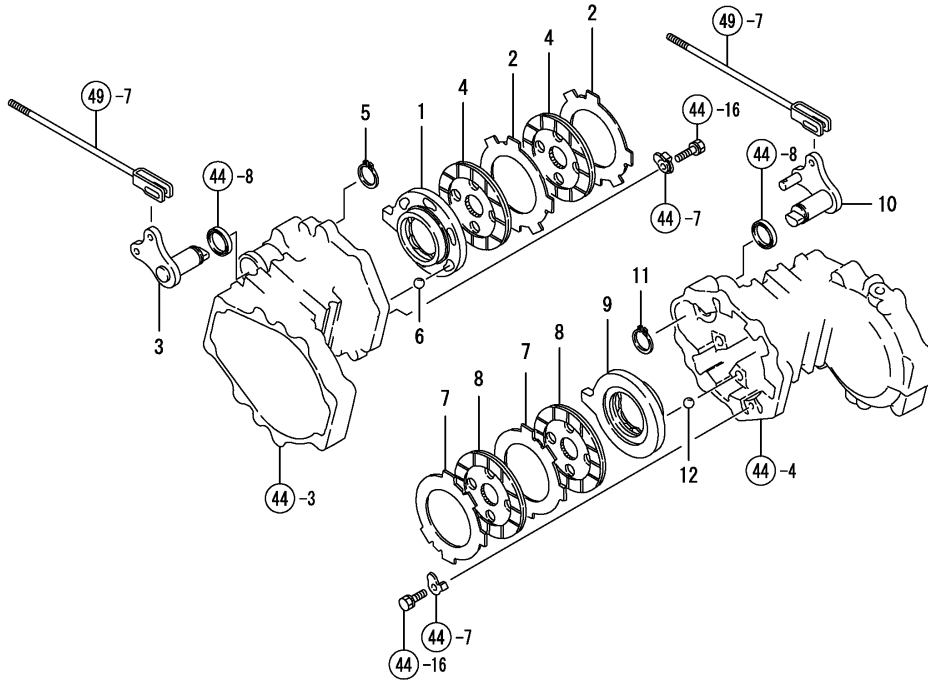
REF.	LEV.	PARTS NO.	DESCRIPTION	QTY						I	R
				(A)	(B)	(C)	(D)	(E)	(F)		
1	1	198163-34300	TIRE,REAR(TURF KIT	2	2						
2	2	194136-12880	VALVE TR413	2	2						
3	2	198163-34310	TURF TIRE 212/80	2	2						
4	2	198163-34320	WHEEL 7JAX15		2	2					
5	1	198164-34300	TIRE 8-18 L KIT			1					
6	2	198164-34320	TIRE 8-18			1					
7	2	198164-34330	TUBE			1					
8	2	198531-34730	WHEEL W6-18			1					
9	2	194190-34730	HOUSING,CORE			1					
10	1	198164-34350	TIRE 8-18 R KIT			1					
11	2	198164-34320	TIRE 8-18			1					
12	2	198164-34330	TUBE			1					
13	2	198531-34730	WHEEL W6-18			1					
14	2	194190-34730	HOUSING,CORE			1					

Remarks  
\* FIGURE FOR POWER STEERING TYPE

Fig.48. BRAKE

(A)=KE-140  
(B)=KE-160  
(C)=

(D)=  
(E)=  
(F)=

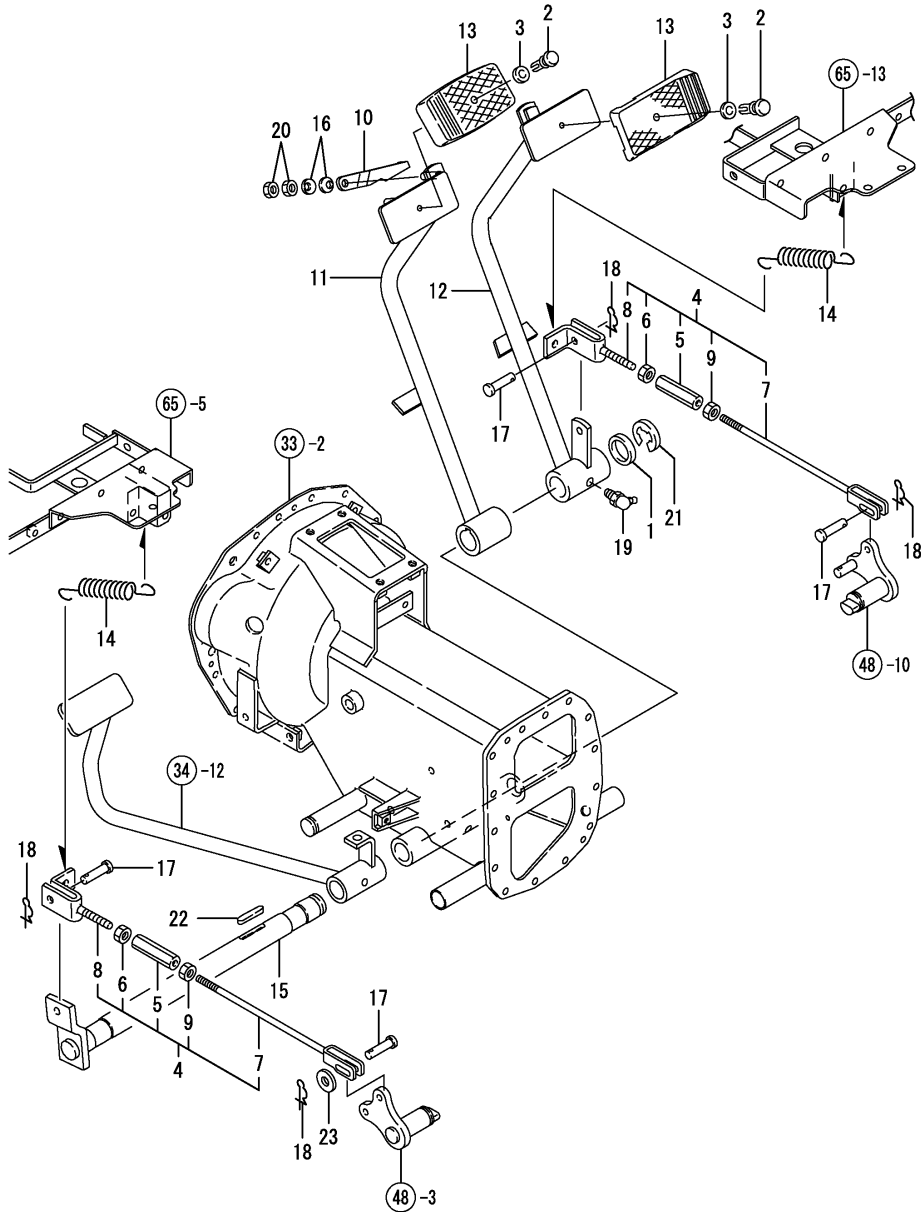


REF.	LEV.	PARTS NO.	DESCRIPTION	QTY						I	R
				(A)	(B)	(C)	(D)	(E)	(F)		
1	1	198421-36310	ACTUATOR L	1	1						
2	1	198421-36321	PLATE 2.6P	2	2						
3	1	198165-36350	SHAFT,CAM LEVER LH	1	1						
4	1	198421-36380	PLATE 116, FRICTION	2	2						
5	1	22242-000250	CIRCLIP 25S	1	1						
6	1	24190-160001	BALL 1/2	6	6						
7	1	198421-36321	PLATE 2.6P	2	2						
8	1	198421-36380	PLATE 116, FRICTION	2	2						
9	1	198421-36410	ACTUATOR (R)	1	1						
10	1	198165-36450	SHAFT,CAM LEVER RH	1	1						
11	1	22242-000250	CIRCLIP 25S	1	1						
12	1	24190-160001	BALL 1/2	6	6						

Fig.49. BRAKE PEDAL

(A)=KE-140  
(B)=KE-160  
(C)=

(D)=  
(E)=  
(F)=

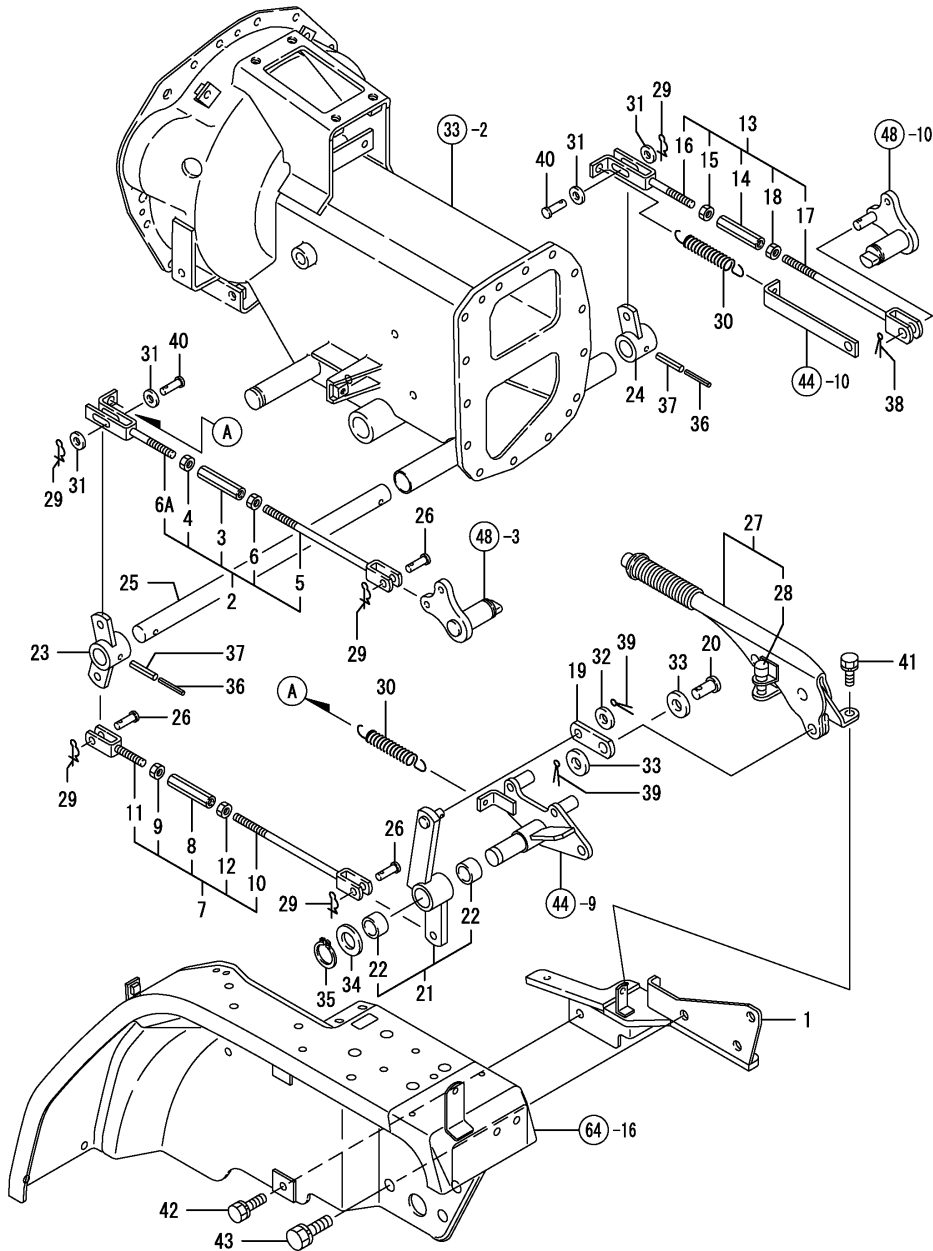


REF.	LEV.	PARTS NO.	DESCRIPTION	QTY						I	R
				(A)	(B)	(C)	(D)	(E)	(F)		
1	1	1C6140-14050	SPACER 25.2X34X2	1	1						
2	1	198133-22510	RIVET,PEDAL HEAD	2	2						
3	1	198133-22530	WASHER,RIVET	2	2						
4	1	198163-36150	ROD, BRAKE A CMP	2	2						
5	2	194740-00322	TURNBUCKLE	2	2						
6	2	194990-20170	NUT W/WASHER 8	2	2						
7	2	198163-36210	ROD, BRAKE R.H	2	2						
8	2	198421-37750	SCREW,BRAKE ROD L	2	2						
9	2	26716-080002	NUT M 8	2	2						
10	1	198162-37340	CONNECTOR, B. PEDAL	1	1						
11	1	198163-37350	PEDAL ASSY, BRAKE L	1	1						
12	1	198163-37450	PEDAL ASSY, BRAKE R	1	1						
13	1	198071-37510	COVER,PEDAL HEAD	2	2						
14	1	198421-37511	SPRING,RETURN	2	2						
15	1	198421-37550	SHAFT,BRAKE PEDAL	1	1						
16	1	194300-37570	SPRING, CONICAL	2	2						
17	1	194080-37781	PIN 8X25	4	4						
18	1	1C6281-52320	PIN 8,COME-OFF SNAP	4	4						
19	1	24761-040000	NIPPLE B,GREASE	1	1						
20	1	26716-080002	NUT M 8	2	2						
21	1	22272-000190	CIRCLIP E-19	1	1						
22	1	22512-070400	KEY 7X 40	1	1						
23	1	1C6053-32020	WASHER 8.5X20X3.2	1	1						W
				(A=F110170)	(B=F110089)						

Fig.50. PARKING BRAKE

(A)=KE-140  
(B)=KE-160  
(C)=

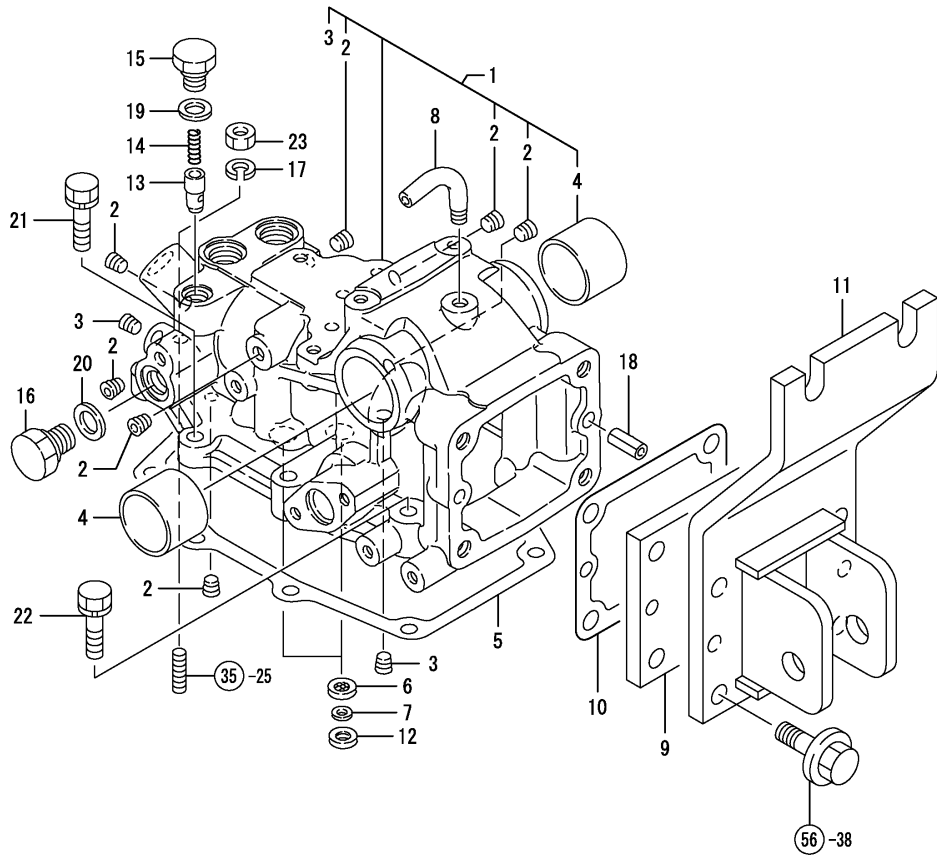
(D)=  
(E)=  
(F)=



REF.	LEV.	PARTS NO.	DESCRIPTION	QTY						I	R
				(A)	(B)	(C)	(D)	(E)	(F)		
1	1	198163-36100	HOLDER, BRAKE CMP	1	1						
2	1	198163-36160	ROD, P.B LA CMP	1	1						
3	2	194740-00322	TURNBUCKLE	1	1						
4	2	194990-20170	NUT W/WASHER 8	1	1						
5	2	198163-36230	ROD, LINK B R	1	1						
6	2	26716-080002	NUT M 8	1	1						
6A	2	198165-36220	ROD A	1	1						
7	1	198163-36170	ROD, P.B LB CMP	1	1						
8	2	194740-00322	TURNBUCKLE	1	1						
9	2	194990-20170	NUT W/WASHER 8	1	1						
10	2	198163-36230	ROD, LINK B R	1	1						
11	2	198165-36250	ROD D	1	1						
12	2	26716-080002	NUT M 8	1	1						
13	1	198163-36180	ROD, P.B R CMP	1	1						
14	2	194740-00322	TURNBUCKLE	1	1						
15	2	194990-20170	NUT W/WASHER 8	1	1						
16	2	198165-36220	ROD A	1	1						
17	2	198163-36240	ROD, LINK C R	1	1						
18	2	26716-080002	NUT M 8	1	1						
19	1	198165-36180	PLATE	1	1						
20	1	198165-36190	PIN	1	1						
21	1	198163-36650	LEVER ASSY, CAM A	1	1						
22	2	24550-020150	BUSH 20X15	2	2						
23	1	198163-36710	LEVER, BRAKE CAM L	1	1						
24	1	198163-36720	LEVER, BRAKE CAM R	1	1						
25	1	198165-36780	SHAFT, CAM LEVER	1	1						
26	1	194080-37781	PIN 8X25	3	3						
27	1	172512-42500	LEVER, PARKING	1	1						
28	2	172512-42650	SWITCH SET	1	1						
29	1	1C6281-52320	PIN 8, COME-OFF SNAP	5	5						
30	1	198421-62410	SPRING 12X100, TENSN	2	2						
31	1	22137-080000	WASHER 8, POLISHED	4	4						
32	1	22137-100000	WASHER 10, POLISHED	1	1						
33	1	22137-120000	WASHER 12, POLISHED	2	2						
34	1	22137-200000	WASHER 20, POLISHED	1	1						
35	1	22242-000200	CIRCLIP 20	1	1						
36	1	22351-035032	SPRING PIN 3.5X32	2	2						
37	1	22351-060032	SPRING PIN 6X32	2	2						
38	1	22417-200320	COTTER PIN 2.0X32	1	1						
38-1	1	22417-250250	COTTER PIN 2.5X25	1	1						N
		(A=F110170) (B=F110089)									
39	1	22417-250320	COTTER PIN 2.5X 32	2	2						
39-1	1	22417-250250	COTTER PIN 2.5X25	2	2						N
		(A=F110170) (B=F110089)									
40	1	22487-080240	PIN 8X 24	2	2						
41	1	26013-080162	BOLT W/WASHER M8X16	2	2						
42	1	26013-100202	BOLT W/WASHER M10X20	1	1						
43	1	26013-120302	BOLT W/WASHER M12X30	3	3						



Fig.51. HYDRAULIC CYLINDER CASE

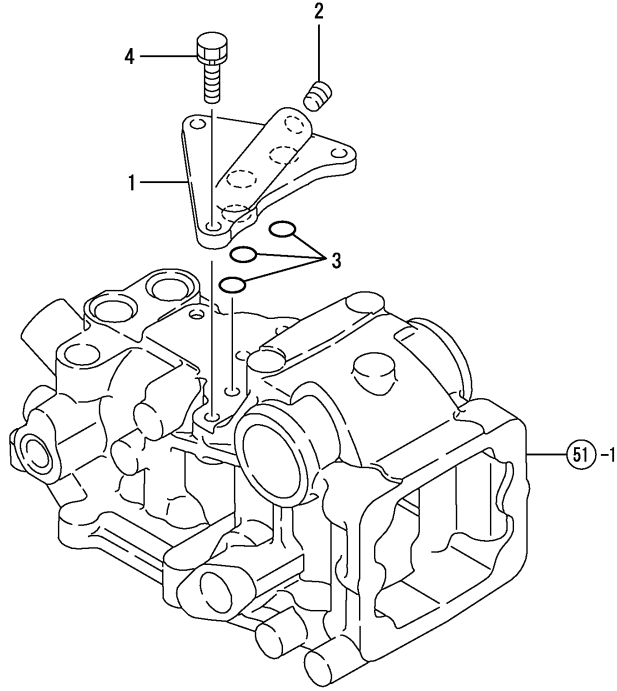


(A)=KE-140  
(B)=KE-160  
(C)=

(D)=  
(E)=  
(F)=

REF.	LEV.	PARTS NO.	DESCRIPTION	QTY						I	R
				(A)	(B)	(C)	(D)	(E)	(F)		
1	1	198421-42102	CASE, HYDRAULIC CYL.	1	1						
2	2	23871-010000	PLUG PT1/8, SCREW	7	7						
3	2	23871-020000	PLUG PT1/4, SCREW	2	2						
4	2	24550-040300	BUSH 40X30	2	2						
5	1	198165-42120	PACKING, CYLINDER	1	1						
6	1	194850-42180	STRAINER	2	2						
7	1	194850-42190	SPACER	2	2						
8	1	194205-42280	PIPE, AIR BREATHER	1	1						
8-1	1	198163-42950	PIPE, AIR BREATHER	1	1						N
(A=F110221) (B=F110251)											
9	1	198163-42810	PLATE, KEEP CMP	1	1						
10	1	194151-42832	GASKET, (NON-ASB.)	1	1						
11	1	198163-42850	HINGE, TOP LINK CMP	1	1						
12	1	194630-43230	PACKING	2	2						
13	1	194310-46350	POPPET, CHECK	1	1						
14	1	194310-46380	SPRING	1	1						
15	1	194310-46730	PLUG 14	1	1						
16	1	194312-46750	PLUG PF3/8	1	1						
17	1	22217-100000	SPRING WASHER 10	1	1						
18	1	22351-100025	SPRING PIN 10X25	2	2						
19	1	23414-140018	GASKET 14	1	1						
20	1	23414-170022	GASKET 17	1	1						
21	1	26016-100352	BOLT M10X 35	4	4						
22	1	26016-100452	BOLT M10X 45	4	4						
23	1	26716-100002	NUT 10	1	1						

Fig.52. HYDRAULIC SIDE COVER



0CNP3-G97000 52. HYDRAULIC SIDE COVER

(A)=KE-140  
(B)=KE-160  
(C)=

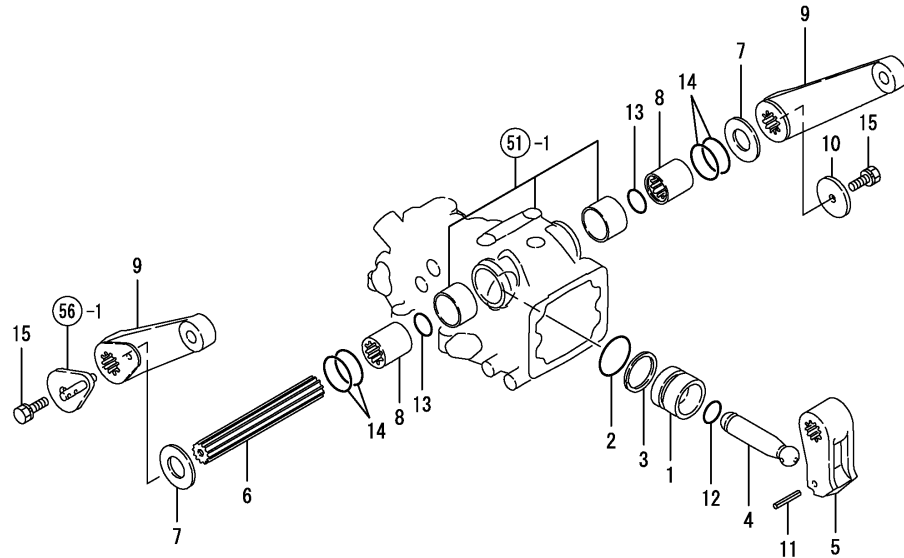
(D)=  
(E)=  
(F)=

REF.	LEV.	PARTS NO.	DESCRIPTION	Q'TY						I	R
				(A)	(B)	(C)	(D)	(E)	(F)		
1	1	198425-42220	COVER,HYD.CASE TOP	1	1						
2	1	23871-010000	PLUG PT1/8,SCREW	1	1						
3	1	24315-000110	O-RING 1B P-11.0	3	3						
4	1	26013-080252	BOLT M 8X 25	3	3						
4-1	1	26106-080202	BOLT M 8X 20 PLATED	3	3						R
		(A=*2009.03.)	(B=*2009.03.)								

Fig.53. PISTON & LIFT CRANK

(A)=KE-140  
(B)=KE-160  
(C)=

(D)=  
(E)=  
(F)=



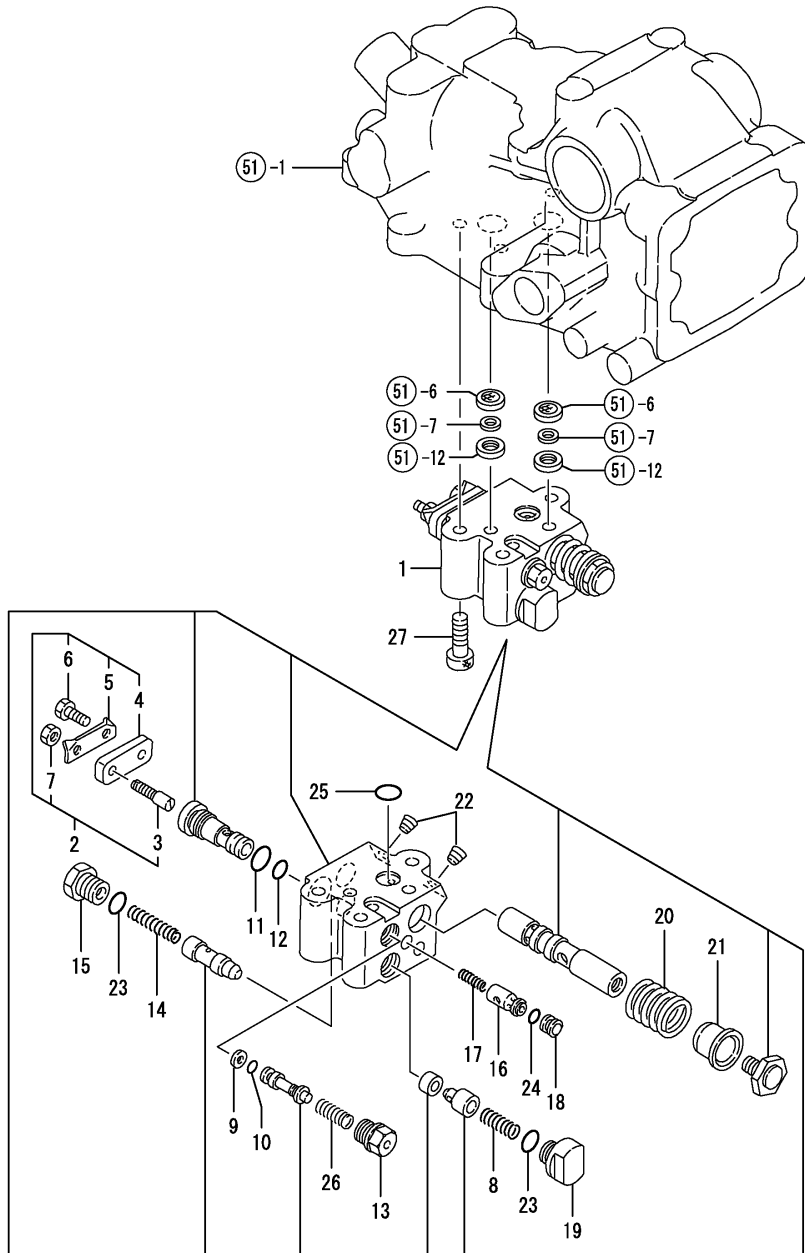
REF.	LEV.	PARTS NO.	DESCRIPTION	Q'TY						I	R
				(A)	(B)	(C)	(D)	(E)	(F)		
1	1	198163-43310	PISTON W/RINGS	1	1						
2	1	24315-000460	PACKING	1	1						
3	1	24372-000460	BACK UP RING T2 P	1	1						
4	1	198421-43410	ROD,PISTON	1	1						
5	1	198421-44110	CRANK,LIFT	1	1						
6	1	198421-44211	SHAFT,LIFT	1	1						
7	1	198421-44230	LINER 30X55X3	2	2						
8	1	198421-44250	SLEEVE,LIFT SHAFT	2	2						
9	1	198421-44410	ARM,LIFT	2	2						
10	1	194197-44610	WASHAR (43)	1	1						
11	1	22351-050040	SPRING PIN 5X40	1	1						
12	1	24311-000224	O-RING 1A P-22.4	1	1						
13	1	24341-000315	O-RING 1A S-31.5	2	2						
14	1	24351-020400	O-RING 1A 2040	4	4						
15	1	26013-100252	BOLT W/WASHER M10X25	2	2						
15-1	1	26106-100252	BOLT M10X 25 PLATED	2	2						R

(A)="2009.03." (B)="2009.03."

Fig.54. CONTROL VALVE

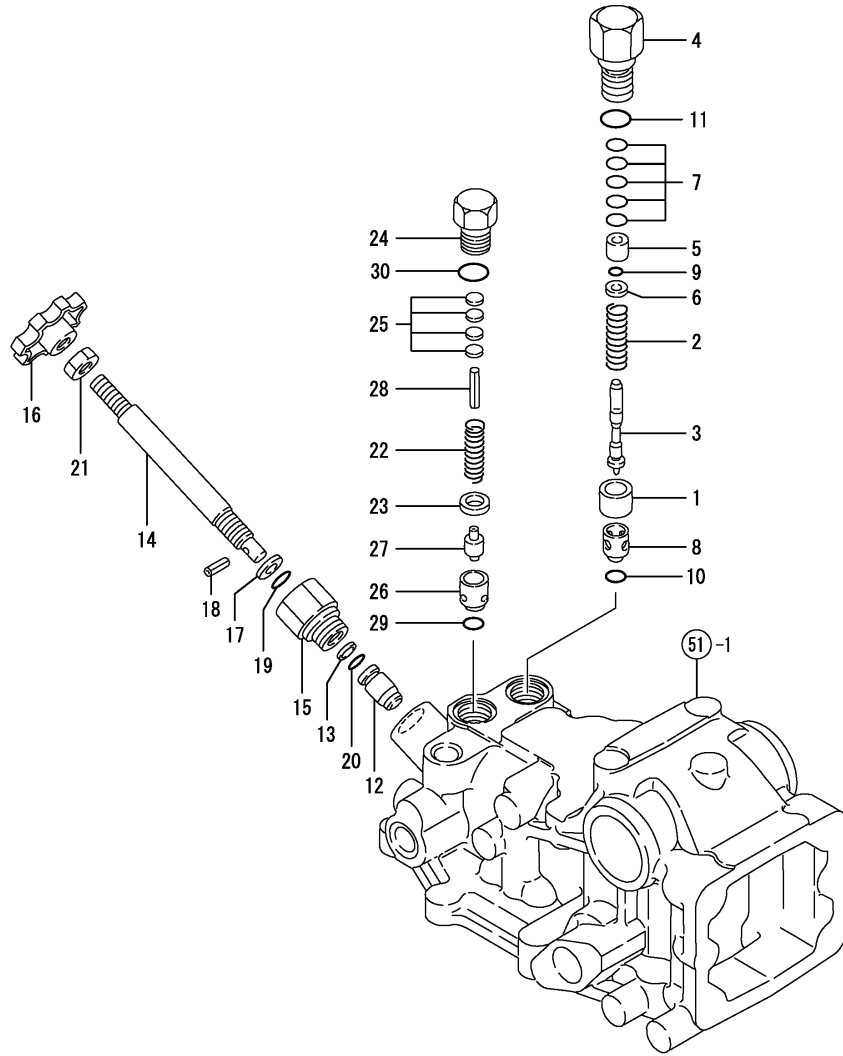
(A)=KE-140  
(B)=KE-160  
(C)=

(D)=  
(E)=  
(F)=



REF.	LEV.	PARTS NO.	DESCRIPTION	QTY						I	R
				(A)	(B)	(C)	(D)	(E)	(F)		
1	1	198435-45201	VALVE ASSY, CONTROL	1	1						
2	2	1A6640-25210	BAR ASSY, PUSH	1	1						
3	3	194170-45220	BAR, PUSH	1	1						
4	3	194170-45550	BAR, SPOOL	1	1						
5	3	194170-45560	WASHER 12X40X0.6	1	1						
6	3	26116-060162	BOLT 6X16	1	1						
7	3	26756-060002	LOCK NUT 6	1	1						
8	2	1A6640-45230	VALVE, SP FLW.DIVID.	1	1						
9	2	194170-45430	RING, BACK UP	1	1						
10	2	24311-000050	O-RING 1A P-5.0	1	1						
11	2	24311-000140	O-RING 1A P-14.0	1	1						
12	2	24341-000112	O-RING 1A S-11.2	1	1						
12-1	2	168245-45400	O-RING S-11.2	1	1						N
		(A=FXXXXXX) (B=F110173)									
13	2	198421-45440	HOLDER, M.CHECK	1	1						
14	2	194170-45321	SPRING	1	1						
15	2	194850-45330	PLUG	1	1						
16	2	194170-45350	SPOOL	1	1						
17	2	194170-45360	SPRING	1	1						
18	2	194170-45370	PLUG	1	1						
19	2	194170-45440	PLUG	1	1						
20	2	194940-45520	SPRING,SPOOL	1	1						
21	2	194850-45560	HOLDER	1	1						
22	2	23871-010000	PLUG PT1/8,SCREW	2	2						
23	2	24311-000120	O-RING 1A P 12.0	2	2						
24	2	24315-000070	O-RING 1B P-7.0	1	1						
25	2	24315-000110	O-RING 1B P-11.0	1	1						
26	2	194170-45230	SPRING	1	1						
27	1	26450-080252	BOLT M 8X 25	3	3						

Fig.55. VALVE(RELIEF,STOP,SAFETY)



OCNP3-G97000 55. VALVE(RELIEF,STOP,SAFETY)

(A)=KE-140  
(B)=KE-160  
(C)=

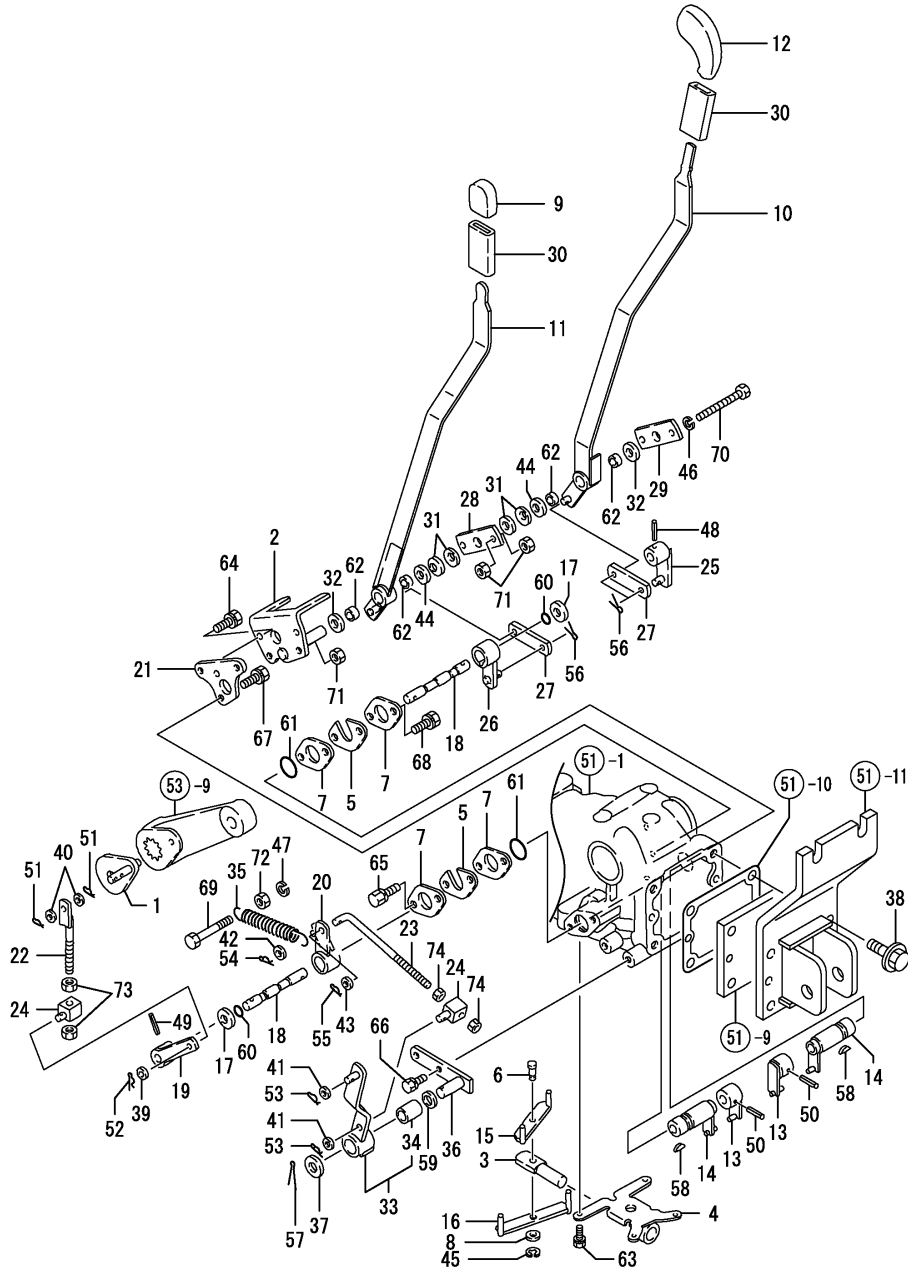
(D)=  
(E)=  
(F)=

REF.	LEV.	PARTS NO.	DESCRIPTION	Q'TY						I	R
				(A)	(B)	(C)	(D)	(E)	(F)		
1	1	198220-45340	COLLAR, VALVE SEAT	1	1						
2	1	198163-45610	SPRING,RELIEF VALVE	1	1						
3	1	194195-45620	POPPET	1	1						
4	1	198220-45630	PLUG, RELIEF VALVE	1	1						
5	1	194195-45640	SEAT, SPRING	1	1						
6	1	194195-45650	WASHER	1	1						
7	1	194850-45700	SHIM PACK	1	1						
8	1	194195-46260	SEAT, RELIEF VALVE	1	1						
9	1	194850-49230	O-RING 6X1.8	1	1						
10	1	24311-000120	O-RING 1A P 12.0	1	1						
11	1	24311-000180	O-RING 1A P-18.0	1	1						
12	1	198421-46302	VALVE, STOP	1	1						
13	1	194180-46320	RING, BACK UP	1	1						
14	1	194640-46620	BOLT, STOP	1	1						
15	1	194312-46630	HOLDER,VALVE (43)	1	1						
I 16	1	198220-46670	KNOB	1	1						
17	1	22117-080000	WASHER 8	1	1						
18	1	22351-040012	SPRING PIN 4X12	1	1						
19	1	24311-000120	O-RING 1A P 12.0	1	1						
20	1	24315-000100	O-RING 1B P-10.0	1	1						
21	1	26716-100002	NUT 10	1	1						
22	1	194150-45320	SPRING, RELIEF VALVE	1	1						
23	1	198220-45350	COLLAR	1	1						
24	1	198220-45370	PLUG, SAFETY VALVE	1	1						
25	1	198220-46400	SHIM PACK	1	1						
26	1	194640-46410	SEAT, SAFETY VALVE	1	1						
27	1	194640-46420	POPPET, SAFETY VALVE	1	1						
28	1	22351-060028	SPRING PIN 6X28	1	1						
29	1	24311-000120	O-RING 1A P 12.0	1	1						
30	1	24311-000180	O-RING 1A P-18.0	1	1						

Fig.56. HYDRAULIC CONTROL

(A)=KE-140  
(B)=KE-160  
(C)=

(D)=  
(E)=  
(F)=



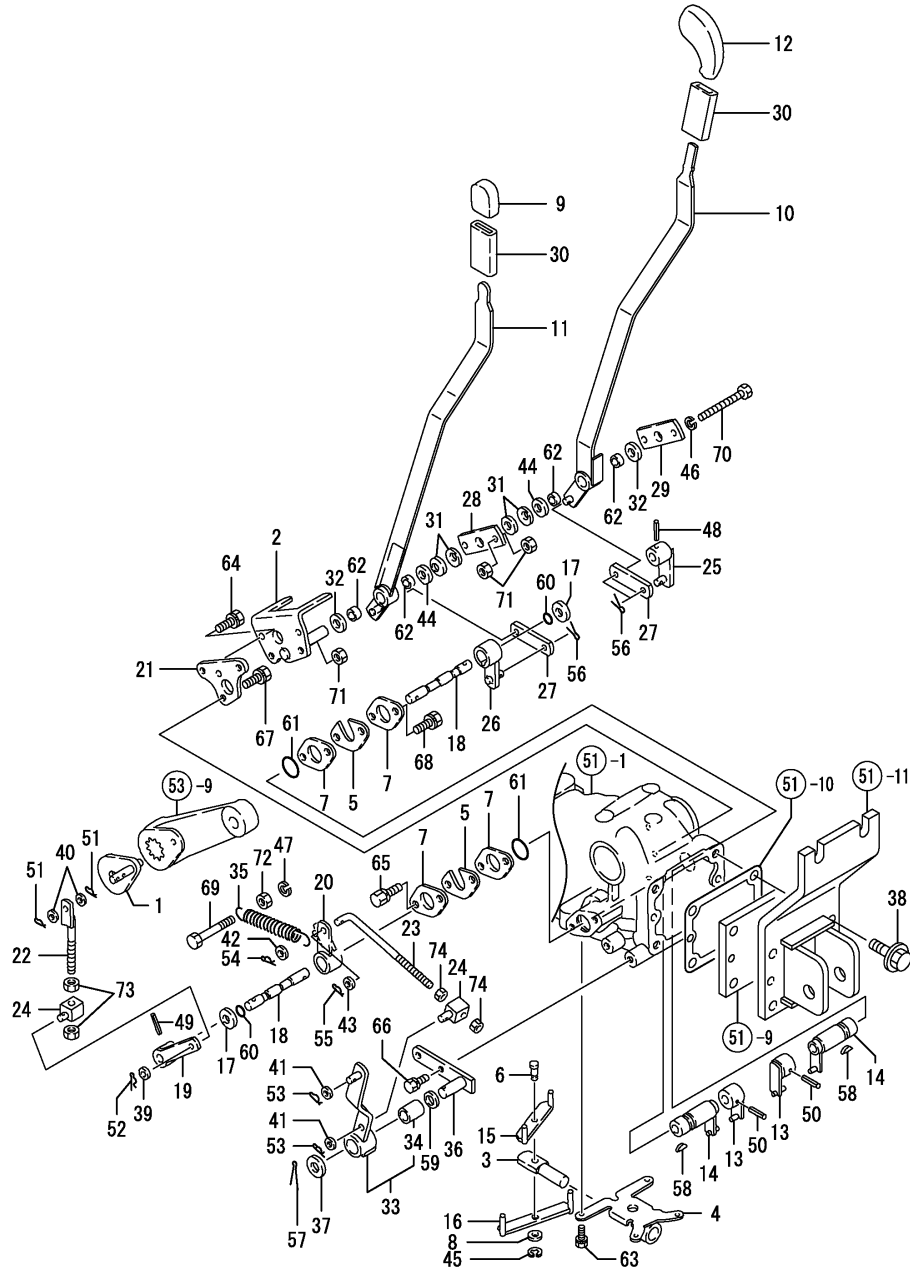
REF.	LEV.	PARTS NO.	DESCRIPTION	QTY						I	R
				(A)	(B)	(C)	(D)	(E)	(F)		
1	1	198431-44510	ARM,FEEDBACK	1	1						
2	1	198435-47310	STOPPER, CONTROL	1	1						
3	1	198431-47320	ROD,CONTROL	1	1						
4	1	198431-47330	PLATE	1	1						
5	1	194555-47340	PLATE (A)	2	2						
6	1	198431-47340	PIN,CONTROL	1	1						
7	1	194555-47350	PLATE	4	4						
8	1	198431-47350	WASHER	1	1						
9	1	198435-47350	KNOB,AUTO-ROTARY	1	1						
9-1	1	194273-47910	KNOB	1	1						N
		(A=F110221) (B=F110251)									
10	1	198163-47360	LEVER,PRESS.CONTROL	1	1						
11	1	198163-47370	LEVER,DIFF.CONTROL	1	1						
I	12	194215-47380	KNOB	1	1						
13	1	198431-47390	ARM,POSITION SET	2	2						
14	1	198431-47400	ARM,DRAFT SET	2	2						
15	1	198431-47420	BAR,POSITION CONTROL	1	1						
16	1	198431-47430	BAR,DRAFT CONTROL	1	1						
17	1	194180-47440	GASKET	2	2						
18	1	194208-47450	SHAFT, FEED BACK	2	2						
19	1	198431-47470	ARM,POS.FEEDBACK	1	1						
20	1	198431-47480	ARM,DRAFT FEEDBACK	1	1						
21	1	198435-47490	BASE,STOPF R	1	1						
22	1	194208-47510	ROD, FEED BACK	1	1						
23	1	198431-47520	ROD,DRAFT FEEDBACK	1	1						
24	1	194208-47530	ADJUSTER	2	2						
25	1	198435-47530	ARM, CONTROL	1	1						
26	1	198435-47540	ARM, CONTROL	1	1						
27	1	198435-47550	LINK, CONTROL	2	2						
28	1	198435-47560	PLATE	1	1						
29	1	198435-47580	PLATE B	1	1						
30	1	198162-47630	TUBE,PROTECTIVE	2	2						
31	1	194151-47760	WASHER 12	4	4						
32	1	194310-47790	PLATE, FRICTION	2	2						
I	33	198163-47800	ARM,FEED BACK	1	1						
34	2	194310-21210	BUSH 15X20X25	1	1						
35	1	194215-47840	SPRING, RETURN	1	1						
36	1	198431-47870	PLATE,FEEDBACK	1	1						
37	1	194550-47910	SPACER 15X28X2	1	1						
38	1	198165-85960	BOLT M12X 45 PLATED	4	4						
39	1	22137-080000	WASHER 8, POLISHED	1	1						
40	1	22137-080000	WASHER 8, POLISHED	2	2						
41	1	22137-080000	WASHER 8, POLISHED	2	2						
42	1	22137-080000	WASHER 8, POLISHED	1	1						
43	1	22137-080000	WASHER 8, POLISHED	1	1						
44	1	22137-120000	WASHER 12,POLISHED	2	2						
45	1	22272-000060	CIRCLIP E- 6	1	1						
46	1	22287-080000	LOCKING WASHER	2	2						
47	1	22287-080000	LOCKING WASHER	1	1						
48	1	22351-050025	SPRING PIN 5X25	1	1						
49	1	22351-050025	SPRING PIN 5X25	1	1						

N:Old  $\begin{matrix} \leftarrow \text{Yes} \\ \text{No} \end{matrix}$  New, Q:Old  $\begin{matrix} \leftarrow \text{No} \\ \text{Yes} \end{matrix}$  New, R:Old  $\begin{matrix} \leftarrow \text{Yes} \\ \text{No} \end{matrix}$  New, S:Old  $\begin{matrix} \leftarrow \text{No} \\ \text{Yes} \end{matrix}$  New, W:Add, Z:Discontinued, F:Interchangeable by set, K:Q'ty Change  
++ CONTINUE ++  
(C)Copy Rights YANMAR CO.,LTD.

Fig.56. HYDRAULIC CONTROL

(A)=KE-140  
(B)=KE-160  
(C)=

(D)=  
(E)=  
(F)=

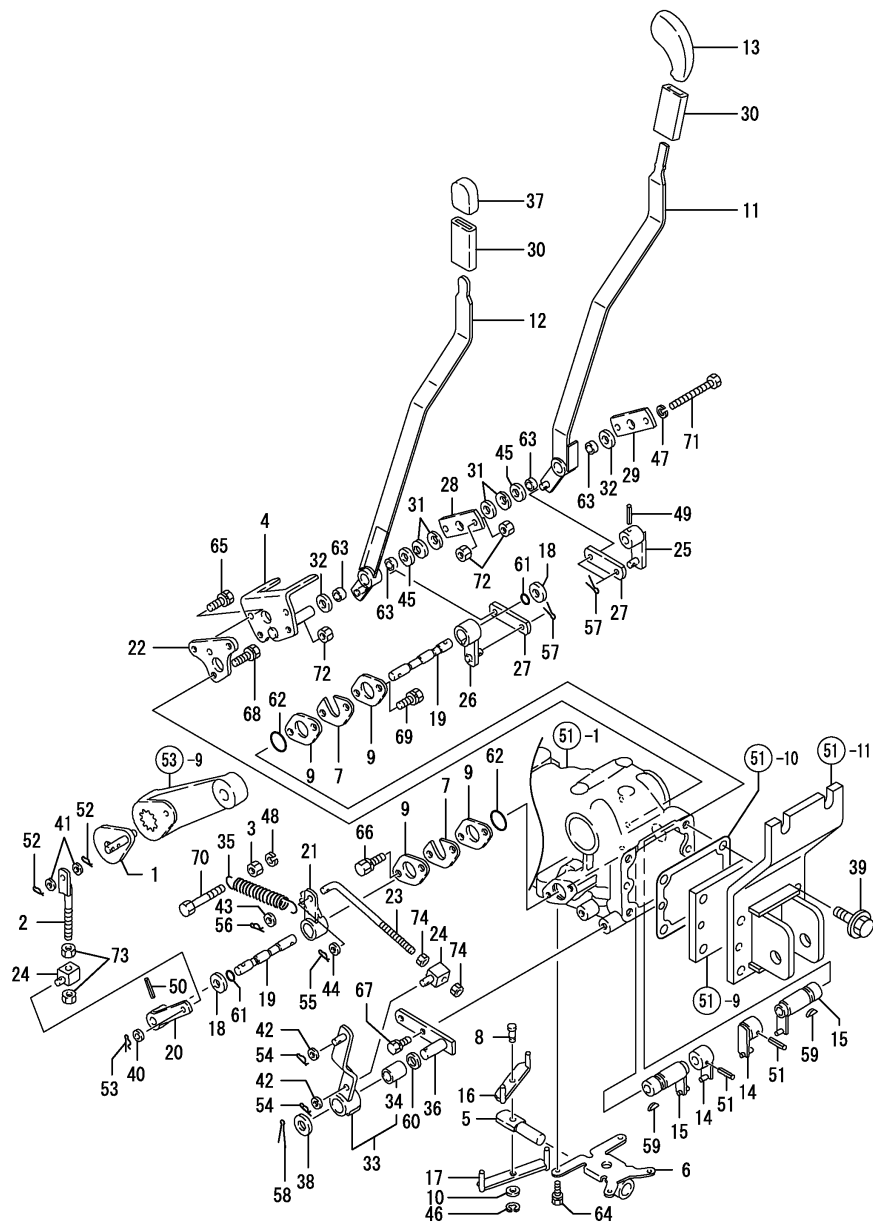


REF.	LEV.	PARTS NO.	DESCRIPTION	Q'TY						I	R
				(A)	(B)	(C)	(D)	(E)	(F)		
50	1	22351-050025	SPRING PIN 5X25	2	2						
51	1	22372-080000	SNAP PIN (JASO 8)	2	2						
52	1	22372-080000	SNAP PIN (JASO 8)	1	1						
53	1	22372-080000	SNAP PIN (JASO 8)	2	2						
54	1	22372-080000	SNAP PIN (JASO 8)	1	1						
55	1	22372-080000	SNAP PIN (JASO 8)	1	1						
56	1	22417-200160	COTTER PIN 2.0X16	4	4						
57	1	22417-250320	COTTER PIN 2.5X 32	1	1						
58	1	22522-030130	WOODRUFF KEY 3X13	2	2						
59	1	23414-150000	PACKING -15	1	1						
60	1	24311-000090	O-RING 1A P-9.0	2	2						
61	1	24311-000200	O-RING 1A P-20.0	2	2						
62	1	24550-012060	BUSH 12X 6	4	4						
63	1	26016-060162	BOLT M 6X 16	4	4						
64	1	26016-080122	BOLT M 8X 12	2	2						
65	1	26016-080202	BOLT M 8X 20	2	2						
66	1	26016-080202	BOLT M 8X 20	2	2						
67	1	26016-080202	BOLT M 8X 20	2	2						
68	1	26016-080202	BOLT M 8X 20	2	2						
69	1	26116-080552	BOLT 8X55	1	1						
70	1	26116-080804	BOLT M 8X 80 PLATED	2	2						
71	1	26716-080002	NUT M 8	6	6						
72	1	26716-080002	NUT M 8	1	1						
73	1	26716-080002	NUT M 8	2	2						
74	1	26716-080002	NUT M 8	2	2						

Fig.90. HYDRAULIC CONTROL(ADD.

(A)=KE-140  
(B)=KE-160  
(C)=

(D)=  
(E)=  
(F)=



REF.	LEV.	PARTS NO.	DESCRIPTION	QTY						I	R
				(A)	(B)	(C)	(D)	(E)	(F)		
1	1	198431-44510	ARM,FEEDBACK	1	1						
2	1	194208-47510	ROD, FEED BACK	1	1						
3	1	26716-080002	NUT M 8	1	1						
4	1	198435-47310	STOPPER, CONTROL	1	1						
5	1	198431-47320	ROD,CONTROL	1	1						
6	1	198431-47330	PLATE	1	1						
7	1	194555-47340	PLATE (A)	2	2						
8	1	198431-47340	PIN,CONTROL	1	1						
9	1	194555-47350	PLATE	4	4						
10	1	198431-47350	WASHER	1	1						
11	1	198163-47360	LEVER,PRESS.CONTROL	1	1						
12	1	198163-47370	LEVER,DIFF.CONTROL	1	1						
13	1	194215-47380	KNOB	1	1						
14	1	198431-47390	ARM,POSITION SET	2	2						
15	1	198431-47400	ARM,DRAFT SET	2	2						
16	1	198431-47420	BAR,POSITION CONTROL	1	1						
17	1	198431-47430	BAR,DRAFT CONTROL	1	1						
18	1	194180-47440	GASKET	2	2						
19	1	194208-47450	SHAFT, FEED BACK	2	2						
20	1	198431-47470	ARM,POS.FEEDBACK	1	1						
21	1	198431-47480	ARM,DRAFT FEEDBACK	1	1						
22	1	198435-47490	BASE,STOPF R	1	1						
23	1	198431-47520	ROD,DRAFT FEEDBACK	1	1						
24	1	194208-47530	ADJUSTER	2	2						
25	1	198435-47530	ARM, CONTROL	1	1						
26	1	198435-47540	ARM, CONTROL	1	1						
27	1	198435-47550	LINK, CONTROL	2	2						
28	1	198435-47560	PLATE	1	1						
29	1	198435-47580	PLATE B	1	1						
30	1	198162-47630	TUBE,PROTECTIVE	2	2						
31	1	194151-47760	WASHER 12	4	4						
32	1	194310-47790	PLATE, FRICTION	2	2						
33	1	198163-47800	ARM-FEEDBACK-ASSY	1	1						
34	2	194310-21210	BUSH 15X20X25	1	1						
35	1	194215-47840	SPRING, RETURN	1	1						
36	1	198431-47870	PLATE,FEEDBACK	1	1						
37	1	194273-47910	KNOB	1	1						
38	1	194550-47910	SPACER 15X28X2	1	1						
39	1	198165-85960	BOLT M12X 45 PLATED	4	4						
40	1	22137-080000	WASHER 8, POLISHED	1	1						
41	1	22137-080000	WASHER 8, POLISHED	2	2						
42	1	22137-080000	WASHER 8, POLISHED	2	2						
43	1	22137-080000	WASHER 8, POLISHED	1	1						
44	1	22137-080000	WASHER 8, POLISHED	1	1						
45	1	22137-120000	WASHER 12,POLISHED	2	2						
46	1	22272-000060	CIRCLIP E- 6	1	1						
47	1	22287-080000	LOCKING WASHER	2	2						
48	1	22287-080000	LOCKING WASHER	1	1						
49	1	22351-050025	SPRING PIN 5X25	1	1						
50	1	22351-050025	SPRING PIN 5X25	1	1						
51	1	22351-050025	SPRING PIN 5X25	2	2						

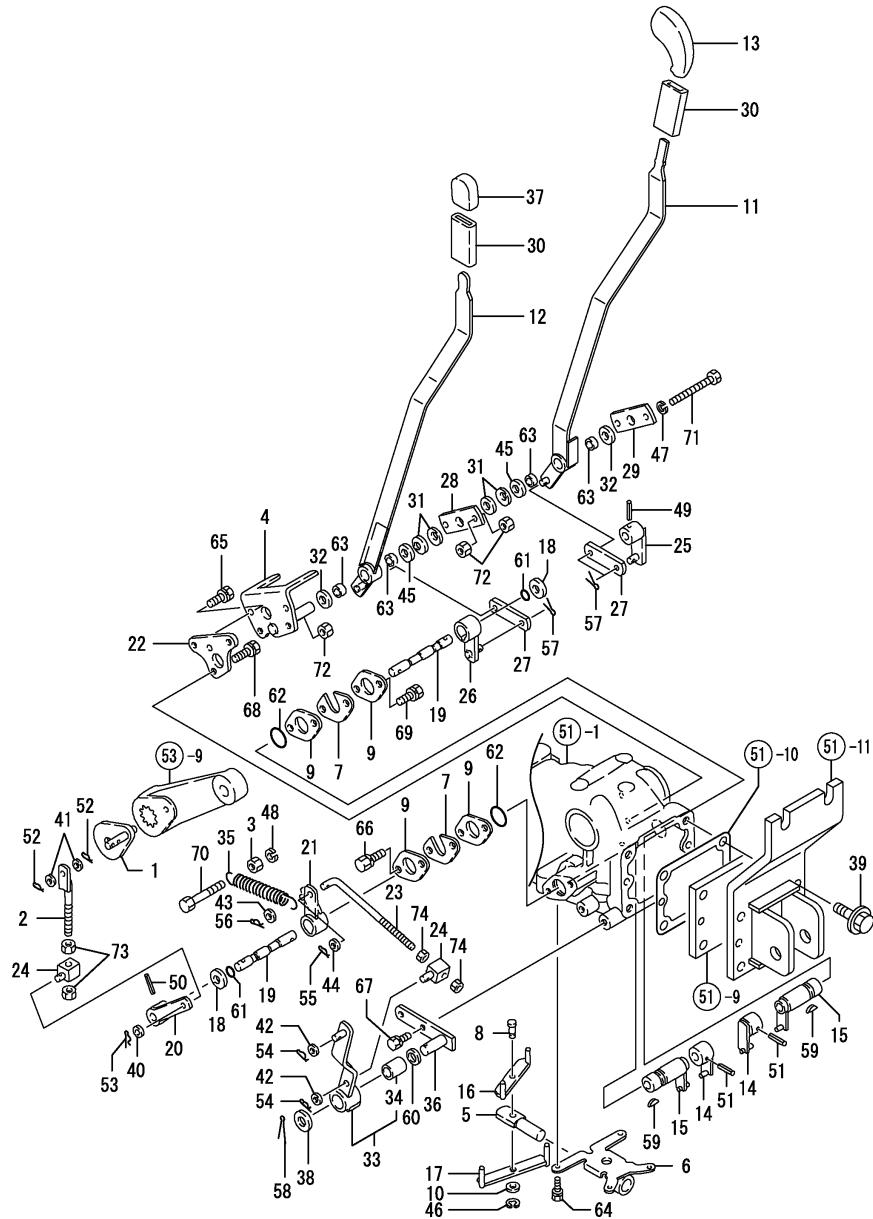
Remarks  
\* FIGURE FOR POWER STEERING TYPE



Fig.90. HYDRAULIC CONTROL(ADD.

(A)=KE-140  
(B)=KE-160  
(C)=

(D)=  
(E)=  
(F)=



REF.	LEV.	PARTS NO.	DESCRIPTION	Q'TY						I	R
				(A)	(B)	(C)	(D)	(E)	(F)		
52	1	22372-080000	SNAP PIN (JASO 8)	2	2						
53	1	22372-080000	SNAP PIN (JASO 8)	1	1						
54	1	22372-080000	SNAP PIN (JASO 8)	2	2						
55	1	22372-080000	SNAP PIN (JASO 8)	1	1						
56	1	22372-080000	SNAP PIN (JASO 8)	1	1						
57	1	22417-200160	COTTER PIN 2.0X16	4	4						
58	1	22417-250320	COTTER PIN 2.5X 32	1	1						
59	1	22522-030130	WOODRUFF KEY 3X13	1	1						
60	1	23414-150000	PACKING -15	1	1						
61	1	24311-000090	O-RING 1A P-9.0	2	2						
62	1	24311-000200	O-RING 1A P-20.0	2	2						
63	1	24550-012060	BUSH 12X 6	4	4						
64	1	26016-060162	BOLT M 6X 16	4	4						
65	1	26016-080122	BOLT M 8X 12	2	2						
66	1	26016-080202	BOLT M 8X 20	2	2						
67	1	26016-080202	BOLT M 8X 20	2	2						
68	1	26016-080202	BOLT M 8X 20	2	2						
69	1	26016-080202	BOLT M 8X 20	2	2						
70	1	26116-080552	BOLT 8X55	1	1						
71	1	26116-080804	BOLT M 8X 80 PLATED	2	2						
72	1	26716-080002	NUT M 8	6	6						
73	1	26716-080002	NUT M 8	2	2						
74	1	26716-080002	NUT M 8	2	2						

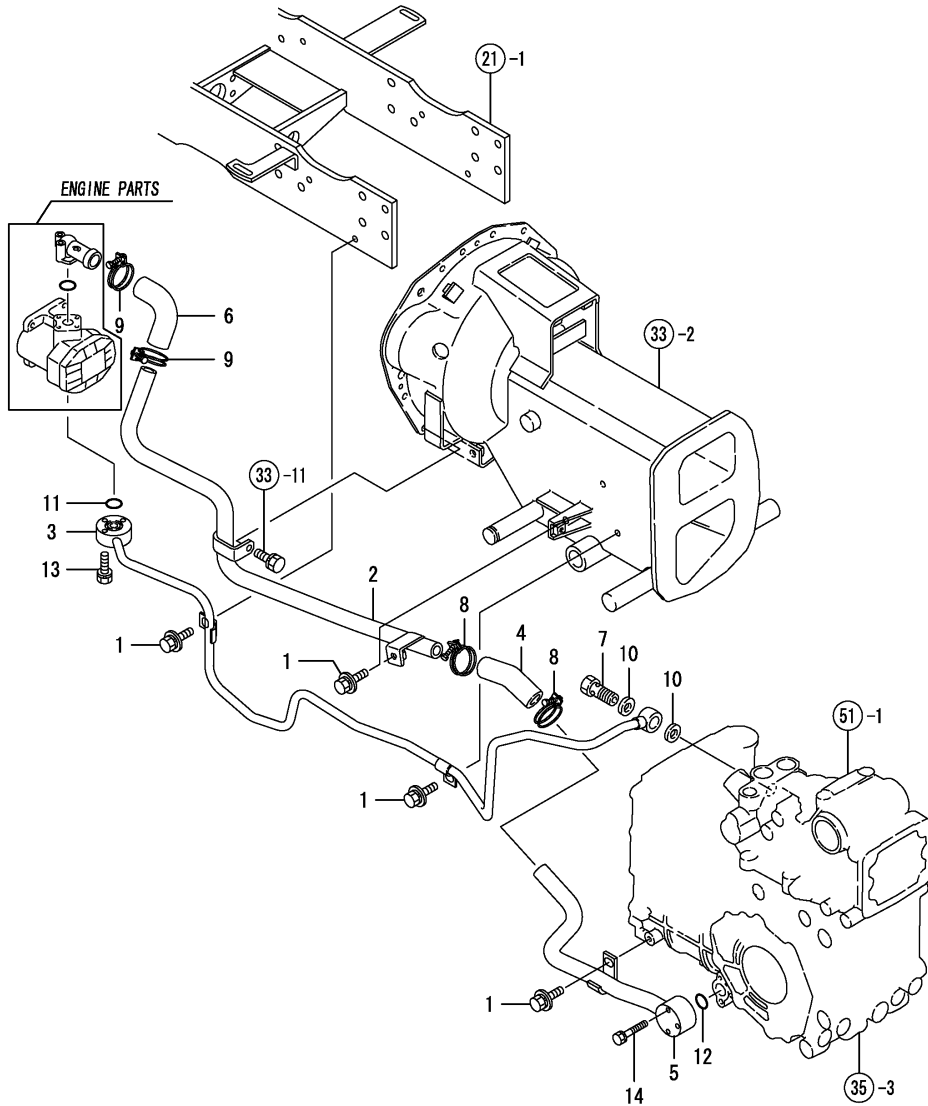
Remarks  
\* FIGURE FOR POWER STEERING TYPE

N:Old  $\xrightarrow{\text{Yes}}$  New, Q:Old  $\xrightarrow{\text{No}}$  New, R:Old  $\xrightarrow{\text{Yes}}$  New, S:Old  $\xrightarrow{\text{No}}$  New, W:Add, Z:Discontinued, F:Interchangeable by set, K:Q'ty Change

Fig.57. HYDRAULIC PIPING

(A)=KE-140  
(B)=KE-160  
(C)=

(D)=  
(E)=  
(F)=

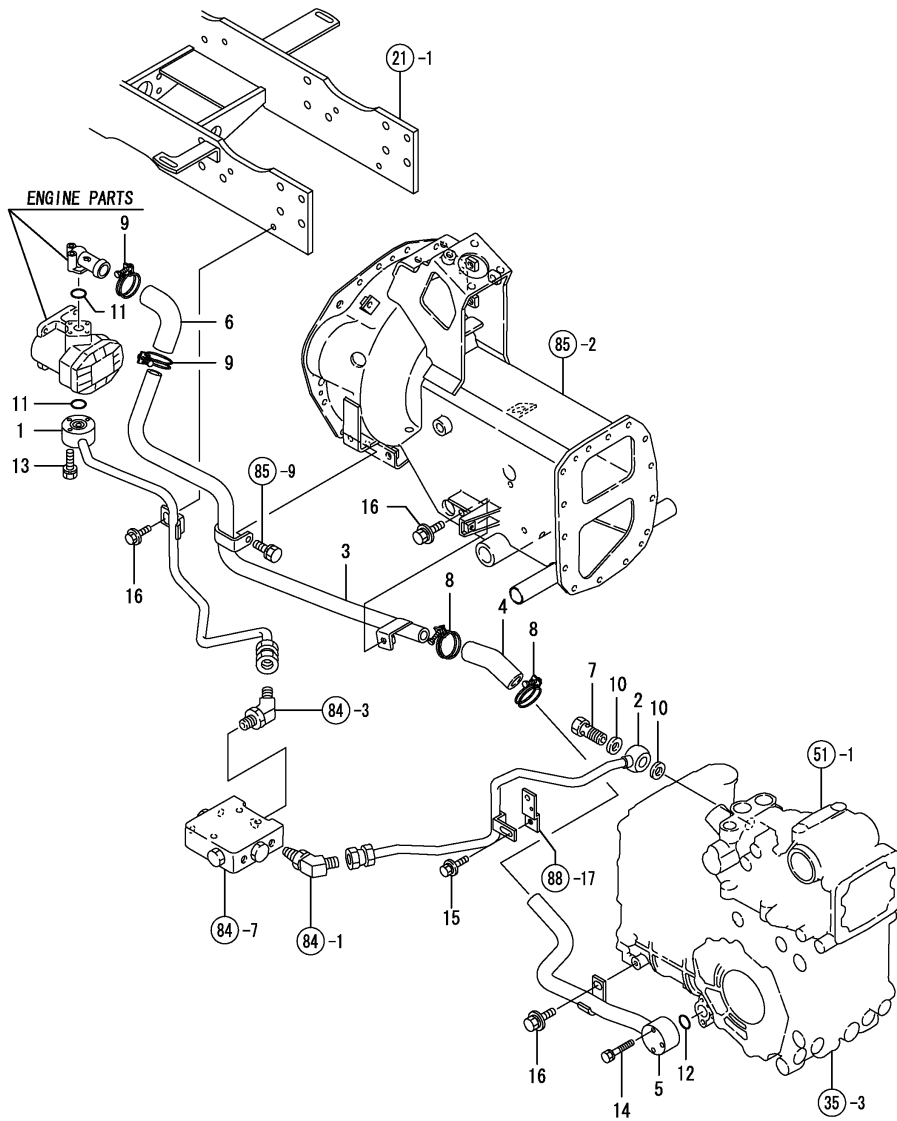


REF.	LEV.	PARTS NO.	DESCRIPTION	QTY						I	R
				(A)	(B)	(C)	(D)	(E)	(F)		
1	1	26018-080202	BOLT M 8X 20	4	4						
2	1	198163-48220	PIPE, LOW PRESSURE F	1	1						
3	1	198163-48110	PIPE,HP	1	1						
4	1	198421-48240	HOSE,LOW-PRES.RUBBER	1	1						
5	1	198163-48280	PIPE, LOW PRESSURE R	1	1						
6	1	198167-48340	HOSE	1	1						
7	1	194130-48650	BOLT 18, JOINT	1	1						
7-1	1	198220-48750	CONNECTOR ASSY	1	1						N
		(A=F110066) (B=F110041)									
8	1	23010-030000	CLAMP 30	2	2						
9	1	23010-030000	CLAMP 30	2	2						
10	1	23414-180023	GASKET 18	2	2						
11	1	24311-000200	O-RING 1A P-20.0	1	1						
12	1	24311-000220	O-RING 1A P-22.0	1	1						
13	1	26013-060302	BOLT M 6X 30	3	3						
14	1	26013-060402	BOLT M 6X 40	3	3						
14-1	1	26013-060452	BOLT M 6X 45	3	3						N
		(A=F110066) (B=F110041)									

Fig.91. HYDRAULIC PIPING(ADD.)

(A)=KE-140  
(B)=KE-160  
(C)=

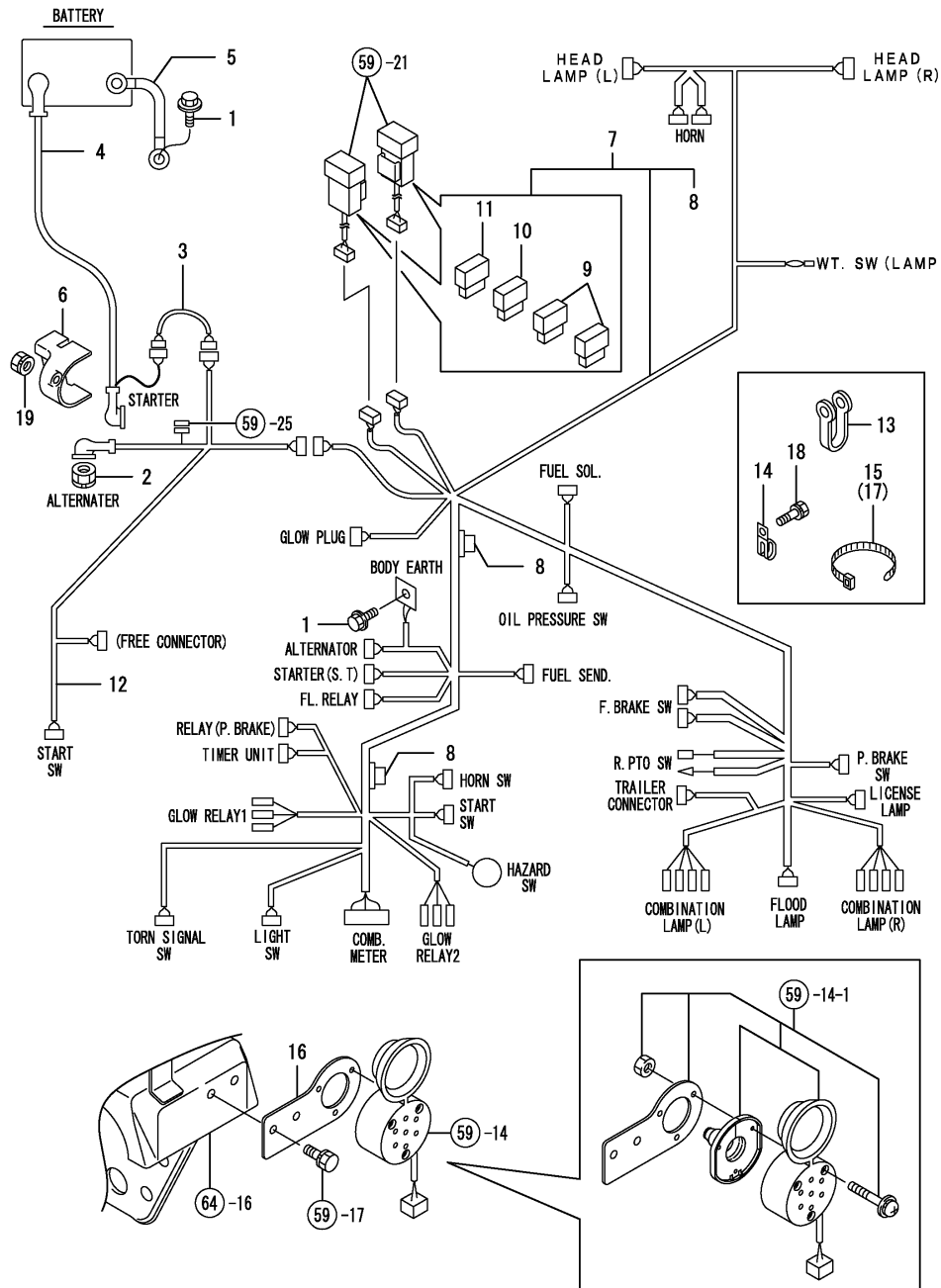
(D)=  
(E)=  
(F)=



REF.	LEV.	PARTS NO.	DESCRIPTION	QTY						I	R
				(A)	(B)	(C)	(D)	(E)	(F)		
1	1	198163-48160	PIPE,HIGH PRESS.F	1	1						
2	1	198163-48170	PIPE R,HIGH-PRESSURE	1	1						
3	1	198163-48220	PIPE, LOW PRESSURE F	1	1						
4	1	198421-48240	HOSE,LOW-PRES.RUBBER	1	1						
5	1	198163-48280	PIPE, LOW PRESSURE R	1	1						
6	1	198167-48340	HOSE	1	1						
7	1	198220-48750	CONNECTOR ASSY	1	1						
8	1	23010-030000	CLAMP 30	2	2						
9	1	23010-030000	CLAMP 30	2	2						
10	1	23414-180023	GASKET 18	2	2						
11	1	24311-000200	O-RING 1A P-20.0	2	2						
12	1	24311-000220	O-RING 1A P-22.0	1	1						
13	1	26013-060302	BOLT M 6X 30	3	3						
14	1	26013-060452	BOLT M 6X 45	3	3						
15	1	26018-080162	BOLT M 8X 16	1	1						
16	1	26018-080202	BOLT M 8X 20	4	4						

Remarks  
\* FIGURE FOR POWER STEERING TYPE

Fig.58. WIRE HARNESS

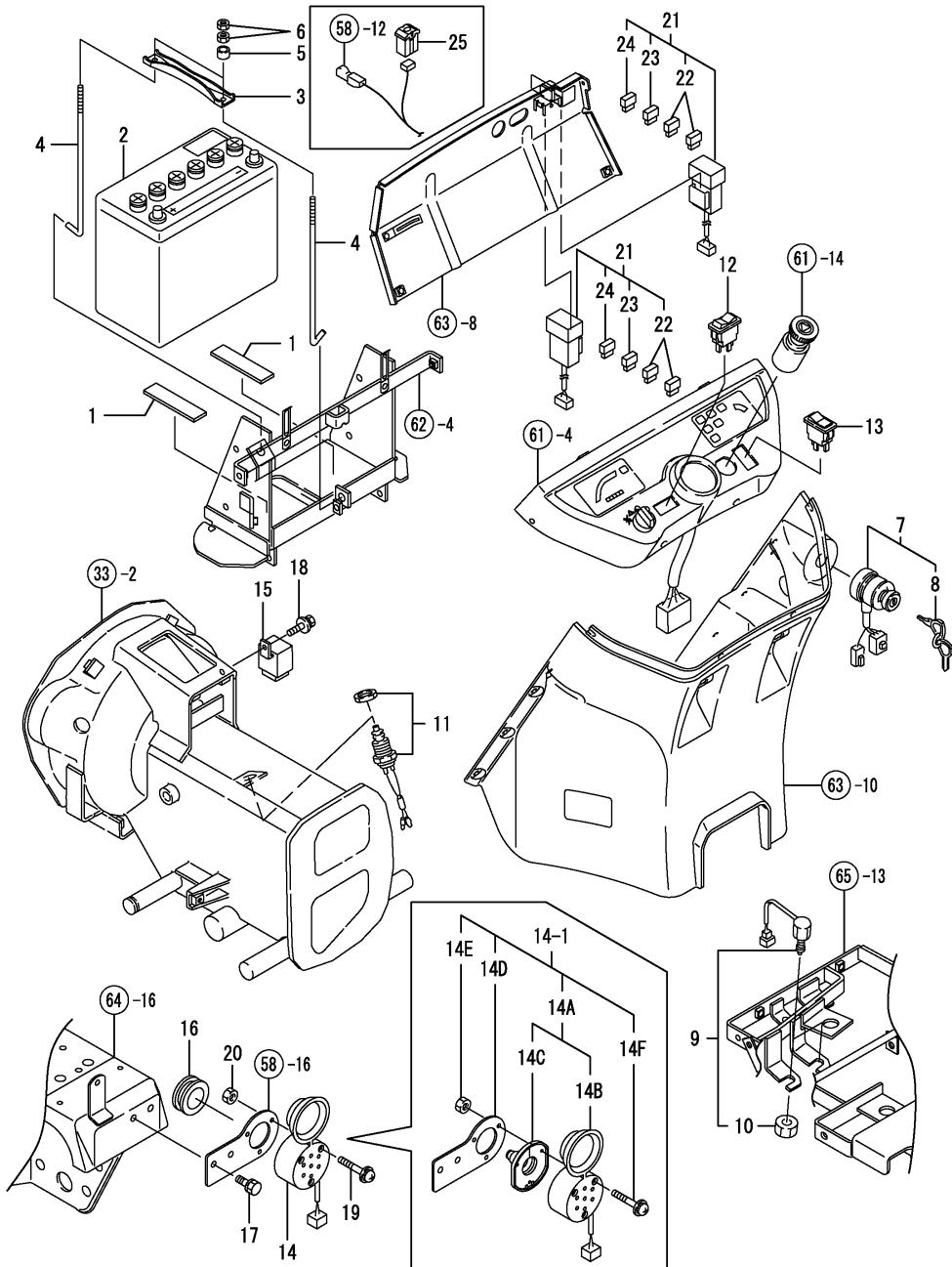


(A)=KE-140  
(B)=KE-160  
(C)=

(D)=  
(E)=  
(F)=

REF.	LEV.	PARTS NO.	DESCRIPTION	QTY						I	R
				(A)	(B)	(C)	(D)	(E)	(F)		
1	1	1C6560-06300	BOLT M8X16,EARTH	2	2						
1-1	1	26106-080162	BOLT M 8X 16 PLATED	2	2						R
				(A=*2008.11.)		(B=*2008.11.)					
2	1	194990-22040	NUT W/WASHER 6	1	1						
3	1	194312-51220	LINK, FUSIBLE	1	1						
4	1	1A6780-51410	CABLE, BATTERY	1	1						
5	1	198165-51421	CABLE, BATTER EARTH	1	1						
6	1	198165-51450	COVER	1	1						
7	1	198163-51510	HARNES, WIRE A E	1	1						
8	2	198165-51130	DIODE 3A	2	2						
9	2	29420-100000	FUSE, 10A	4	4						
10	2	29420-150000	FUSE, 15A	2	2						
11	2	29420-200000	FUSE, 20A	2	2						
12	1	198165-51550	HANESS P,WIRE	1	1						
13	1	194197-51630	CLAMP 51	3	3						
14	1	194440-51630	CLAMP, WIRE HARNESS	2	2						
15	1	194250-51660	BAND 250	3	3						
16	1	198163-53190	STAY, SOCKET	1	1						Z
				(A=F110066)		(B=F110041)					
17	1	1E6102-84970	BAND 140,WIRE LOCK	3	3						
18	1	26013-080122	BOLT M 8X 12	2	2						
19	1	194990-22050	NUT W/WASHER 8	1	1						

Fig.59. BATTERY & SWITCHES



(A)=KE-140  
(B)=KE-160  
(C)=

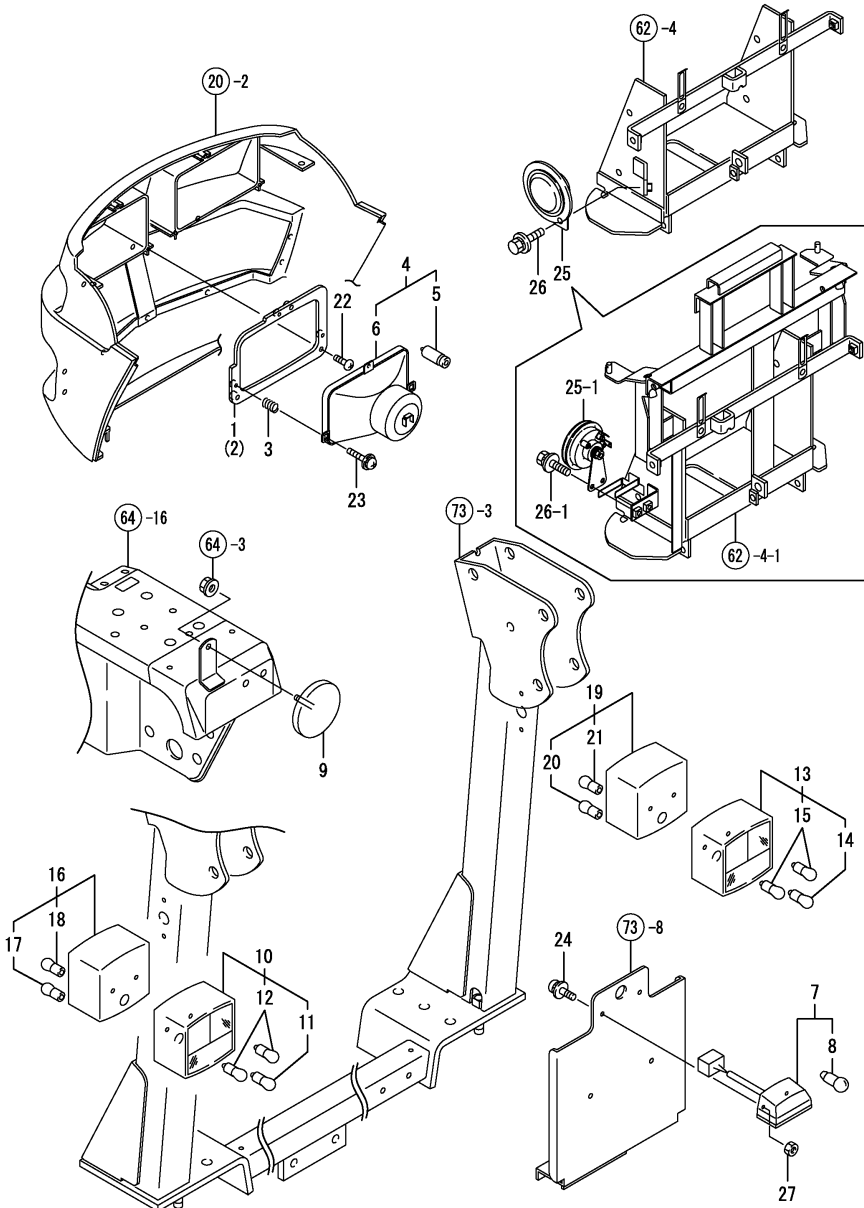
(D)=  
(E)=  
(F)=

REF.	LEV.	PARTS NO.	DESCRIPTION	QTY						I	R
				(A)	(B)	(C)	(D)	(E)	(F)		
1	1	198165-04380	RUBBER, 100X25X3	2	2						
2	1	198165-51310	BATTERY, 55B24R(S)	1	1						
2-1	1	198167-51310	BATTERY 55B24(S)	1	1						N
		(A=F110744) (B=F111180)									
3	1	198165-58010	CLAMP, BATTERY	1	1						
4	1	198165-58120	ROD, BATTERY CLAMP	2	2						
5	1	198165-58130	COLLAR(10.5X13	2	2						
6	1	26716-060002	NUT 6	4	4						
7	1	198162-52110	SWITCH, STARTING	1	1						
7-1	1	194940-52110	SWITCH,STARTER	1	1						N
		(A=F110517) (B=F110814)									
8	2	198162-52150	KEY ASSY	1	1						
8-1	2	198360-52160	KEY COMPL.	1	1						N
		(A=F110517) (B=F110814)									
9	1	198223-52150	SWITCH,BRAKE LAMP	2	2						
10	2	26776-120002	LOCK NUT M12 PLATED	2	2						
11	1	198421-52190	SWITCH,SAFETY	1	1						
12	1	198165-52200	SWITCH,TURN	1	1						
13	1	198165-52250	SWITCH,HORN	1	1						
14	1	1A7100-57300	COUPLER	1	1						
14-1	1	198163-52100	COUPLER	1	1						N
		(A=F110066) (B=F110041)									
14A	2	198163-52150	COUPLER SET,	1	1						W
		(A=F110066) (B=F110041)									
14B	3	198163-52110	COUPLER ASSY,	1	1						W
		(A=F110066) (B=F110041)									
14C	3	198163-52120	BOOT, COUPLER	1	1						W
		(A=F110066) (B=F110041)									
14D	2	198163-53190	STAY, SOCKET	1	1						W
		(A=F110066) (B=F110041)									
14E	2	26716-050002	NUT M 5	3	3						W
		(A=F110066) (B=F110041)									
14F	2	26023-050352	SCREW M 5X 35	3	3						W
		(A=F110066) (B=F110041)									
15	1	119247-77100	RELAY, SAFETY	1	1						
16	1	198133-51350	GROMMET 38A	1	1						Z
		(A=F110066) (B=F110041)									
17	1	26013-080162	BOLT W/WASHER M8X16	2	2						
18	1	26018-060162	BOLT M6X16	1	1						
19	1	26023-050352	SCREW M 5X 35	3	3						Z
		(A=F110066) (B=F110041)									
20	1	26716-050002	NUT M 5	3	3						Z
		(A=F110066) (B=F110041)									
21	1	1C6740-06250	BLOCK 4PB,FUSE	2	2						
22	2	29420-100000	FUSE, 10A	4	4						
23	2	29420-150000	FUSE, 15A	2	2						
24	2	29420-200000	FUSE, 20A	2	2						
25	1	198165-51160	FUSE 80A	1	1						
25-1	1	198153-51700	BLOW 79A,SLOW CMP	1	1						R
		(A=F110592) (B=F111100)									

Fig.60. LAMPS & HORN

(A)=KE-140  
(B)=KE-160  
(C)=

(D)=  
(E)=  
(F)=



REF.	LEV.	PARTS NO.	DESCRIPTION	QTY						I	R
				(A)	(B)	(C)	(D)	(E)	(F)		
1	1	198163-53050	STAY, LIGHT L CMP	1	1						
2	1	198163-53060	STAY, LIGHT R CMP	1	1						
3	1	198163-53070	SPRING, LIGHT	6	6						
4	1	1A7100-53100	HEADLAMP CMP.	2	2						
5	2	1A7100-53130	BULB	2	2						
6	2	1A7100-53140	COVER	2	2						
7	1	1A7100-53400	LAMP	1	1						
8	2	1A7100-53420	BULB,LAMP	1	1						
9	1	198223-57110	REFLECTOR	2	2						
10	1	198174-85610	LAMP (A) ;LEFT	1	1						1
11	2	198174-85660	LAMP 10W-12V	1	1						1
12	2	198174-85670	LAMP 21W-12V	2	2						1
13	1	198174-85620	LAMP (A) ;RIGHT	1	1						2
14	2	198174-85660	LAMP 10W-12V	1	1						2
15	2	198174-85670	LAMP 21W-12V	2	2						2
16	1	198174-85630	LAMP (B) ;LEFT	1	1						1
17	2	198174-85660	LAMP 10W-12V	1	1						1
18	2	198174-85670	LAMP 21W-12V	1	1						1
19	1	198174-85640	LAMP (B) ;RIGHT	1	1						2
20	2	198174-85660	LAMP 10W-12V	1	1						2
21	2	198174-85670	LAMP 21W-12V	1	1						2
22	1	22857-500160	SCREW 5X16	6	6						
23	1	26023-040202	SCREW M 4X 20	6	6						
24	1	26023-050162	SCREW M 5X 16	2	2						
24-1	1	1C6650-37480	SCREW M6X16,TAPPING	2	2						N
		(A=F110170) (B=F110222)									
25	1	1A7100-57100	HORN	1	1						
25-1	1	1C7100-08150	HORN,ELECTRIC	1	1						S
		(A=F110170) (B=F110222)									
26	1	26018-080162	BOLT M 8X 16	1	1						
26-1	1	26018-080162	BOLT M 8X 16	2	2						K
		(A=F110170) (B=F110222)									
27	1	26716-050002	NUT M 5	2	2						Z
		(A=F110066) (B=F110041)									

Remarks

- (1)FOR LEFT SIDE LAMPS
- (2)FOR RIGHT SIDE LAMPS

Fig.61. METER

(A)=KE-140  
(B)=KE-160  
(C)=

(D)=  
(E)=  
(F)=

REF.	LEV.	PARTS NO.	DESCRIPTION	QTY						I	R
				(A)	(B)	(C)	(D)	(E)	(F)		
1	1	198165-52100	SWITCH,CMP LIGHTING	1	1						
2	2	198165-52110	KNOB	1	1						
3	1	198165-52120	SEAL	1	1						
4	1	198163-56300	PANEL ASSY, INSTRU.	1	1						
5	1	198421-56600	GAUGE COMP.,FUEL	1	1						
5-1	1	198421-56601	GAUGE ASSY, FUEL OIL	1	1						N
(A=FXXXXX) (B=F110495)											
6	2	194420-56620	GASKET	1	1						
7	1	198421-56910	TUBE,PROTECTIVE	1	1						
8	1	198223-57200	RELAY, FLASHER	1	1						
8-1	1	198282-57200	FLASHER RELAY	1	1						R
(A=*2009.02.) (B=*2009.02.)											
9	1	194145-61640	SCREW M 5X 16	4	4						
10	1	194167-61650	NUT 5008	4	4						
11	1	123440-91140	CABLE,TACHOMETER	1	1						
12	1	26016-060302	BOLT M 6X 30	1	1						
13	1	26557-050122	SCREW M 5X 12	5	5						
14	1	198223-52400	SWITCH	1	1						
15	1	198165-58130	COLLAR(10.5X13)	1	1						

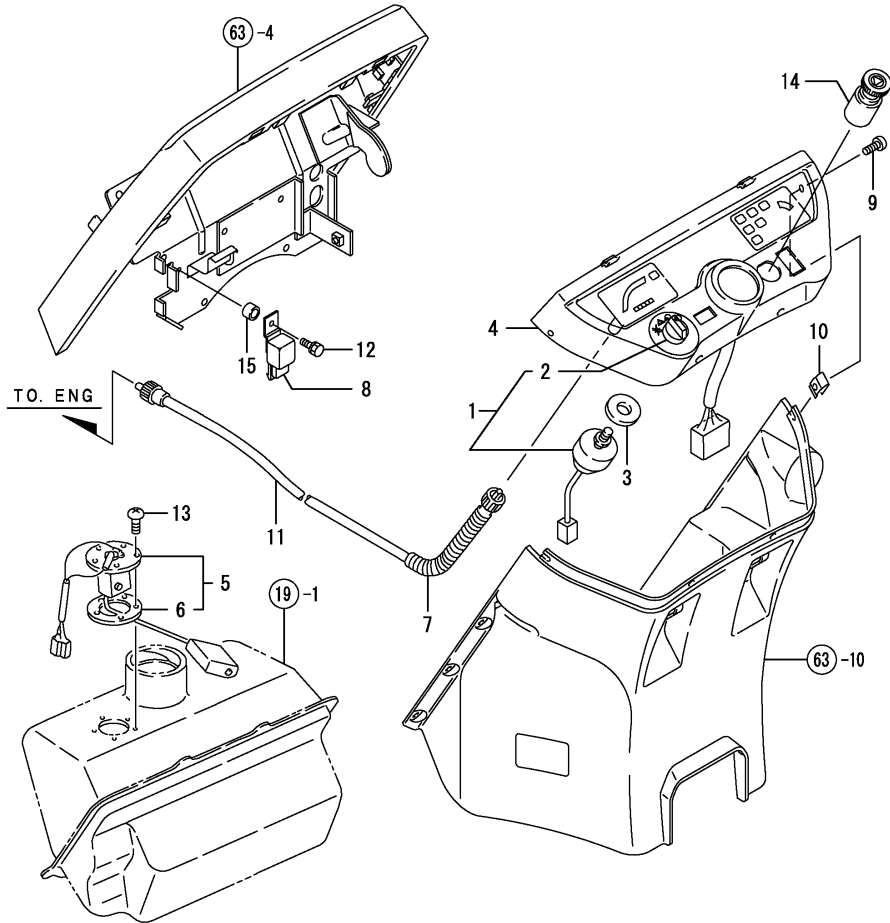
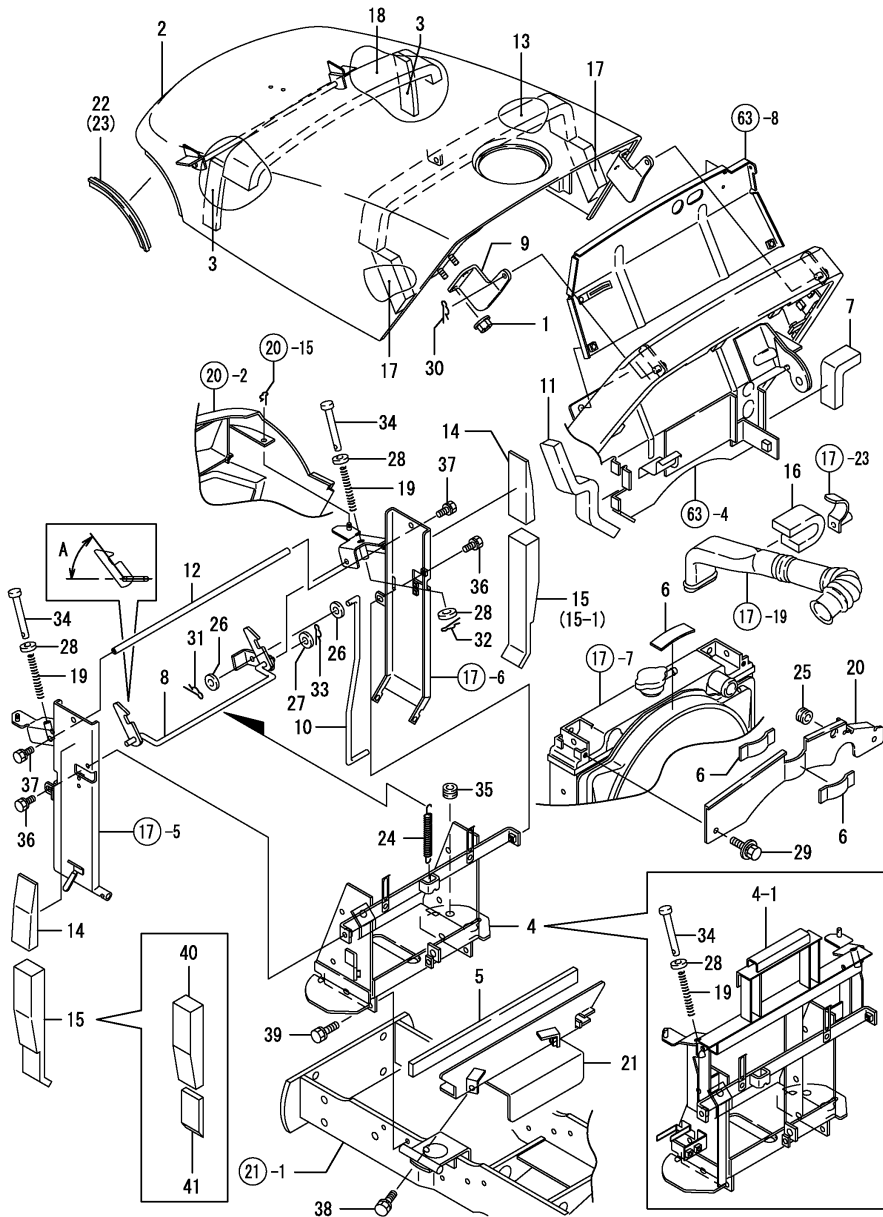


Fig.62. BONNET

(A)=KE-140  
(B)=KE-160  
(C)=

(D)=  
(E)=  
(F)=



REF.	LEV.	PARTS NO.	DESCRIPTION	(A)	(B)	(C)	(D)	(E)	(F)	Q'TY	I	R
1	1	194990-22130	NUT W/WASHER 6	2	2							
2	1	798163-61120	BONNET ASSY	1	1							
3	1	198162-61250	SEAL SA, BONNET	2	2							
4	1	198163-61310	STAY, BATTERY CMP	1	1							
4-1	1	198163-61311	STAY, BATTERY CMP	1	1							S
		(A=F110170) (B=F110222)										
5	1	198162-61340	SEAL, RADIATOR LOWER	1	1							
6	1	198162-61370	SEAL E, LADIATOR	3	3							
7	1	198421-61380	URETHANE CS20X25X200	1	1							
8	1	198163-61400	HOOK, BONNET CMP	1	1							
8-1	1	198163-61401	HOOK, BONNET CMP	1	1							S 1
		(A=F110170) (B=F110222)										
9	1	198162-61410	HINGE L, BONNET	1	1							
10	1	198163-61450	LINK, HOOK	1	1							
11	1	198421-61460	FOAMS S, URETHANE	1	1							
12	1	198163-61470	BAR, SUPPORT	1	1							
13	1	198421-61470	FOAMS, BONNET URETHAN	1	1							
14	1	198162-61480	FOAM, RAD. IN. URETHANE	2	2							
15	1	198162-61490	FOAM, RAD. LW. URETHANE	2	2							
15-1	1	198162-61490	FOAM, RAD. LW. URETHANE	1	1							K
		(A=FXXXXX) (B=FXXXXX)										
16	1	198421-61510	FOAM, SUC. PIPE URETHN	1	1							
17	1	198421-61540	PAD, REAR	2	2							
18	1	198165-61810	SEAL, BONNET UPPER	1	1							
18-1	1	1A7720-61810	SEAL, HOOD UPPER	1	1							N
		(A=FXXXXX) (B=FXXXXX)										
19	1	198165-61850	SPRING, BONNET	2	2							
20	1	198162-61910	PLATE, PROTECTOR UP	1	1							
21	1	198162-61920	PL., HOT AIR PREVENT	1	1							
21-1	1	198162-61921	PLATE, LOWER	1	1							R
		(A=F110066) (B=F110041)										
22	1	198162-61950	SEAL L, LAMP SIDE	1	1							
22-1	1	1A6640-61450	SEAL L, BONNET SIDE	1	1							N
		(A=FXXXXX) (B=FXXXXX)										
23	1	198162-61960	SEAL R, LAMP SIDE	1	1							
23-1	1	1A6640-61460	SEAL R, BONNET SIDE	1	1							N
		(A=FXXXXX) (B=FXXXXX)										
24	1	1C6360-82210	SPRING, MARKER LOCK	1	1							
25	1	172026-81740	GROMMET 16X22X8	1	1							
26	1	22137-080000	WASHER 8, POLISHED	2	2							Z
		(A=F110170) (B=F110089)										
27	1	22137-080000	WASHER 8, POLISHED	1	1							Z
		(A=F110170) (B=F110089)										
28	1	22157-060000	WASHER 6	4	4							
29	1	26018-080202	BOLT M 8X 20	2	2							
30	1	22360-080000	SNAP PIN 8	1	1							
30-1	1	22372-080000	SNAP PIN (JASO 8)	1	1							N
		(A=F110517) (B=F110838)										
I 31	1	22360-080000	SNAP PIN 8	2	2							
31-1	1	22372-080000	SNAP PIN (JASO 8)	2	2							N
		(A=F110517) (B=F110838)										

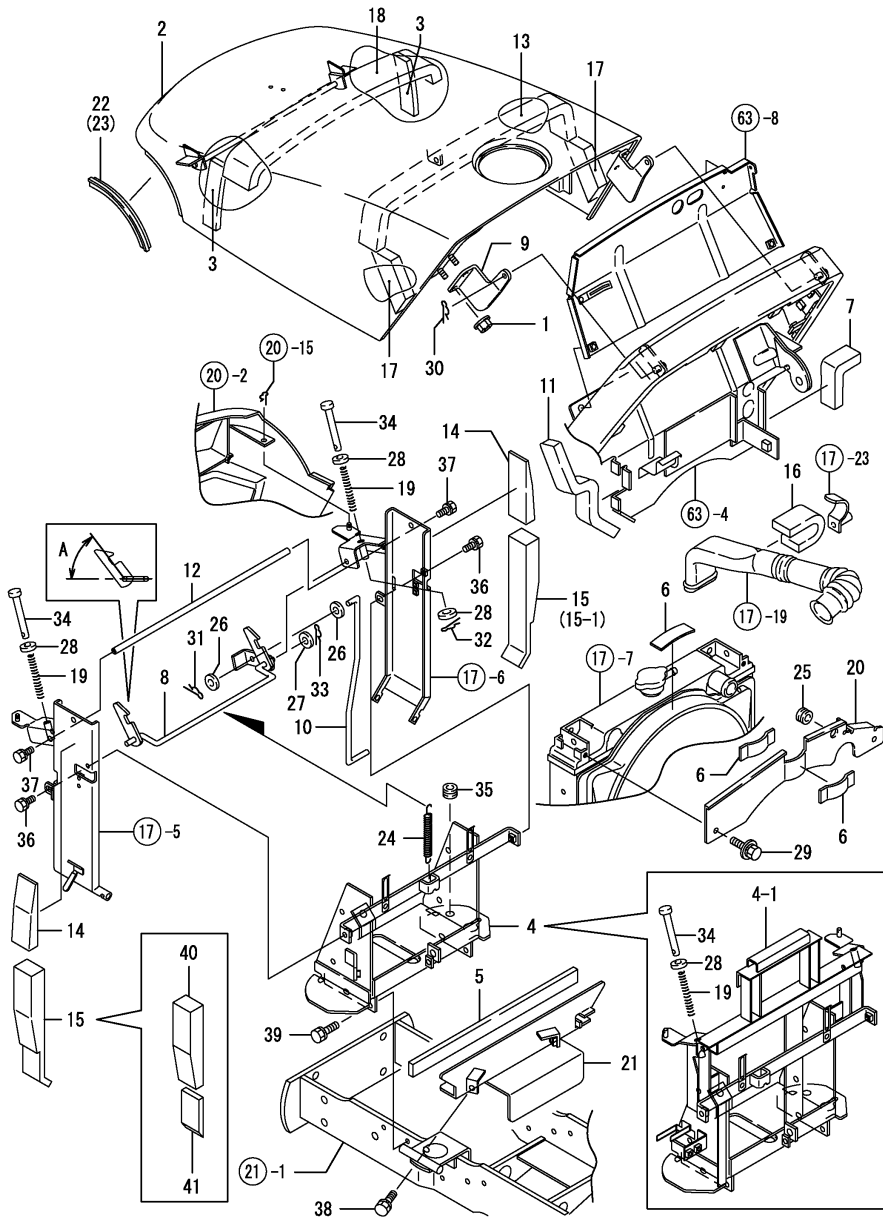
Remarks  
(1)A(ANGLE)= REF.NO.8 53, 8-1 48.



Fig.62. BONNET

(A)=KE-140  
(B)=KE-160  
(C)=

(D)=  
(E)=  
(F)=



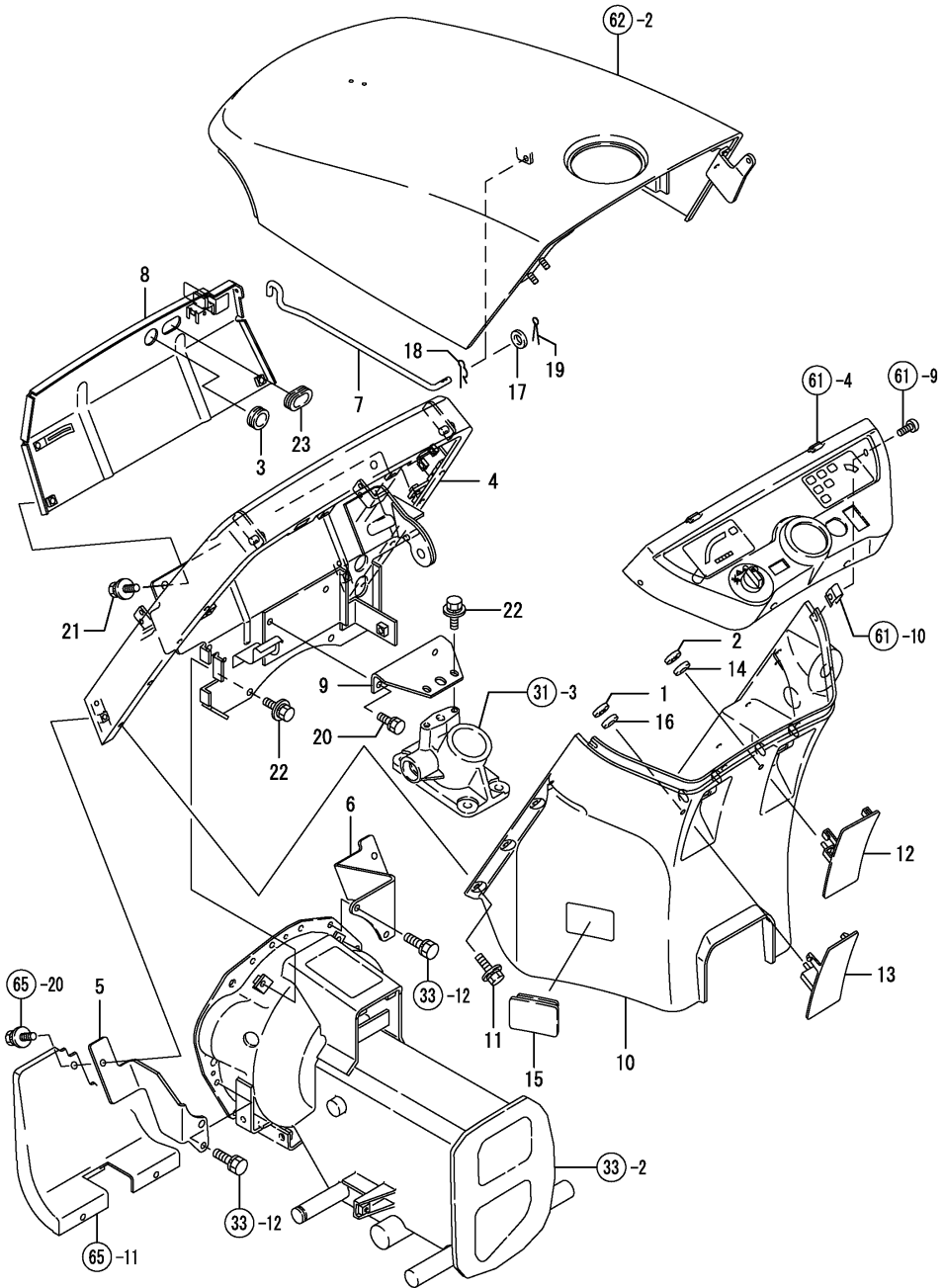
REF.	LEV.	PARTS NO.	DESCRIPTION	QTY						I	R
				(A)	(B)	(C)	(D)	(E)	(F)		
32	1	22372-060000	SNAP PIN 6	2	2						
33	1	22372-080000	SNAP PIN (JASO 8)	1	1						
34	1	22487-060800	PIN	2	2						
35	1	29311-092000	GROMMET 8.5X2.0	1	1						
36	1	26016-080162	BOLT M 8X 16	2	2						
37	1	26016-080162	BOLT M 8X 16	2	2						
38	1	26016-080202	BOLT M 8X 20	2	2						
39	1	26016-080202	BOLT M 8X 20	4	4						
40	1	198163-61680	URETHANE,	1	1						W
		(A=F110066) (B=F110041)									
41	1	198163-61690	URETHANE	1	1						W
		(A=F110066) (B=F110041)									

Remarks  
(1)A(ANGLE)= REF.NO.8 53, 8-1 48.

Fig.63. DASHBOARD

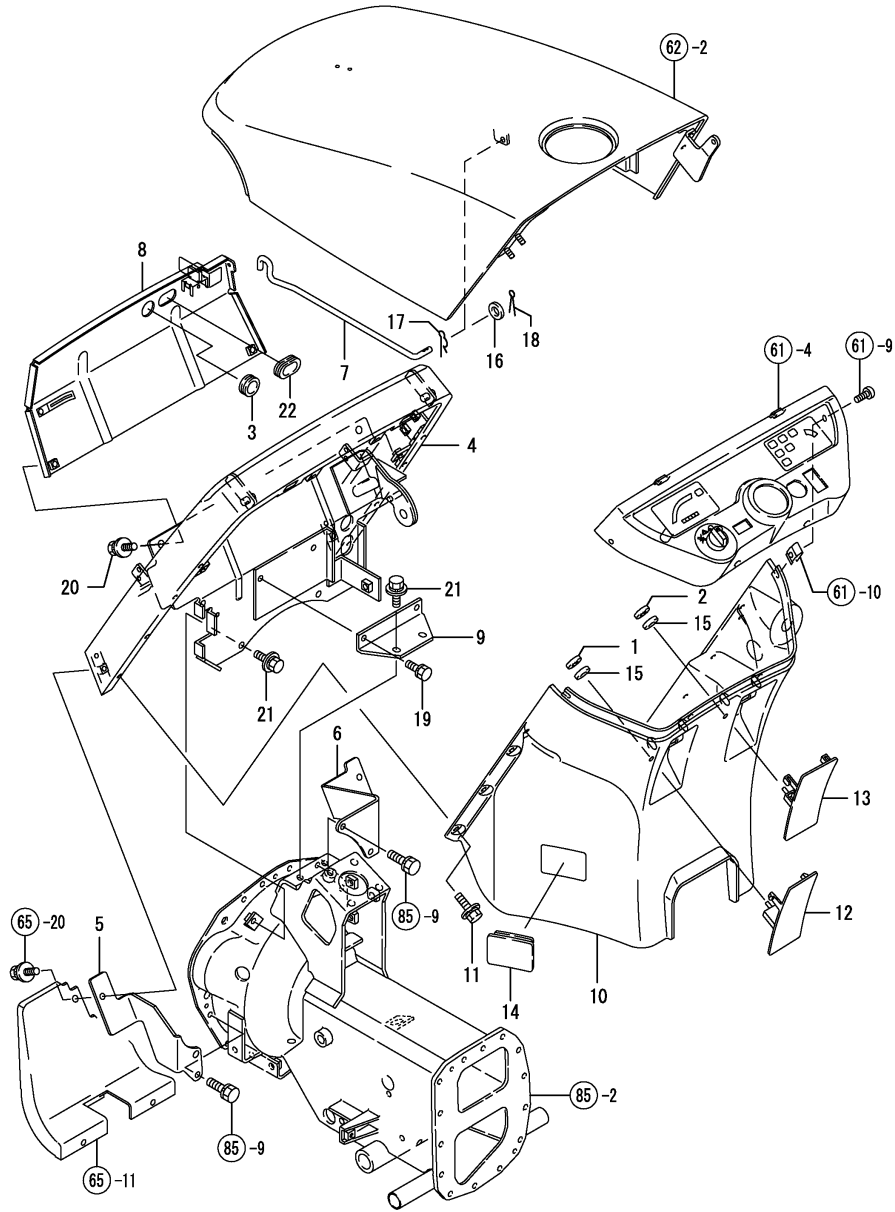
(A)=KE-140  
(B)=KE-160  
(C)=

(D)=  
(E)=  
(F)=



REF.	LEV.	PARTS NO.	DESCRIPTION	QTY						I	R
				(A)	(B)	(C)	(D)	(E)	(F)		
1	1	1C6460-38240	NUT 5,PUSH	1	1						
2	1	1C6460-38240	NUT 5,PUSH	1	1						
3	1	194162-58830	GROMMET 20	1	1						
4	1	798163-61540	STAY, DASHBOARD	1	1						
5	1	198162-61530	FIXTURE L,DSHBD.STAY	1	1						
6	1	198162-61540	FIXTURE R,DSHBD.STAY	1	1						
7	1	198162-61551	ROD, BONNET	1	1						
8	1	198163-61570	PLATE, AIR CUT	1	1						
9	1	198162-61580	STAY,AIR CUT PLATE	1	1						
9-1	1	198164-61580	STAY, AIR CUT PLATE	1	1						N
		(A=F110170) (B=F110222)									
10	1	798163-61620	DASHBOARD	1	1						
11	1	198421-61620	BOLT 6X20	8	8						
12	1	198163-61640	COVER, DASH BOARD RE	1	1						
13	1	198162-61630	DASH BOAD	1	1						
14	1	194555-65130	CUSHION	1	1						
15	1	194802-62310	CAP, RUBBER	1	1						
16	1	194555-65130	CUSHION	1	1						
17	1	22117-080000	WASHER 8	1	1						
18	1	22360-080000	SNAP PIN 8	1	1						
18-1	1	22372-080000	SNAP PIN (JASO 8)	1	1						N
		(A=F110517) (B=F110838)									
19	1	22417-200160	COTTER PIN 2.0X16	1	1						
20	1	26016-080202	BOLT M 8X 20	2	2						
21	1	26018-080162	BOLT M 8X 16	2	2						
22	1	26018-080202	BOLT M 8X 20	4	4						
23	1	29311-252000	GROMMET 25.0X2.0	1	1						

Fig.92. DASH BORD(ADD.



(A)=KE-140  
(B)=KE-160  
(C)=

(D)=  
(E)=  
(F)=

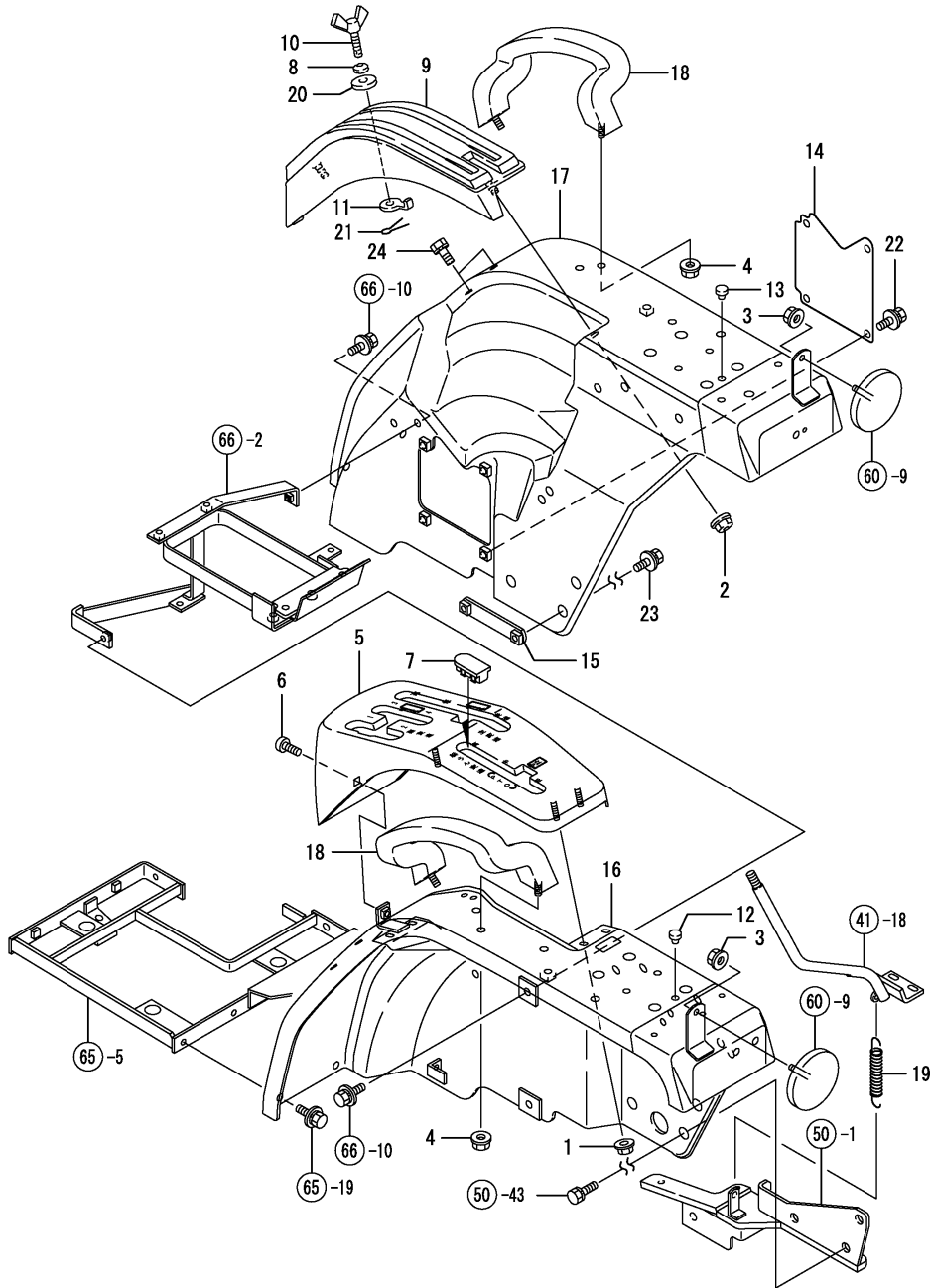
REF.	LEV.	PARTS NO.	DESCRIPTION	QTY						I	R
				(A)	(B)	(C)	(D)	(E)	(F)		
1	1	1C6460-38240	NUT 5,PUSH	1	1						
2	1	1C6460-38240	NUT 5,PUSH	1	1						
3	1	194162-58830	GROMMET 20	1	1						
4	1	1A7740-61500	STAY,DASHBOARD(M CMP	1	1						
5	1	198162-61530	FIXTURE L,DSHBD.STAY	1	1						
6	1	198162-61540	FIXTURE R,DSHBD.STAY	1	1						
7	1	198162-61551	ROD, BONNET	1	1						
8	1	198163-61570	PLATE, AIR CUT	1	1						
9	1	198164-61580	STAY, AIR CUT PLATE	1	1						
10	1	798163-61620	DASHBOARD	1	1						
11	1	198421-61620	BOLT 6X20	8	8						
12	1	198162-61630	DASH BOAD	1	1						
13	1	198163-61640	COVER, DASH BOARD RE	1	1						
14	1	194802-62310	CAP, RUBBER	1	1						
15	1	194555-65130	CUSHION	2	2						
16	1	22117-080000	WASHER 8	1	1						
17	1	22372-080000	SNAP PIN (JASO 8)	1	1						
18	1	22417-200160	COTTER PIN 2.0X16	1	1						
19	1	26016-080202	BOLT M 8X 20	2	2						
20	1	26018-080162	BOLT M 8X 16	2	2						
21	1	26018-080202	BOLT M 8X 20	4	4						
22	1	29311-252000	GROMMET 25.0X2.0	1	1						

Remarks  
\* FIGURE FOR POWER STEERING TYPE

Fig.64. FENDER

(A)=KE-140  
(B)=KE-160  
(C)=

(D)=  
(E)=  
(F)=



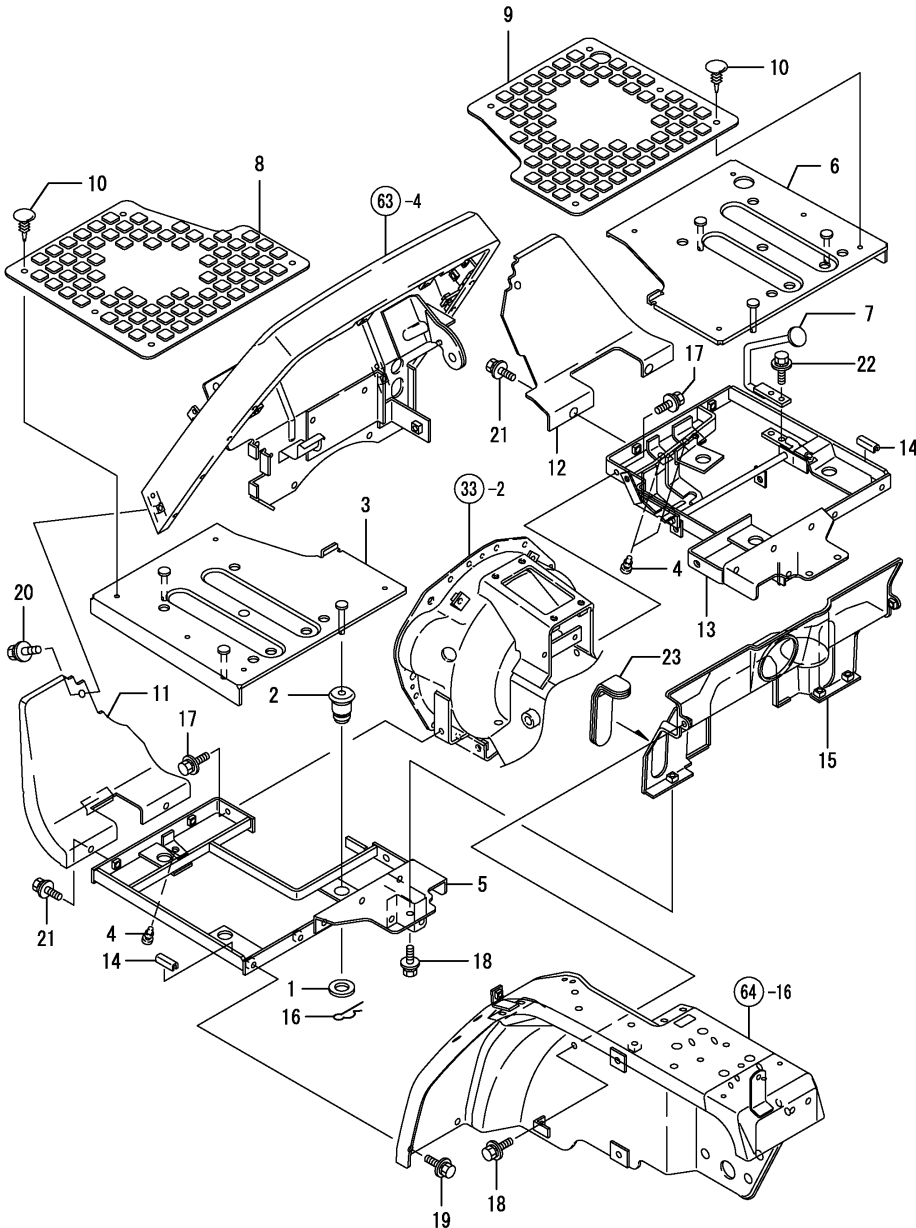
REF.	LEV.	PARTS NO.	DESCRIPTION	Q'TY						I	R
				(A)	(B)	(C)	(D)	(E)	(F)		
1	1	194990-22130	NUT W/WASHER 6	3	3						
2	1	194990-22130	NUT W/WASHER 6	2	2						
3	1	194990-22130	NUT W/WASHER 6	2	2						
4	1	194990-22140	NUT W/WASHER 8	4	4						
5	1	198163-27460	GUIDE P,CHANGE LEVER	1	1						
6	1	1C6650-35150	SCREW M6X16,BLK.M/C	1	1						
7	1	1C6860-37160	LEVER GUIDE	1	1						
8	1	194300-37570	SPRING, CONICAL	2	2						
9	1	198435-47710	GUIDE,HYDRO.LEVER	1	1						
10	1	198431-47750	BOLT,STOPPER WING	2	2						
11	1	198431-47760	STOPPER,HYDRO.LEVER	2	2						
12	1	194310-61610	GROMMET 9	4	4						
13	1	194310-61610	GROMMET 9	4	4						
14	1	1A6640-62180	COVER,FENDER R	1	1						
15	1	198162-62210	CLAMP,FENDER	1	1						
16	1	1A6640-62310	FENDER L COMP.	1	1						
17	1	798163-62320	FENDER ASSY, R	1	1						
18	1	198165-62410	BAR,ASHIST	2	2						
19	1	198421-62410	SPRING 12X100,TENSN	1	1						
20	1	22157-080000	WASHER 8	2	2						
21	1	22417-200160	COTTER PIN 2.0X16	2	2						
22	1	26018-080162	BOLT M 8X 16	4	4						
23	1	26018-080252	BOLT M8X 25	2	2						
24	1	26013-100202	BOLT W/WASHER M10X20	2	2						W

(A)=F110066) (B)=F110041)

Fig.65. STEP

(A)=KE-140  
(B)=KE-160  
(C)=

(D)=  
(E)=  
(F)=

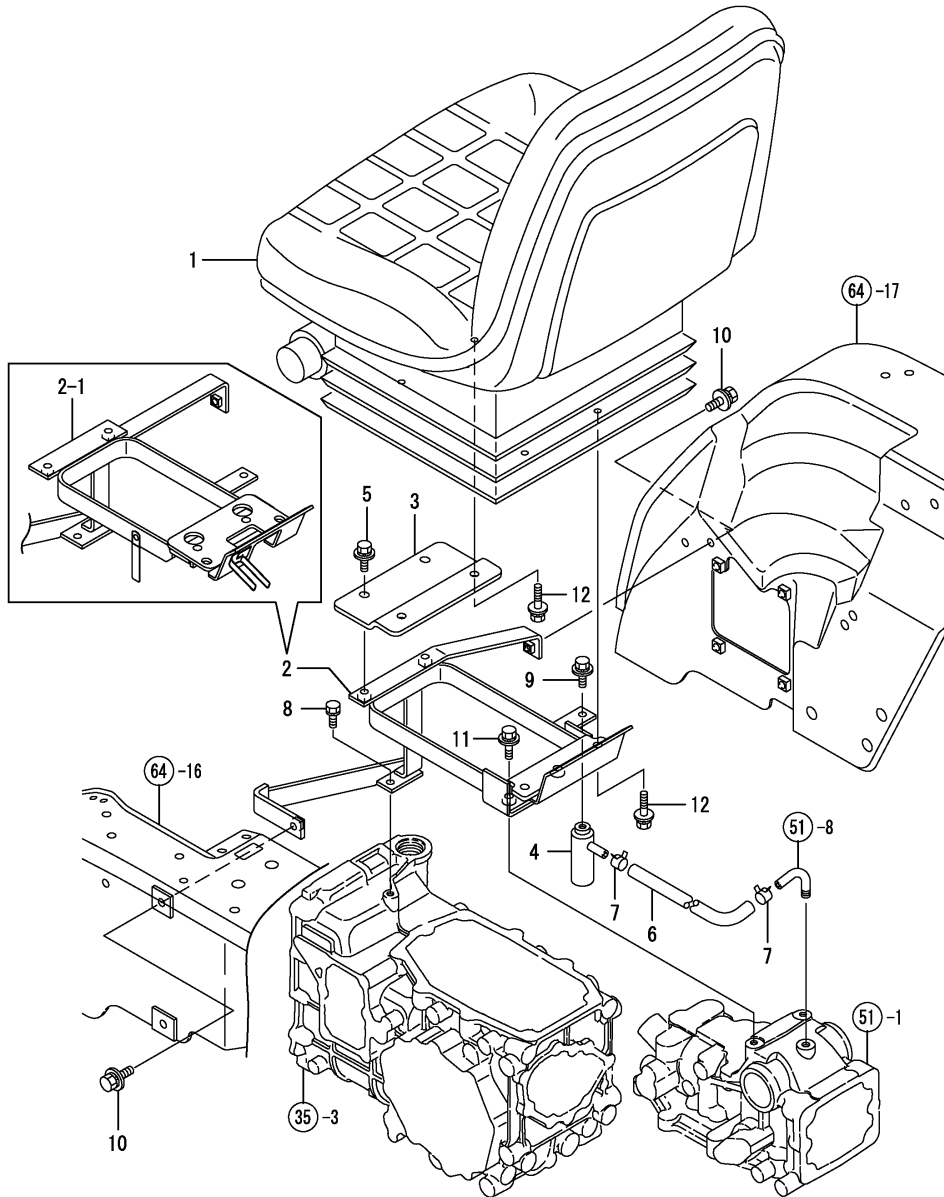


REF.	LEV.	PARTS NO.	DESCRIPTION	QTY						I	R
				(A)	(B)	(C)	(D)	(E)	(F)		
1	1	198220-62150	WASHER	6	6						
2	1	198240-62451	RUBBER,STEP VIBPRF.	6	6						
3	1	198162-62510	STEP (L)	1	1						
4	1	194330-62530	STOPPER, PEDAL	3	3						
5	1	198162-62530	FRAME L,STEP	1	1						
5-1	1	198163-62700	FRAME,STEP	1	1						N
(A=F110170) (B=F110222)											
6	1	198162-62560	STEP (R)	1	1						
7	1	198162-62590	ACCEL PEDAL	1	1						
8	1	198162-62610	RUBBER L,STEP	1	1						
9	1	198162-62620	RUBBER R,STEP	1	1						
10	1	198162-62630	FASTENER	10	10						
11	1	198162-62650	COVER L,FOOT	1	1						
12	1	798163-62670	COVER, FOOT R	1	1						
13	1	198163-62810	FRAME ASSY, STEP R	1	1						
14	1	198220-62890	STOPPER	8	8						
15	1	198163-62960	COVER, MISSION FRONT	1	1						
16	1	22372-080000	SNAP PIN (JASO 8)	6	6						
17	1	26018-080202	BOLT M 8X 20	4	4						
18	1	26018-080202	BOLT M 8X 20	5	5						
19	1	26018-080202	BOLT M 8X 20	4	4						
20	1	26018-080202	BOLT M 8X 20	2	2						
21	1	26018-080202	BOLT M 8X 20	4	4						
22	1	26018-080202	BOLT M 8X 20	2	2						
23	1	29321-251160	GROMMET, 25X1.0X160	1	1						

Fig.66. SEAT

(A)=KE-140  
(B)=KE-160  
(C)=

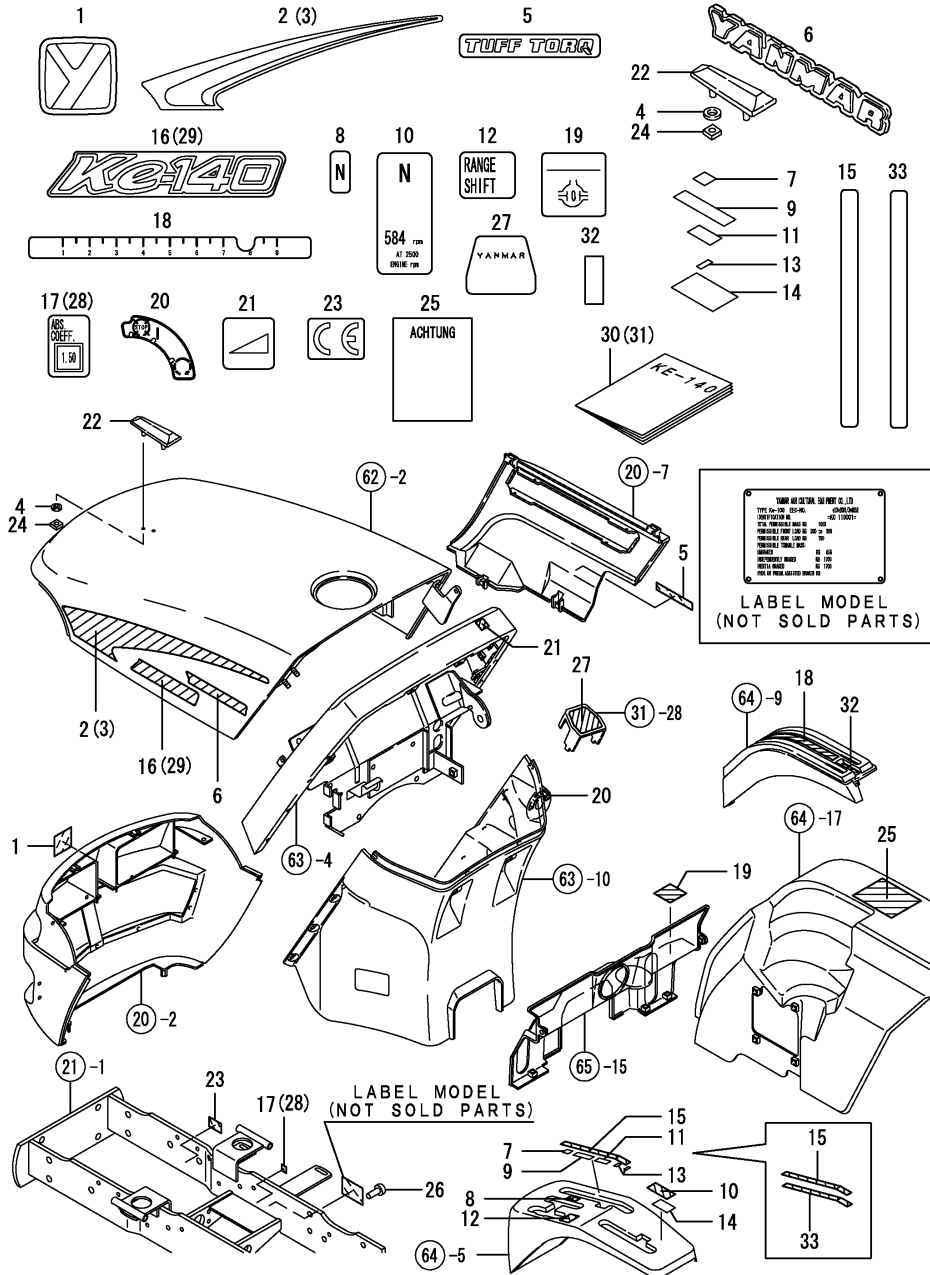
(D)=  
(E)=  
(F)=



REF.	LEV.	PARTS NO.	DESCRIPTION	QTY						I	R
				(A)	(B)	(C)	(D)	(E)	(F)		
1	1	198163-63100	SEAT ASY	1	1						
2	1	198163-63310	BRACKET, SEAT	1	1						
2-1	1	198163-63311	BRACKET, SEAT	1	1						S
3	1	198163-63450	ADAPTER, SEAT	1	1						
4	1	194205-63550	BREATHER, AIR	1	1						
5	1	26018-080202	BOLT M 8X 20	2	2						
5-1	1	26018-080252	BOLT M8X 25	2	2						N
6	1	23065-090400	PIPE 9X400	1	1						
6-1	1	23065-090140	HOSE 9* 140	1	1						N
7	1	23080-012000	CLAMP 12	2	2						
8	1	26013-080202	BOLT W/WASHER M8X20	1	1						
9	1	26018-080162	BOLT M 8X 16	1	1						
10	1	26018-080202	BOLT M 8X 20	2	2						
11	1	26018-080252	BOLT M8X 25	2	2						
12	1	26018-080252	BOLT M8X 25	4	4						



Fig.68. LABEL



(A)=KE-140  
(B)=KE-160  
(C)=

(D)=  
(E)=  
(F)=

REF.	LEV.	PARTS NO.	DESCRIPTION	QTY						I	R
				(A)	(B)	(C)	(D)	(E)	(F)		
1	1	198421-65030	MARK 50, YANMAR	1	1						
2	1	198162-65110	STRIPE L, SIDE	1	1						
3	1	198162-65120	STRIPE R, SIDE	1	1						
4	1	194555-65130	CUSHION	2	2						
5	1	1A6750-65360	LABEL TUFF TORQ	1	1						
6	1	194766-65170	MARK(YANMAR 280	2	2						
6-1	1	198162-65380	LABEL, YANMAR	2	2						N
		(A=F110170) (B=F110110)									
7	1	198163-65220	PLATE, RUBBER A	1	1						Z
		(A=F110066) (B=F110041)									
8	1	198435-65220	LABEL, N	1	1						
9	1	198163-65230	PLATE, RUBBER B	1	1						Z
		(A=F110066) (B=F110041)									
10	1	198435-65230	LABEL, P.T.O.	1	1						
11	1	198163-65240	PLATE, RUBBER C	1	1						Z
		(A=F110066) (B=F110041)									
12	1	198435-65240	LABEL, SUB-CHANGE	1	1						
13	1	198163-65250	PLATE, RUBBER D	2	2						Z
		(A=F110066) (B=F110041)									
14	1	198163-65260	PLATE, RUBBER E	1	1						
15	1	198163-65270	LABEL, MAIN CHANGE	1	1						
16	1	198163-65320	LABEL, MODEL NAME 140	2							
17	1	198163-65340	DECAL, SMOKE	1							
18	1	198036-65420	LABEL, HYDROOLIFT	1	1						
19	1	194240-65441	LABEL, DIFF. LOCK	1	1						
20	1	1A6640-65510	LABEL, KEY SWITCH	1	1						
21	1	1A6640-65530	LABEL, THROTTLE	1	1						
22	1	1A6750-65590	MARK, TOP	1	1						
23	1	198165-65590	DECAL, CE	1	1						
24	1	194200-65610	NUT 5	2	2						
25	1	1A6770-65630	LABEL (PINCH CLEAR)	1	1						
26	1	194080-65910	RIVET	4	4						
27	1	1W4905-70050	PLATE, NAME	1	1						
28	1	198164-65310	DECAL, SMOKE		1						
29	1	198164-65320	LABEL, MODEL NAME 160		2						
30	1	198163-90220	OPERATORS MANUAL	1							
31	1	198164-90220	OPERATORS MANUAL		1						
31-1	1	198163-90220	OPERATORS MANUAL	1							N
		(B=FXXXXX)									
32	1	198421-65430	LABEL,	1	1						W
		(A=FXXXXX) (B=FXXXXX)									
33	1	198163-27420	PLATE, GUIDE	1	1						W
		(A=F110066) (B=F110041)									

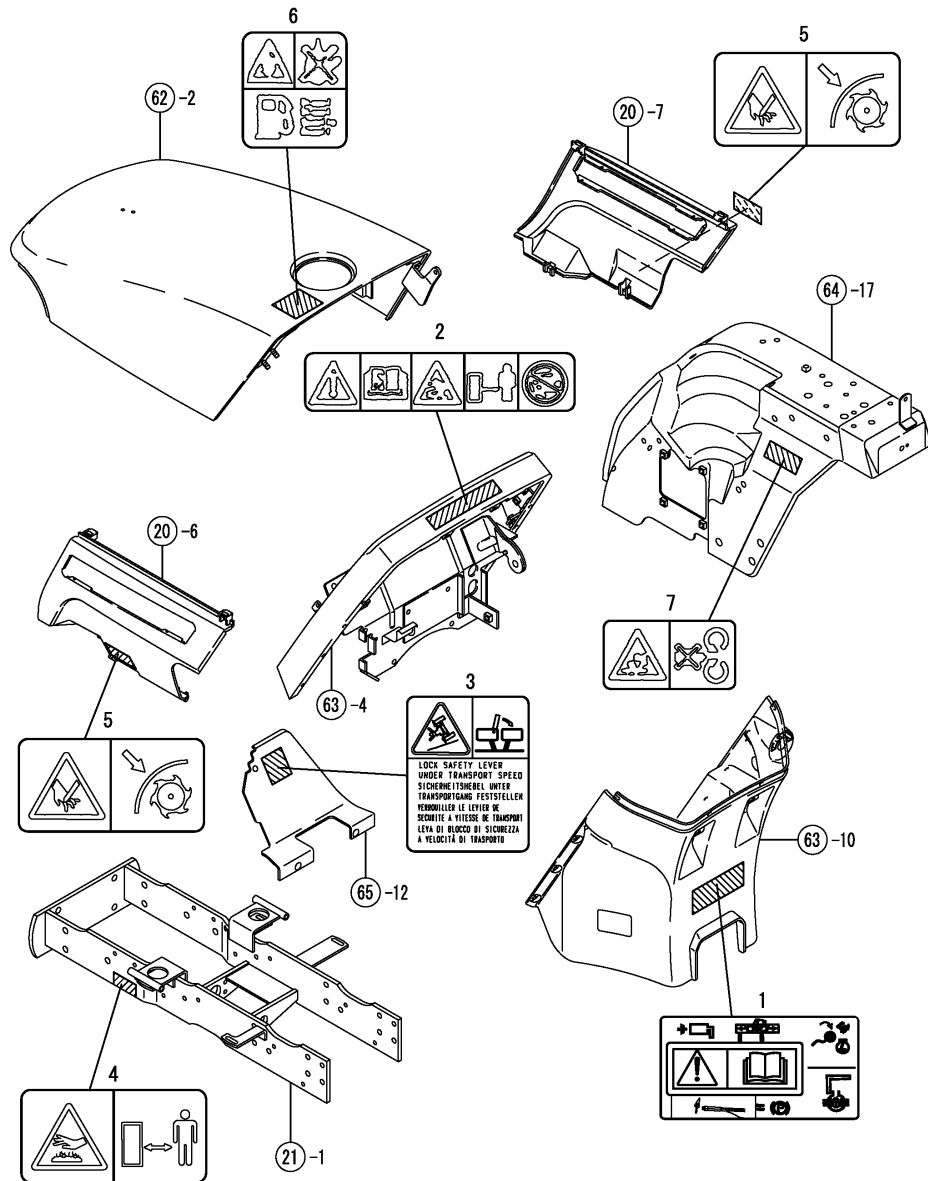




Fig.69. LABEL(SAFETY)

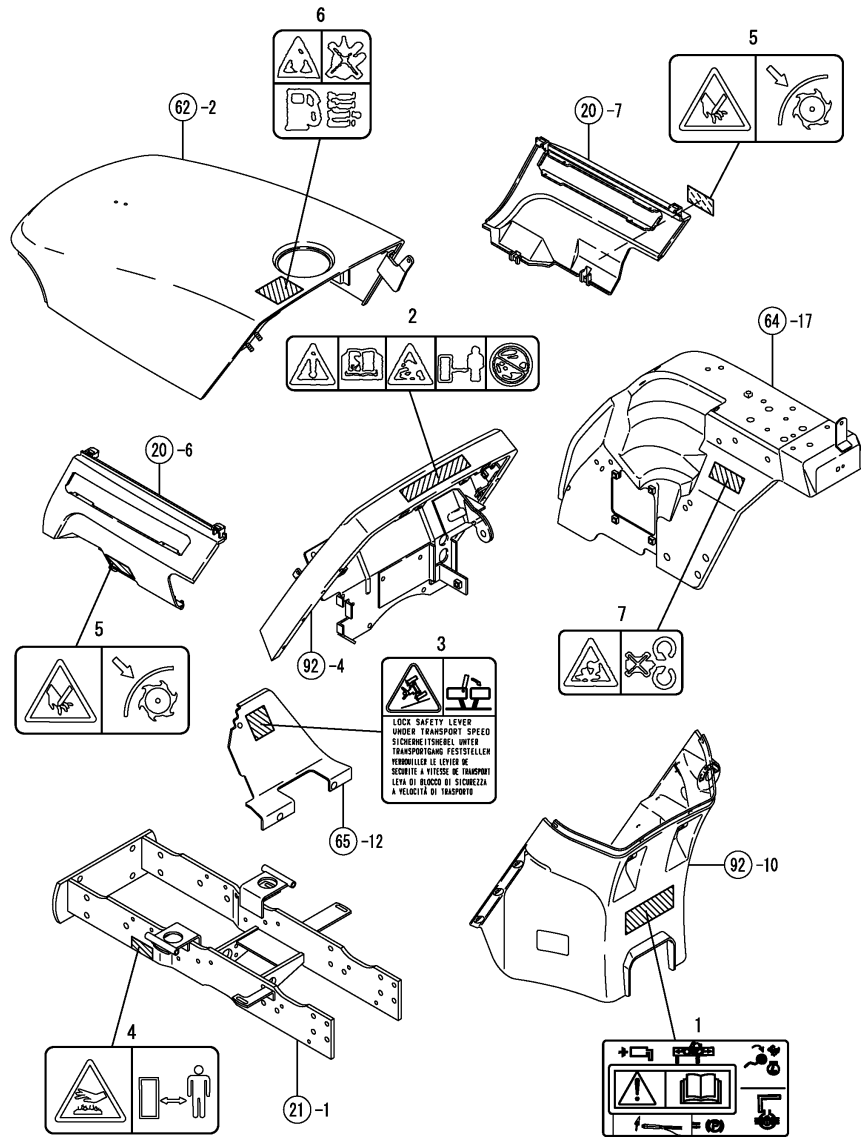
(A)=KE-140  
(B)=KE-160  
(C)=

(D)=  
(E)=  
(F)=



REF.	LEV.	PARTS NO.	DESCRIPTION	QTY						I	R
				(A)	(B)	(C)	(D)	(E)	(F)		
1	1	198163-65300	LABEL,OPERATION G	1	1						
2	1	198163-65310	LABEL, SAFETY	1	1						
3	1	198163-65780	LABEL,BRAKE COUPLING	1	1						
4	1	198163-65930	CAUTION,MUFFLER	1	1						
5	1	198163-65940	CAUTION,SAFETY COVER	2	2						
6	1	1A6150-91251	LABEL,RAKE CAUTION	1	1						
7	1	1A6150-93151	LABEL,COVER	1	1						

Fig.94. LABEL(SAFETY(ADD.



(A)=KE-140  
(B)=KE-160  
(C)=

(D)=  
(E)=  
(F)=

REF.	LEV.	PARTS NO.	DESCRIPTION	QTY						I	R
				(A)	(B)	(C)	(D)	(E)	(F)		
1	1	198163-65300	LABEL,OPERATION G	1	1						
2	1	198163-65310	LABEL, SAFETY	1	1						
3	1	198163-65780	LABEL,BRAKE COUPLING	1	1						
4	1	198163-65930	CAUTION,MUFFLER	1	1						
5	1	198163-65940	CAUTION,SAFETY COVER	2	2						
6	1	1A6150-91251	LABEL,RAKE CAUTION	1	1						
7	1	1A6150-93151	LABEL,COVER	1	1						

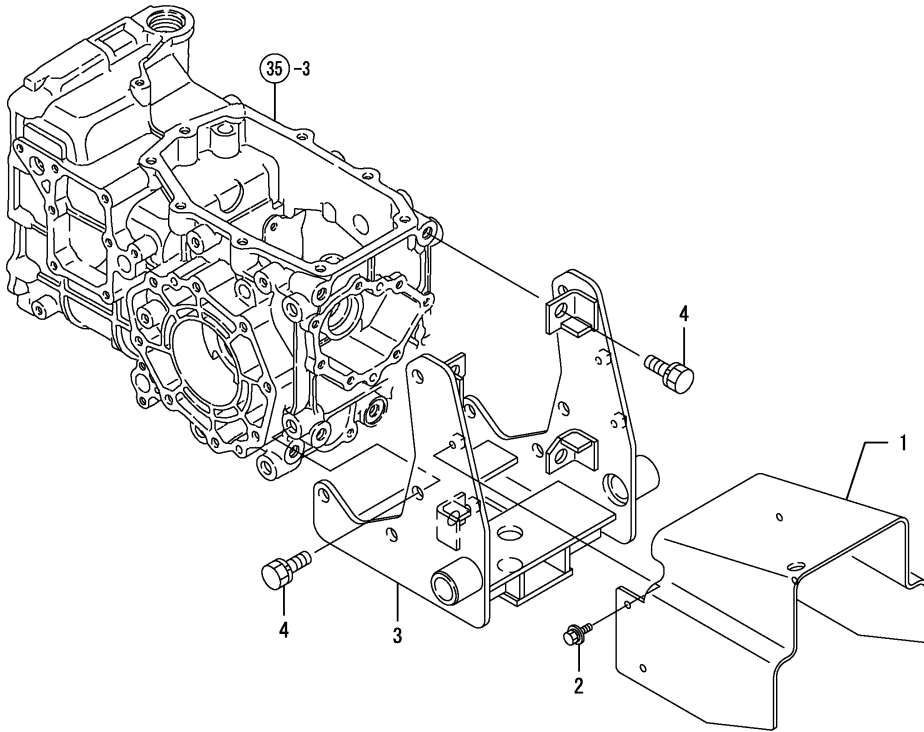
Remarks

\* FIGURE FOR POWER STEERING TYPE

Fig.70. REAR HITCH

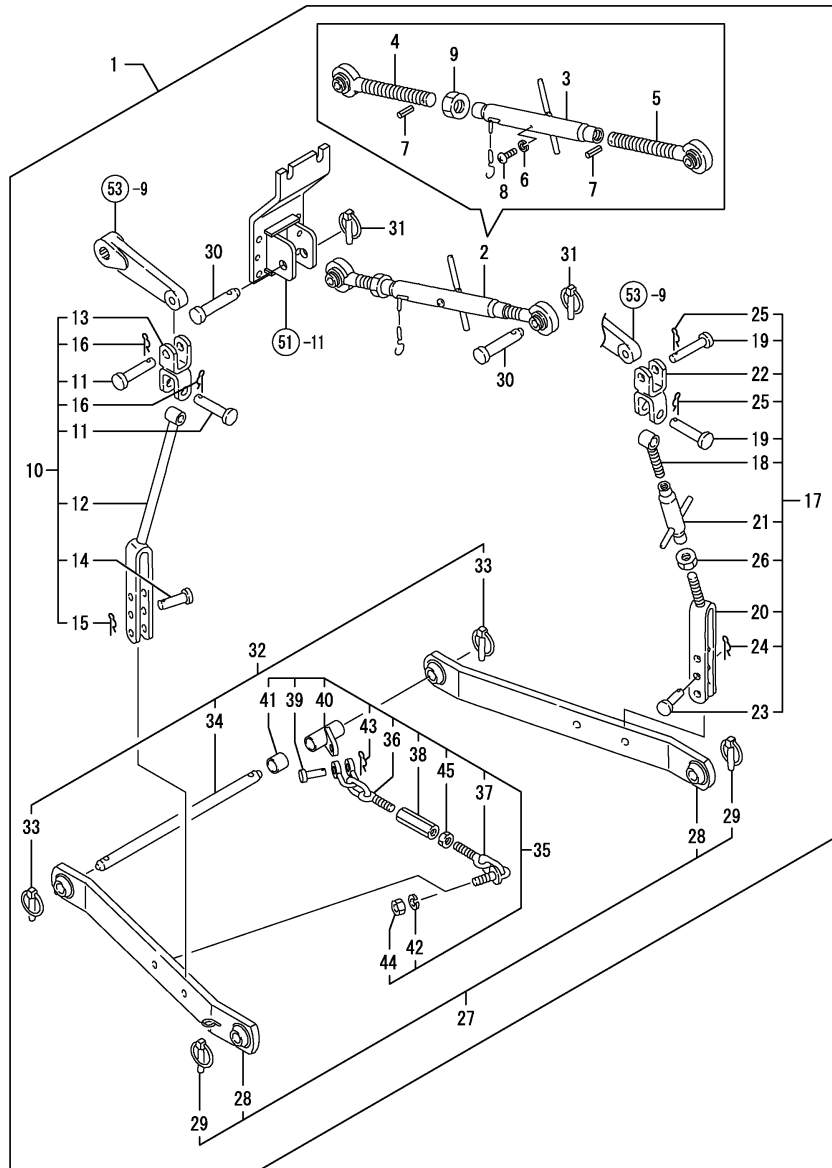
(A)=KE-140  
(B)=KE-160  
(C)=

(D)=  
(E)=  
(F)=



REF.	LEV.	PARTS NO.	DESCRIPTION	Q'TY						I	R
				(A)	(B)	(C)	(D)	(E)	(F)		
1	1	198163-75510	COVER, PTO GUARD	1	1						
2	1	26018-060162	BOLT M6X16	4	4						
3	1	198163-75010	HITCH ASSY, REAR	1	1						
3-1	1	198163-75011	HITCH ASSY, REAR	1	1						R
		(A=F110269) (B=F110354)									
4	1	26013-120302	BOLT W/WASHER M12X30	12	12						

Fig.71. THREE POINT HITCH



Remarks

(1) USED FOR LEFT SIDE. USED NOT FOR RIGHT SIDE.

OCNP3-G97000 71. THREE POINT HITCH

(A)=KE-140  
(B)=KE-160  
(C)=

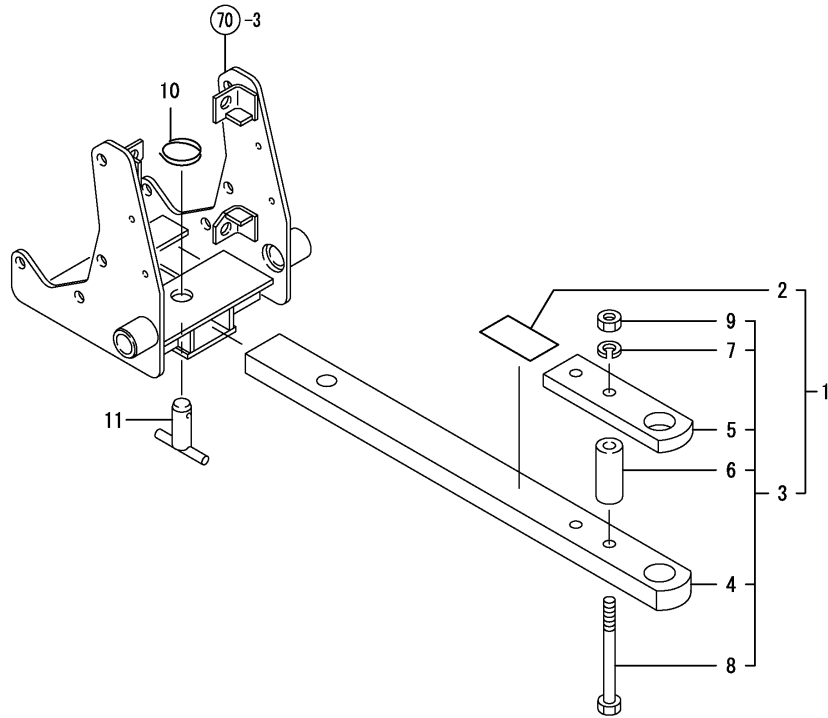
(D)=  
(E)=  
(F)=

REF.	LEV.	PARTS NO.	DESCRIPTION	QTY						I	R
				(A)	(B)	(C)	(D)	(E)	(F)		
1	1	198163-75300	3-POINT HITCH ASSY	1	1						
2	2	7T6963-01100	LIK-ASSY, TOP T-710	1	1						
3	3	194555-71500	TURNBUCKLE	1	1						
4	3	194145-71600	LINK (R), TOP	1	1						
5	3	194145-71700	LINK (L), TOP	1	1						
6	3	22217-060000	SPRING WASHER 6	1	1						
7	3	22351-040024	SPRING PIN 4X24	2	2						
8	3	26557-060102	SCREW 6X10	1	1						
9	3	26756-240002	LOCK NUT M24 PLATED	1	1						
10	2	7T6964-18300	BOLT W/WASHER 10* 30	1	1						
11	3	195165-17390	PIN 16X48	2	2						
12	3	198421-72210	LINK ASSY, LIFT	1	1						
13	3	194193-72410	LINK JOINT, LIFT	1	1						
14	3	194150-72460	PIN, LIFT YOKE	1	1						
15	3	22360-140000	SNAP PIN 14	1	1						
16	3	22360-160000	SNAP PIN 16	2	2						
17	2	7T6964-18400	LINK R ASSY., LIFT	1	1						
18	3	1T6961-10300	LINK R, LIFT UPPER	1	1						
19	3	195165-17390	PIN 16X48	2	2						
20	3	198421-72110	LINK R CMP, LIFT LOWR	1	1						
21	3	194190-72231	TURNBUCKLE, LIFT LINK	1	1						
22	3	194193-72410	LINK JOINT, LIFT	1	1						
23	3	194150-72460	PIN, LIFT YOKE	1	1						
24	3	22360-140000	SNAP PIN 14	1	1						
25	3	22360-160000	SNAP PIN 16	2	2						
26	3	26756-180002	LOCK NUT M18 PLATED	1	1						
27	2	7T6964-18600	LINK ASSY., LOWER	1	1						
28	3	1T6964-18610	LINK ASSY., LOWER	2	2						
29	3	794130-71410	PIN ASSY, BALL SOCKET	2	2						
30	2	194150-71230	PIN, TOP LINK	2	2						
31	2	794130-71410	PIN ASSY, BALL SOCKET	2	2						
32	2	198435-75100	HINGE CMP., LOWR. LINK	1	1						
33	3	794130-71410	PIN ASSY, BALL SOCKET	2	2						
34	3	198435-75110	PIN, LOWER LINK HINGE	1	1						
35	2	198435-75200	CHAIN COMP., CHECK	1	1						
36	3	1T6964-18710	CHAIN COMP., FRNT. CHK	2	2						
37	3	1T6964-18760	CHAIN COMP., REAR CHK	2	2						
38	3	1T6964-18790	NUT 10	2	2						
39	3	194150-74630	PIN, SHACKLE	2	2						
40	3	198435-75210	SUPPORTER, LINK CHAIN	2	2						
41	3	198435-75220	COLLAR 23X30X27	1	1						1
42	3	22217-160000	SPRING WASHER 16	2	2						
43	3	22360-140000	SNAP PIN 14	2	2						
44	3	26716-160002	NUT M16	2	2						
45	3	26756-140002	LOCK NUT M14 PLATED	2	2						

Fig.72. DRAW BAR HITCH

(A)=KE-140  
(B)=KE-160  
(C)=

(D)=  
(E)=  
(F)=

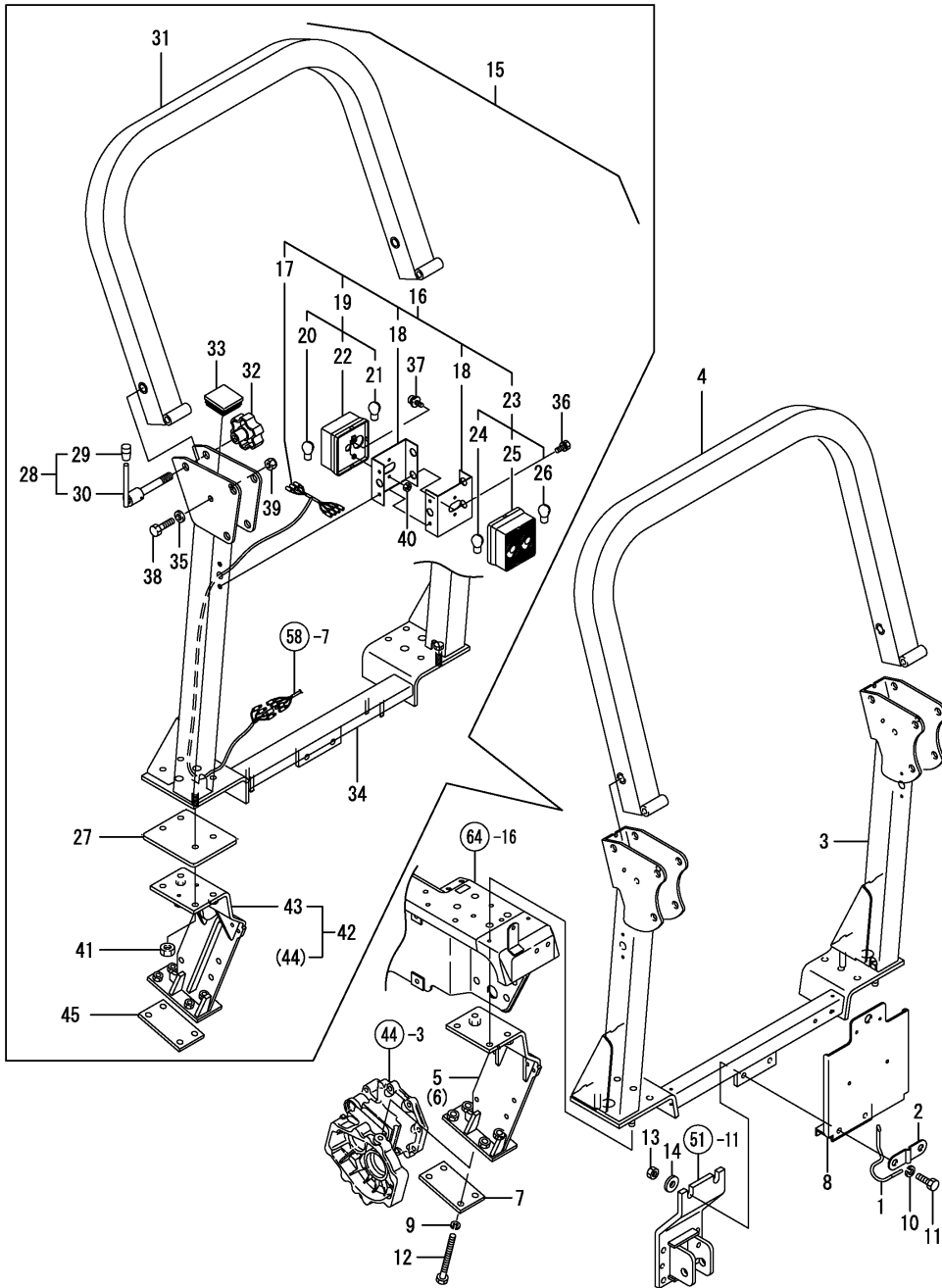


REF.	LEV.	PARTS NO.	DESCRIPTION	QTY						I	R
				(A)	(B)	(C)	(D)	(E)	(F)		
1	1	198173-75100	DRAWBAR KIT. (49)	1	1						
2	2	198173-65210	LABEL; DRAWBAR	1	1						
3	2	198165-75200	DRAWBAR,COMP	1	1						
4	3	198165-75210	DRAWBAR	1	1						
5	3	198165-75250	CLEVIS (49)	1	1						
6	3	198165-75260	SPACER,CLEVIS (49)	2	2						
7	3	22217-120000	SPRING WASHER 12	2	2						
8	3	26116-121302	BOLT M12X130 PLATED	2	2						
9	3	26716-120002	NUT 12	2	2						
10	1	194145-75250	RING	1	1						
11	1	198165-75720	PIN,DRAW-BAR	1	1						

Fig.73. ROPS

(A)=KE-140  
(B)=KE-160  
(C)=

(D)=  
(E)=  
(F)=



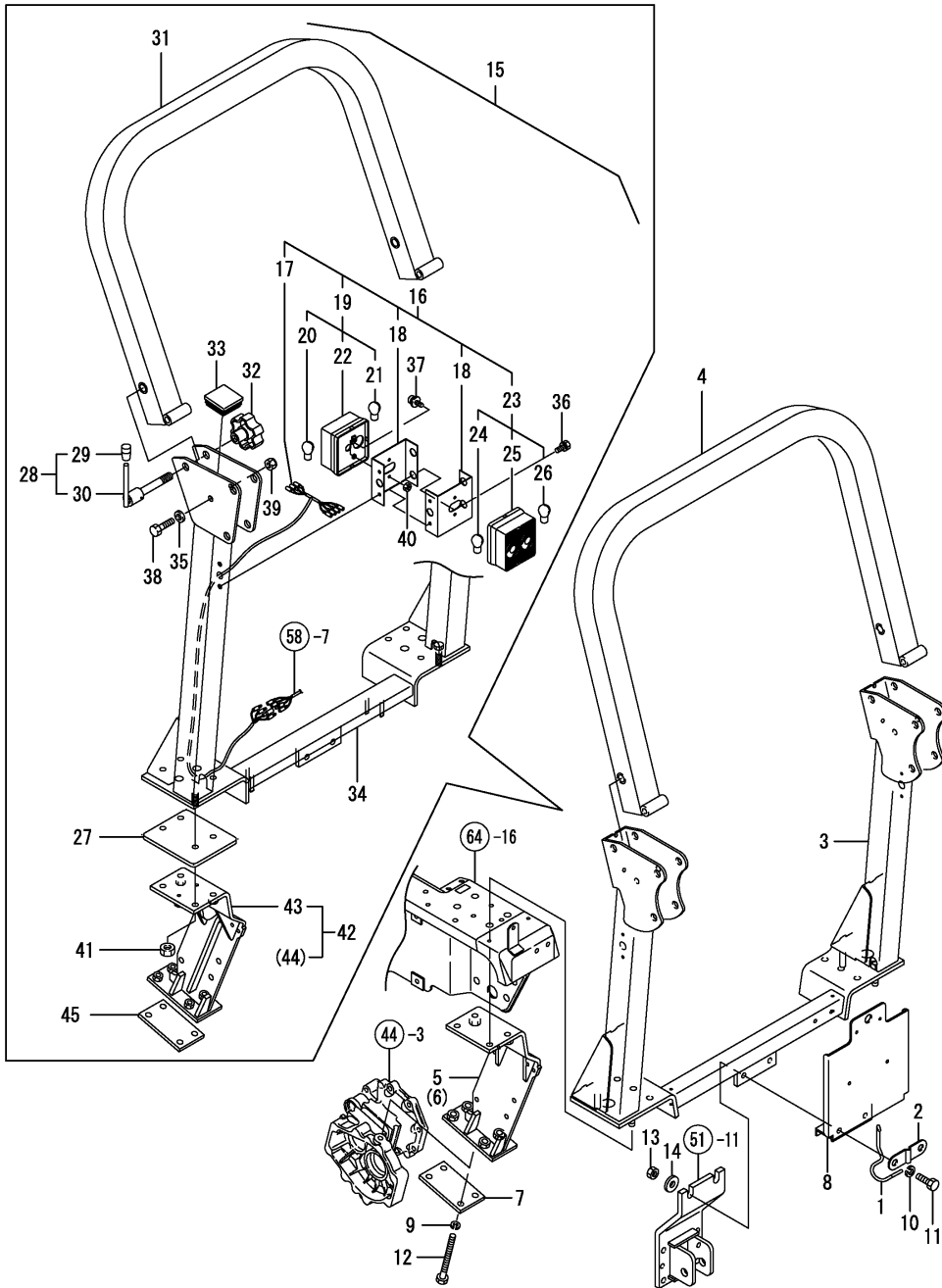
REF.	LEV.	PARTS NO.	DESCRIPTION	QTY						I	R
				(A)	(B)	(C)	(D)	(E)	(F)		
1	1	198165-71150	RETEINER,UPPER LINK	1	1						
2	1	198165-71161	GUIDE,RETEINER	1	1						
3	1	198174-85110	UPPER FRAME ; UNDER	1	1						Z
4	1	198174-85120	UPPER FRAME ; UPPER	1	1						Z
5	1	198163-85150	FRAME ASSY, LOWER CL	1	1						Z
6	1	198163-85250	FRAME ASSY, LOWER CR	1	1						Z
7	1	198162-85360	PLATE L,ROPS LOWER	2	2						Z
8	1	198163-85670	PLATE(N.P CMP	1	1						
9	1	22217-120000	SPRING WASHER 12	8	8						
10	1	22217-120000	SPRING WASHER 12	2	2						
11	1	26076-120402	BOLT 10.9 12X 4	2	2						
11-1	1	198165-85960	BOLT M12X 45 PLATED	2	2						N
12	1	26116-121302	BOLT M12X130 PLATED	8	8						
12-1	1	26076-121252	BOLT, 12 X 125	8	8						N
13	1	26716-120002	NUT 12	2	2						
14	1	22157-120000	WASHER 12	2	2						W
15	1	198163-85050	ROPS(140 KIT	1	1						W
16	2	198163-53300	COMB LIGHT CMP	2	2						W
17	3	198163-51520	WIRE HARNESS	2	2						W
18	3	198163-53230	BRACKET(CMPLAMP	4	4						W
19	3	198163-53310	F CMPLAMPCMP	2	2						W
20	4	1A7100-53220	BULB	2	2						W
21	4	1A7100-53230	BULB	2	2						W
22	4	198163-53320	BODYF CMP	2	2						W
23	3	198163-53330	R CMPLAMPCMP	2	2						W
24	4	1A7100-53220	BULB	2	2						W
25	4	198163-53340	BODYR CMP	2	2						W
26	4	198163-53350	BULB 12V5W21W	2	2						W
27	2	198163-85290	BASEPLATE	2	2						W
28	2	198163-85410	HANDLE SET J(ROPS	2	2						W

N:Old  $\begin{matrix} \leftarrow \text{Yes} \\ \text{No} \end{matrix}$  New, Q:Old  $\begin{matrix} \leftarrow \text{No} \\ \text{Yes} \end{matrix}$  New, R:Old  $\begin{matrix} \leftarrow \text{Yes} \\ \text{Yes} \end{matrix}$  New, S:Old  $\begin{matrix} \leftarrow \text{No} \\ \text{No} \end{matrix}$  New, W:Add, Z:Discontinued, F:Interchangeable by set, K:Q'ty Change  
++ CONTINUE ++  
(C)Copy Rights YANMAR CO.,LTD.

Fig.73. ROPS

(A)=KE-140  
(B)=KE-160  
(C)=

(D)=  
(E)=  
(F)=



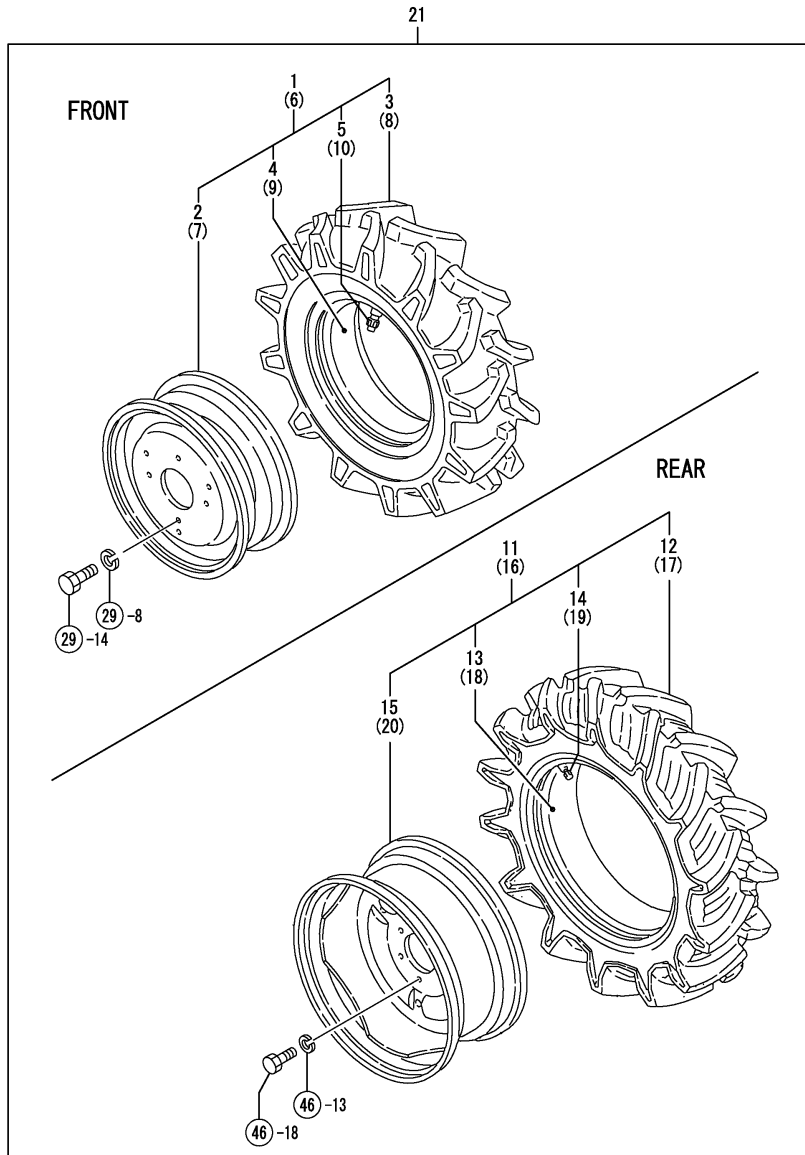
REF.	LEV.	PARTS NO.	DESCRIPTION	QTY						I	R
				(A)	(B)	(C)	(D)	(E)	(F)		
		(A=F110170) (B=F110222)									
29	3	194150-01190	KNOB, THROTTLE LEVER	2	2						W
		(A=F110170) (B=F110222)									
30	3	198163-85620	HANDLE(ROPS CMP	2	2						W
		(A=F110170) (B=F110222)									
31	2	198163-85560	UPPERFRAME(U CMP	1	1						W
		(A=F110170) (B=F110222)									
32	2	198163-85630	KNOB M16	2	2						W
		(A=F110170) (B=F110222)									
33	2	198163-85640	CAP(ROPS	4	4						W
		(A=F110170) (B=F110222)									
34	2	198163-85850	UPPERFRAME(L CMP	1	1						W
		(A=F110170) (B=F110222)									
35	2	22137-120000	WASHER 12,POLISHED	2	2						W
		(A=F110170) (B=F110222)									
36	2	26013-060162	BOLT M 6X 16	4	4						W
		(A=F110170) (B=F110222)									
37	2	26023-050122	SCREW M 5X 12	4	4						W
		(A=F110170) (B=F110222)									
38	2	26076-121002	BOLT M12X100	2	2						W
		(A=F110170) (B=F110222)									
39	2	26346-120002	U-NUT M12 PLATED	2	2						W
		(A=F110170) (B=F110222)									
40	2	26716-050002	NUT M 5	4	4						W
		(A=F110170) (B=F110222)									
41	2	26716-120002	NUT 12	6	6						W
		(A=F110170) (B=F110222)									
42	1	198163-85081	ROPS SET,LOWER 140	1	1						W
		(A=F110170) (B=F110222)									
43	2	198163-85150	FRAME ASSY, LOWER CL	1	1						W
		(A=F110170) (B=F110222)									
44	2	198163-85250	FRAME ASSY, LOWER CR	1	1						W
		(A=F110170) (B=F110222)									
45	2	198162-85360	PLATE L,ROPS LOWER	2	2						W
		(A=F110170) (B=F110222)									



Fig.74. OPTION

(A)=KE-140  
(B)=KE-160  
(C)=

(D)=  
(E)=  
(F)=



REF.	LEV.	PARTS NO.	DESCRIPTION	Q'TY						I	R
				(A)	(B)	(C)	(D)	(E)	(F)		
1	1	798531-14710	TIRE,FRONT L.H. KIT		1						
2	2	198531-14720	WHEEL DC3.00-12		1						
3	2	198531-14740	TIRE 5.00-12		1						
4	2	198531-14750	TUBE		1						
5	2	194190-34730	HOUSING,CORE		1						
6	1	798531-14810	FRONT TIRE R.H. KIT		1						
7	2	198531-14720	WHEEL DC3.00-12		1						
8	2	198531-14740	TIRE 5.00-12		1						
9	2	198531-14750	TUBE		1						
10	2	194190-34730	HOUSING,CORE		1						
11	1	198164-34300	TIRE 8-18 L KIT		1						
12	2	198164-34320	TIRE 8-18		1						
13	2	198164-34330	TUBE		1						
14	2	194190-34730	HOUSING,CORE		1						
15	2	198531-34730	WHEEL W6-18		1						
16	1	198164-34350	TIRE 8-18 R KIT		1						
17	2	198164-34320	TIRE 8-18		1						
18	2	198164-34330	TUBE		1						
19	2	194190-34730	HOUSING,CORE		1						
20	2	198531-34730	WHEEL W6-18		1						
21	1	198164-14700	TIRE KIT,LAG		1						W 1

(B=FXXXXX)

Remarks  
(1)REF.NO1 FOR NO.20 IS INCORPORATED  
IN THIS REF.NO.21

N:Old  $\xrightarrow{\text{Yes}}$  New, Q:Old  $\xrightarrow{\text{No}}$  New, R:Old  $\xrightarrow{\text{Yes}}$  New, S:Old  $\xrightarrow{\text{No}}$  New, W:Add, Z:Discontinued, F:Interchangeable by set, K:Q'ty Change





## Part Number Index

All parts are stipulated in the order of part numbers.

(Depending on the area in which the part is used.)

This index will display the location of the part according to each part number.

## PARTS No. INDEX

PARTS No.	Fig.	Ref.No.
101504-55101	19	7
	76	7
102103-55520	17	31
104200-55321	17	34
104200-55330	17	35
104200-55750	17	40
104200-59170	14	42
104500-55710	17	42
105010-11230	4	36
		40
105025-59550	14	48
105027-12570	5	9
105225-21501	8	11
105225-22400	8	26
105225-59240	14	49
105546-51330	12	26
110250-55610	17	32
114250-11120	4	19
		68
114250-11180	4	20
		69
114250-39450	10	28
114250-53130	14	11
114250-53400	14	13
114371-77110	15	2 E
114371-77140	15	2 F
114371-77160	15	2 G
114371-77170	15	2 L
114371-77180	15	2 M
114371-79040	15	2 H
114371-79050	15	2 J
114371-79060	15	2 K
114371-79070	15	2 T
118400-03060	4	50
119131-18320	6	1
119209-35030	10	26
119209-42140	11	18
119209-42320	11	10
119209-59810	14	30
119209-59820	14	34
119209-59830	14	38
119225-01340	1	29
119225-14200	7	21
119225-35300	10	16
119225-51100	12	5
119225-51300	12	23
119230-21651	8	8
119232-61510	13	21
119232-61540	13	36
119233-12700	5	11

PARTS No.	Fig.	Ref.No.
119233-21660	8	50
119247-77100	59	15
119255-53100	14	7
119258-44740	11	33 -1
119260-01510	2	18
119260-02020	1	15
119260-02800	1	20
119260-02930	1	23
119260-03020	4	48
119260-03031	4	49
119260-07900	4	2
119260-11100	4	17
		66
119260-11110	4	18
		67
119260-11200	4	27
119260-11240	4	28
119260-11260	4	31
119260-11270	4	33
119260-11280	4	34
119260-11310	4	53
119260-11340	4	21
		71
119260-11370	4	22
		72
119260-11800	4	12
		60
119260-13110	6	2
119260-14100	7	7
119260-14200	7	1
119260-14400	7	2
119260-14580	7	3
119260-21200	8	5
		47
119260-22300	8	25
119260-25100	7	11
119260-32000	10	1
119260-42003	11	1
119260-42004	11	1 -1
119260-42021	11	12
119260-49530	11	17
119260-59520	14	46
119260-59530	14	47
119260-73910	8	31
119263-01490	2	15
119263-01590	2	2
119263-26001	7	17
119265-01250	1	14
119265-01341	1	30
119265-11260	4	32

PARTS No.	Fig.	Ref.No.
119265-11700	4	56
119265-13800	6	5
119265-13820	6	4
119265-13860	6	3
119265-21700	8	43
119265-22300	8	65
119265-22500	8	59
119265-22601	8	57
119265-22930	8	67
119265-22950	8	69
119265-23100	8	27
119265-23200	8	32
119266-01200	1	28
119266-02410	1	26
119266-59580	14	55
119266-61460	13	101
119270-12110	5	2
119270-22091	8	17
119275-12101	5	1
119285-42051	11	4 -1
119285-42052	11	4
119285-42120	11	5
119285-66080	13	46
119285-66600	13	96
119285-66620	13	105
119305-35151	10	15
119356-59571	14	54
119454-01721	3	16
119462-01602	3	13
119462-01770	3	6
119462-12550	5	12
119462-21591	8	12
119462-34800	10	13
119462-35080	10	25
119462-44600	11	32
119462-55620	17	29
119462-59150	14	43
119600-11450	4	23
		73
119600-11460	4	24
		74
119600-61100	13	106
119600-61200	13	107
119600-61541	13	37
119600-61900	13	44
119600-66010	13	54
119600-66720	13	63
119620-01530	13	61
119620-01620	3	1
119620-01800	2	5

PARTS No.	Fig.	Ref.No.
119620-02450	7	4
119620-11350	4	44
119620-21941	8	10
119620-25912	7	13
119620-42291	11	15
119620-42350	11	16
119620-51170	12	8
119620-51180	12	9
119620-51190	12	10
119620-51250	12	11
119620-51340	12	27
119620-51350	12	28
119620-51370	12	29
119620-51450	12	30
119620-51461	12	31
119620-51510	12	33
119620-51640	12	34 A
119620-51650	12	35
119620-51660	12	37
119620-51670	12	36
119620-51680	12	38
119620-51700	12	39
119620-53000	14	3
119620-53080	14	6
119620-53120	14	10
119620-53140	14	12
119620-59700	14	57
119620-77201	16	2
119620-77380	16	4
119620-77421	16	8
119620-77440	16	13
119620-77450	16	14
119620-77461	16	15
119620-77471	16	16
119620-77480	16	20
119620-77490	16	29
119620-77710	16	17
119620-79200	16	9
119620-79210	16	10
119620-79220	16	11
119620-79230	16	12
119620-79240	16	5
119620-79250	16	6
119620-79260	16	18
119620-79270	16	19
119620-79280	16	21
119620-79290	16	22
119620-79300	16	23
119620-79310	16	24
119620-79320	16	25

## PARTS No. INDEX

PARTS No.	Fig.	Ref.No.
119620-79330	16	26
119620-79340	16	27
119620-79350	16	28
119620-79360	16	7
119621-21680	8	9
119621-66051	13	55
119623-01950	2	26
119624-32040	2	7
119626-07900	4	2 -1
119626-13510	6	6
119626-77900	15	3
119629-49070	17	14
119629-49080	17	15
119629-66510	13	62 -1
119632-61200	13	9
119632-61500	13	16 -1
119645-77820	4	3
119650-13620	17	2
		4
119650-77330	16	31
119650-77910	17	44
119653-66500	13	57
119654-66700	13	63 -1
119655-12560	5	8
119660-01551	2	21
119660-01562	2	22
119660-01570	2	23
119660-01640	3	2
119660-01821	7	30
119660-01911	2	6
119660-25022	7	9
119660-25052	7	10
119660-32020	10	11
119660-51500	12	32
119660-51530	12	34
119660-61052	13	12
119660-61053	13	12 -1
119660-61060	13	4
119660-61071	13	5
119660-61121	13	6
119660-61122	13	6 -1
119660-61140	13	7
119660-61141	13	7 -1
119660-61150	13	8
119660-61151	13	8 -1
119660-61300	13	111
119660-61341	13	112
119660-61460	13	13
119660-61590	13	43
119660-61651	13	39

PARTS No.	Fig.	Ref.No.
119660-61901	13	45
119668-11331	4	47
119668-12510	5	5
119668-12520	5	6
119668-12600	5	13
119668-13200	6	10
119668-21590	8	52
119668-26000	9	2
119668-26010	9	2 -1
119668-26011	9	2 -2
119668-26610	9	7
119668-26690	9	8
119668-52020	2	25
119668-59010	14	50
119668-59550	14	44
119668-77019	15	2
119808-12540	5	7
119810-55340	17	36
119860-34810	10	14
119865-12600	5	14
119865-77013	15	2 -1
119865-77760	15	2 P
119865-77780	15	2 R
120323-61470	13	62
121250-44901	11	20
121450-01560	2	1
		19
121450-42450	11	22
121450-44531	11	26
121454-44590	17	26
121465-44740	11	33
121465-59950	13	3
121468-44510	11	24
121468-44540	11	27
121470-44581	11	29
121520-01851	2	24
121550-49111	11	23
121575-66830	13	95
123440-91140	61	11
123501-79240	16	5 -1
124060-01050	1	13
124060-21600	8	16
		56
124064-55510	17	30
124066-59100	14	45
124085-02220	3	4
124097-77710	15	2 N
124160-01751	2	13
124160-11360	4	55
124160-77020	17	43

PARTS No.	Fig.	Ref.No.
124195-77770	15	2 Q
124240-01883	9	1
124450-44560	11	28
124465-44950	11	21
124764-44810	11	31
124766-59050	14	51
124950-21230	8	13
		53
129030-44760	11	34 -1
129054-01640	3	9
129100-01580	3	12
	8	2
		44
129100-61930	13	53
129107-13540	6	7
129107-44590	17	8
129150-35350	10	24
129150-49080	17	13
129150-59120	14	25
129150-59131	14	28
129150-91400	2	36
129155-51280	13	10
129155-61480	13	16
129155-61830	14	2
129155-77801	4	6
129156-61500	13	13 -1
129209-61970	13	104
129350-26490	7	19
129457-44760	11	34
158552-51930	14	2 -1
158552-61900	13	59 -1
168245-45400	54	12 -1
172026-81740	62	25
172512-42500	50	27
172512-42650	50	28
172520-76210	82	3
174307-51700	13	22
175022-49730	17	48
178070-10401	9	2 A
178077-15400	9	2 A-1
194080-15550	31	27
194080-37781	49	17
	50	26
194080-65910	68	26
	93	24
194130-48650	57	7
194136-12880	80	12
	89	2
	95	3
		7

PARTS No.	Fig.	Ref.No.
194145-61640	61	9
194145-71600	71	4
194145-71700	71	5
194145-75250	72	10
194150-01190	18	7
	73	29
194150-01270	18	9
	75	9
194150-01370	18	10
	75	10
194150-45320	55	22
194150-71230	71	30
194150-72460	71	14
		23
194150-74630	71	39
194151-36670	29	7
	33	6
	85	4
194151-42832	51	10
194151-47760	18	11
	56	31
	75	11
	90	31
194162-58830	63	3
	92	3
194167-61650	61	10
194170-45220	54	3
194170-45230	54	26
194170-45321	54	14
194170-45350	54	16
194170-45360	54	17
194170-45370	54	18
194170-45430	54	9
194170-45440	54	19
194170-45550	54	4
194170-45560	54	5
194170-65891	93	29
194180-46320	55	13
194180-47440	56	17
	90	18
194190-34730	30	5
		10
		14
		19
	47	5
		10
		15
		20
	74	5
		10

## PARTS No. INDEX

PARTS No.	Fig.	Ref.No.
194190-34730	74	14
		19
	80	5
		10
	89	9
		14
194190-72231	71	21
194191-28540	39	10
194193-72410	71	13
		22
194195-45620	55	3
194195-45640	55	5
194195-45650	55	6
194195-46260	55	8
194197-27681	40	17
	42	6
	86	15
	88	6
194197-44610	53	10
194197-51630	58	13
194200-11570	25	5
	78	5
194200-34750	46	9
194200-65610	68	24
194200-65611	93	22
194201-11230	33	1
	35	1
	85	1
194205-42280	51	8
194205-63550	66	4
194208-47450	56	18
	90	19
194208-47510	56	22
	90	2
194208-47530	56	24
	90	24
194215-04220	19	8
	76	8
194215-04430	19	15
194215-11540	21	6
194215-12340	32	6
		15
	82	1
194215-12341	22	2
		6
	32	2
		11
	77	2
		6
194215-21701	33	18

PARTS No.	Fig.	Ref.No.
194215-21701	85	14
194215-22190	34	4
194215-22210	33	22
	85	18
194215-22220	33	23
	85	19
194215-22230	33	24
	85	20
194215-24970	35	35
194215-47380	56	12
	90	13
194215-47840	56	35
	90	35
194216-12830	30	12
		17
194216-12840	30	13
		18
194240-65441	68	19
	93	17
194250-32530	35	9
194250-51660	58	15
194262-15150	31	7
194262-15160	31	9
194262-15170	31	11
194262-15220	31	5
194262-15410	31	14
194262-15420	31	15
194262-15430	31	16
194262-15440	31	17
194262-15450	31	18
194262-15460	31	19
194262-15470	31	20
194273-47910	56	9 -1
	90	37
194300-04440	19	16
194300-13340	22	3
		7
	32	3
		7
		12
		16
	77	3
		7
194300-21460	33	5
	85	3
194300-22160	34	3
194300-22240	33	25
	85	21
194300-22910	34	5
194300-31560	43	7

PARTS No.	Fig.	Ref.No.
194300-31570	43	8
194300-31620	43	9
194300-37570	49	16
	64	8
194301-11340	21	3
194301-11350	21	4
194305-24310	36	1
194305-25160	37	3
194306-13140	37	1
	38	1
	39	16
194306-14810	30	3
		8
194306-14820	30	4
		9
194310-21210	56	34
	90	34
194310-25100	33	26
	39	1
	85	22
194310-46350	51	13
194310-46380	51	14
194310-46730	51	15
194310-47790	56	32
	90	32
194310-61610	64	12
		13
194312-46630	55	15
194312-46750	35	10
	51	16
194312-51220	58	3
194314-11880	29	1
194314-12720	29	2
194330-62530	65	4
194420-27810	42	13
194420-56620	61	6
194420-62260	19	9
	76	9
194440-15230	31	12
194440-15340	31	13
194440-51630	17	28
	58	14
194447-13490	25	6
	78	6
194447-13640	46	6
194447-13650	44	1
194447-13860	23	3
194515-25180	39	2
194516-13770	26	6
	79	7

PARTS No.	Fig.	Ref.No.
194516-13780	26	8
	79	8
194521-41570	9	2 B
194550-47910	56	37
	90	38
194555-47340	56	5
	90	7
194555-47350	56	7
	90	9
194555-65130	63	14
		16
	68	4
	92	15
	93	5
194555-71500	71	3
194555-77910	35	11
194630-43230	51	12
194640-46410	55	26
194640-46420	55	27
194640-46620	55	14
194670-25370	27	5
194740-00322	34	10
	49	5
	50	3
		8
		14
194766-65170	68	6
194802-62310	63	15
	92	14
194850-25760	39	18
194850-26850	35	7
194850-26870	35	8
194850-42180	51	6
194850-42190	51	7
194850-45330	54	15
194850-45560	54	21
194850-45700	55	7
194850-49230	55	9
194855-24150	39	17
194855-25290	36	6
194856-25330	37	11
	38	2
194856-25340	37	12
194859-34150	36	7
194940-04240	19	2
	76	2
194940-04250	19	3
	76	3
194940-45520	54	20
194940-52110	59	7 -1

## PARTS No. INDEX

PARTS No.	Fig.	Ref.No.
194940-65590	93	28
194990-20170	34	11
	49	6
	50	4
		9
		15
194990-22040	58	2
194990-22050	2	40
	13	2
	17	25
	40	1
	42	1
	58	19
	86	1
	88	1
194990-22130	62	1
	64	1
		2
		3
194990-22140	41	1
	64	4
	87	1
195165-17390	71	11
		19
198036-65420	68	18
	93	15
198071-37510	34	18
	49	13
198133-22510	34	16
	49	2
198133-22530	34	17
	49	3
198133-51350	59	16
198153-51700	59	25 -1
198162-00510	17	1
198162-00520	17	3
198162-00601	17	7
198162-00640	17	10
198162-00660	17	16
198162-00670	17	17
198162-00710	17	20
198162-00720	17	21
198162-00730	17	22
198162-00770	17	59
198162-00860	17	9
198162-01210	18	20
	75	20
198162-04111	19	1
	76	1
198162-05380	20	8

PARTS No.	Fig.	Ref.No.
198162-05381	20	8 -1
198162-05390	20	9
198162-05391	20	9 -1
198162-05430	20	10
198162-05440	20	11
198162-05461	20	18 -1
198162-05462	20	18 -2
198162-05480	20	13
198162-05490	20	14
198162-05491	20	14 -1
198162-11510	21	5
198162-13350	24	1
198162-15510	31	25
198162-15520	31	26
198162-15610	31	36
198162-22410	34	12
198162-33130	45	3
198162-33140	45	4
198162-37340	49	10
198162-47630	56	30
	90	30
198162-52110	59	7
198162-52150	59	8
198162-61250	62	3
198162-61340	62	5
198162-61370	62	6
198162-61410	62	9
198162-61480	62	14
198162-61490	62	15
		15 -1
198162-61530	63	5
	92	5
198162-61540	63	6
	92	6
198162-61551	63	7
	92	7
198162-61580	63	9
198162-61630	63	13
	92	12
198162-61910	62	20
198162-61920	62	21
198162-61921	62	21 -1
198162-61950	62	22
198162-61960	62	23
198162-62210	64	15
198162-62510	65	3
198162-62530	65	5
198162-62560	65	6
198162-62590	65	7
198162-62610	65	8

PARTS No.	Fig.	Ref.No.
198162-62620	65	9
198162-62630	65	10
198162-62650	65	11
198162-65110	68	2
	93	3
198162-65120	68	3
	93	4
198162-65380	68	6 -1
	93	13
198162-85360	73	7
		45
198163-00580	17	5
198163-00581	17	5 -1
198163-00590	17	6
198163-00591	17	6 -1
198163-00770	17	23
198163-00850	18	1
	75	1
198163-04500	19	5
	76	5
198163-04510	19	6
	76	6
198163-05300	20	1
198163-05310	20	2
198163-05450	20	12
198163-05451	20	12 -1
198163-14700	95	1
198163-14730	80	11
	95	2
198163-14740	80	13
	95	4
198163-14750	80	14
	95	5
198163-15740	31	29
198163-15800	31	37
198163-15850	31	31
198163-17410	81	3
198163-17420	81	4
198163-17460	81	6
198163-17490	81	10
198163-17710	83	2
198163-17720	83	3
198163-17740	83	4
198163-17771	83	5
198163-17780	83	6
198163-17790	83	8
198163-17870	84	6
198163-21200	33	2
198163-21250	85	2
198163-24140	35	4

PARTS No.	Fig.	Ref.No.
198163-24320	35	28
198163-24321	35	28 -1
198163-25280	36	5
198163-25750	38	6
198163-26130	39	6
198163-27120	41	4
	87	4
198163-27130	41	5
	87	5
198163-27200	40	3
	86	3
198163-27270	41	18
	87	18
198163-27420	68	33
	93	1
198163-27460	64	5
198163-27510	40	8
	86	6
198163-27520	40	9
	86	7
198163-27530	40	11
198163-27531	40	11 -1
	86	9
198163-27540	40	12
	42	4
	86	10
	88	4
198163-27560	40	14
	42	5
	86	12
	88	5
198163-27571	40	15
198163-27572	40	15 -1
	86	13
198163-27630	40	16
	86	14
198163-27770	42	27
	88	12
198163-27790	42	12
	88	13
198163-27791	42	12 -1
	88	13 -1
198163-27810	42	14
	88	15
198163-27840	42	15
	88	16
198163-27870	42	29
	88	17
198163-27910	40	18
	42	16



## PARTS No. INDEX

PARTS No.	Fig.	Ref.No.
198163-27910	86	16
	88	18
198163-34300	89	1
	95	6
198163-34310	89	3
	95	8
198163-34320	89	4
	95	9
198163-36100	50	1
198163-36150	49	4
198163-36160	50	2
198163-36170	50	7
198163-36180	50	13
198163-36210	49	7
198163-36230	50	5
		10
198163-36240	50	17
198163-36510	41	39
	87	21
198163-36550	44	9
198163-36551	44	9 -1
198163-36552	44	9 -2
198163-36590	44	10
198163-36610	44	10 -1
198163-36650	50	21
198163-36710	50	23
198163-36720	50	24
198163-37350	49	11
198163-37450	49	12
198163-42810	51	9
198163-42850	51	11
198163-42950	51	8 -1
198163-43310	53	1
198163-45610	55	2
198163-47360	56	10
	90	11
198163-47370	56	11
	90	12
198163-47800	56	33
	90	33
198163-48110	57	3
198163-48160	91	1
198163-48170	91	2
198163-48220	57	2
	91	3
198163-48280	57	5
	91	5
198163-51310	17	27
198163-51510	58	7
198163-51520	73	17

PARTS No.	Fig.	Ref.No.
198163-52100	59	14 -1
198163-52110	59	14 B
198163-52120	59	14 C
198163-52150	59	14 A
198163-53050	60	1
198163-53060	60	2
198163-53070	60	3
198163-53190	58	16
	59	14 D
198163-53230	73	18
198163-53300	73	16
198163-53310	73	19
198163-53320	73	22
198163-53330	73	23
198163-53340	73	25
198163-53350	73	26
198163-56300	61	4
198163-61310	62	4
198163-61311	62	4 -1
198163-61400	62	8
198163-61401	62	8 -1
198163-61450	62	10
198163-61470	62	12
198163-61570	63	8
	92	8
198163-61640	63	12
	92	13
198163-61680	62	40
198163-61690	62	41
198163-62700	65	5 -1
198163-62810	65	13
198163-62960	65	15
198163-63100	66	1
198163-63310	66	2
198163-63311	66	2 -1
198163-63450	66	3
198163-65220	68	7
198163-65230	68	9
198163-65240	68	11
198163-65250	68	13
198163-65260	68	14
	93	10
198163-65270	68	15
	93	11
198163-65300	69	1
	94	1
198163-65310	69	2
	94	2
198163-65320	68	16
	93	12

PARTS No.	Fig.	Ref.No.
198163-65340	68	17
198163-65410	93	14
198163-65780	69	3
	94	3
198163-65930	69	4
	94	4
198163-65940	69	5
	94	5
198163-75010	70	3
198163-75011	70	3 -1
198163-75300	71	1
198163-75510	70	1
198163-81150	96	1
198163-81160	96	3
198163-85050	73	15
198163-85081	73	42
198163-85150	73	5
		43
198163-85250	73	6
		44
198163-85290	73	27
198163-85410	73	28
198163-85560	73	31
198163-85620	73	30
198163-85630	73	32
198163-85640	73	33
198163-85670	73	8
198163-85850	73	34
198163-85940	67	2
198163-85950	67	3
198163-90220	68	30
		31 -1
198163-90222	93	30
198164-12310	77	1
198164-13610	78	7
198164-13760	79	3
198164-13770	79	4
198164-13780	79	9
198164-14700	74	21
198164-17450	81	5
198164-17470	81	8
198164-17500	81	11
198164-17540	82	2
198164-17660	83	1
198164-17780	83	7
198164-17810	84	3
198164-17830	84	4
198164-17850	84	5
198164-17900	84	7
198164-24510	35	30

PARTS No.	Fig.	Ref.No.
198164-31340	43	1
198164-33410	46	1
198164-33420	46	2
198164-33510	46	5
198164-34300	74	11
	89	5
198164-34320	74	12
		17
	89	6
		11
198164-34330	74	13
	89	7
		12
198164-34350	74	16
	89	10
198164-61580	63	9 -1
	92	9
198164-65310	68	28
198164-65320	68	29
	93	26
198164-90220	68	31
198165-01130	18	4
	75	4
198165-04380	59	1
198165-13101	23	1
198165-13830	26	9
	79	10
198165-17310	81	2
198165-17350	81	1 A
198165-17481	81	9
198165-17711	84	1
198165-17731	81	12
198165-17741	81	13
198165-17781	84	2
198165-17790	81	14
198165-21450	33	17
	85	13
198165-24330	35	29
198165-24440	78	11
	83	9
198165-24490	78	12
	83	10
198165-24660	35	6
198165-26270	39	9
198165-27350	40	7
	42	3
	88	3
198165-27360	41	20
	87	20

## PARTS No. INDEX

PARTS No.	Fig.	Ref.No.
198165-32311	43	14
198165-32610	44	3
198165-32620	44	4
198165-36180	50	19
198165-36190	50	20
198165-36220	50	6 A
		16
198165-36250	50	11
198165-36350	48	3
198165-36450	48	10
198165-36780	50	25
198165-42120	51	5
198165-51130	58	8
198165-51160	59	25
198165-51310	59	2
198165-51421	58	5
198165-51450	58	6
198165-51550	58	12
198165-52100	61	1
198165-52110	61	2
198165-52120	61	3
198165-52200	59	12
198165-52250	59	13
198165-58010	59	3
198165-58120	59	4
198165-58130	59	5
	61	15
198165-61400	20	15
198165-61810	62	18
198165-61850	62	19
198165-62410	64	18
198165-65490	93	27
198165-65590	68	23
	93	21
198165-71150	73	1
198165-71161	73	2
198165-75200	72	3
198165-75210	72	4
198165-75250	72	5
198165-75260	72	6
198165-75720	72	11
198165-85960	56	38
	73	11 -1
	90	39
198167-17300	81	1
198167-48340	57	6
	91	6
198167-51310	59	2 -1
198173-65210	72	2
198173-75100	72	1

PARTS No.	Fig.	Ref.No.
198174-85110	73	3
198174-85120	73	4
198174-85610	60	10
198174-85620	60	13
198174-85630	60	16
198174-85640	60	19
198174-85660	60	11
		14
		17
		20
198174-85670	60	12
		15
		18
		21
198220-45340	55	1
198220-45350	55	23
198220-45370	55	24
198220-45630	55	4
198220-46400	55	25
198220-46670	55	16
198220-48750	57	7 -1
	91	7
198220-62150	65	1
198220-62890	65	14
198223-52150	59	9
198223-52400	61	14
198223-57110	60	9
198223-57200	61	8
198240-62451	65	2
198282-57200	61	8 -1
198290-32750	44	8
198327-47930	40	19
	86	17
198360-52160	59	8 -1
198421-00640	17	11
198421-00650	17	12
198421-00670	17	18
198421-00681	17	19
198421-01110	18	2
	75	2
198421-01120	18	3
	75	3
198421-01130	18	5
	75	5
198421-01140	18	6
	75	6
198421-01220	18	21
	75	21
198421-01250	18	8
	75	8

PARTS No.	Fig.	Ref.No.
198421-04400	19	12
198421-04410	19	13
198421-04420	19	14
198421-04430	19	4
	76	4
198421-04440	19	17
198421-04450	19	18
198421-12310	22	1
198421-13120	23	2
198421-13221	23	6
198421-13240	23	8
198421-13510	25	1
	78	1
198421-13520	25	2
	78	2
198421-13530	25	3
	27	1
	78	3
198421-13630	25	9
	78	9
198421-13650	25	10
	78	10
198421-13710	26	1
	79	5
198421-13730	26	2
	79	1
198421-13740	26	3
	79	2
198421-13750	26	4
	79	6
198421-13760	26	5
198421-13770	26	7
198421-13810	27	2
198421-13820	27	3
198421-13830	27	4
198421-13910	28	1
198421-13920	28	2
198421-14110	29	3
198421-14120	29	4
198421-14130	29	5
198421-14140	29	6
198421-14141	29	6 -1
198421-14142	29	6 -2
198421-14610	24	5
198421-14620	24	6
198421-14630	24	7
198421-15101	31	2
198421-15110	31	3
198421-15120	31	4
198421-15140	31	6

PARTS No.	Fig.	Ref.No.
198421-15150	31	8
198421-22110	33	21
	85	17
198421-22151	34	2
198421-22152	34	2 -1
198421-22440	34	13
198421-24910	35	34
198421-25231	37	6
198421-25250	37	8
198421-25800	38	8
198421-25810	38	10
198421-25820	38	12
198421-26371	39	20
198421-26380	39	21
198421-27110	40	2
	41	3
	42	2
	86	2
	87	3
	88	2
198421-27160	41	8
	87	8
198421-27170	41	9
	87	9
198421-27180	41	10
	87	10
198421-27190	41	11
	87	11
198421-27200	41	12
	87	12
198421-27220	41	14
198421-27221	41	14 -1
	87	14
198421-27240	40	6
	41	16
198421-27521	40	10
	86	8
198421-31510	43	3
198421-31530	43	5
198421-31550	43	6
198421-32320	43	15
198421-32330	43	16
198421-32340	43	17
198421-32630	44	5
198421-32660	44	7
198421-33110	45	1
198421-33120	45	2
198421-33140	45	5
198421-33150	45	6
198421-33170	45	7

## PARTS No. INDEX

PARTS No.	Fig.	Ref.No.
198421-34110	46	7
198421-34950	47	3
		8
198421-34960	47	4
		9
198421-36310	48	1
198421-36321	48	2
		7
198421-36380	48	4
		8
198421-36410	48	9
198421-37511	34	19
	49	14
198421-37550	49	15
198421-37750	49	8
198421-42102	51	1
198421-43410	53	4
198421-44110	53	5
198421-44211	53	6
198421-44230	53	7
198421-44250	53	8
198421-44410	53	9
198421-45440	54	13
198421-46302	55	12
198421-48240	57	4
	91	4
198421-52190	59	11
198421-56600	61	5
198421-56601	61	5 -1
198421-56910	61	7
198421-61380	62	7
198421-61460	62	11
198421-61470	62	13
198421-61510	62	16
198421-61540	62	17
198421-61620	63	11
	92	11
198421-62410	50	30
	64	19
198421-65030	68	1
	93	2
198421-65160	93	6
198421-65430	68	32
	93	16
198421-72110	71	20
198421-72210	71	12
198425-13610	25	7
198425-13620	25	8
	78	8
198425-14750	30	2

PARTS No.	Fig.	Ref.No.
198425-14750	30	7
198425-16150	32	1
198425-22450	34	14
198425-22480	34	15
198425-24110	35	3
198425-25120	36	3
198425-27213	41	13
	87	13
198425-27230	41	15
	87	15
198425-27290	41	19
	87	19
198425-32640	44	6
198425-34730	46	8
198425-34911	47	1
198425-34921	47	6
198425-34931	47	2
		7
198425-42220	52	1
198431-34830	47	14
		19
198431-44510	56	1
	90	1
198431-47320	56	3
	90	5
198431-47330	56	4
	90	6
198431-47340	56	6
	90	8
198431-47350	56	8
	90	10
198431-47390	56	13
	90	14
198431-47400	56	14
	90	15
198431-47420	56	15
	90	16
198431-47430	56	16
	90	17
198431-47470	56	19
	90	20
198431-47480	56	20
	90	21
198431-47520	56	23
	90	23
198431-47750	64	10
198431-47760	64	11
198431-47870	56	36
	90	36
198435-14700	30	15

PARTS No.	Fig.	Ref.No.
198435-14700	30	20
198435-15750	31	30
198435-16200	32	10
198435-16230	21	7
	31	33
	32	17
198435-24280	35	5
198435-24290	35	27
198435-25110	36	2
198435-25130	36	4
198435-25210	37	4
198435-25220	37	5
198435-25240	37	7
198435-25280	37	9
198435-25310	37	10
198435-25720	38	3
198435-25730	38	4
198435-25741	38	5
198435-25770	38	19
198435-25790	38	7
198435-25801	38	9
198435-25810	38	11
198435-26100	39	3
198435-26110	39	4
198435-26120	39	5
198435-26180	39	7
198435-26192	39	8
198435-26320	39	19
198435-27142	41	6
	87	6
198435-27151	41	7
	87	7
198435-27260	41	17
	87	17
198435-27551	40	13
	86	11
198435-27700	42	7
	88	7
198435-27721	42	8
	88	8
198435-27731	42	9
	88	9
198435-27740	42	10
	88	10
198435-27760	42	11
	88	11
198435-34720	47	12
		17
198435-34730	47	11
198435-34750	47	13

PARTS No.	Fig.	Ref.No.
198435-34750	47	18
198435-34830	47	16
198435-45201	54	1
198435-47310	56	2
	90	4
198435-47350	56	9
198435-47490	56	21
	90	22
198435-47530	56	25
	90	25
198435-47540	56	26
	90	26
198435-47550	56	27
	90	27
198435-47560	56	28
	90	28
198435-47580	56	29
	90	29
198435-47710	64	9
198435-65220	68	8
	93	7
198435-65230	68	10
	93	8
198435-65240	68	12
	93	9
198435-75100	71	32
198435-75110	71	34
198435-75200	71	35
198435-75210	71	40
198435-75220	71	41
198531-14720	74	2
		7
	80	2
		7
198531-14740	74	3
		8
	80	3
		8
198531-14750	74	4
		9
	80	4
		9
198531-34730	74	15
		20
	89	8
		13
1A1040-26320	41	2
	87	2
1A1040-36010	46	10
1A1040-36040	46	11

## PARTS No. INDEX

PARTS No.	Fig.	Ref.No.
1A6150-91251	69	6
	94	6
1A6150-93151	69	7
	94	7
1A6640-05510	20	3
1A6640-05560	20	4
1A6640-25210	54	2
1A6640-45230	54	8
1A6640-61450	62	22 -1
1A6640-61460	62	23 -1
1A6640-62180	64	14
1A6640-62310	64	16
1A6640-65510	68	20
	93	18
1A6640-65530	68	21
	93	19
1A6750-14700	30	1 -1
1A6750-14720	30	2 -1
		7 -1
1A6750-14800	30	6 -1
1A6750-37200	18	7 -1
	75	7
1A6750-61830	45	4 -1
1A6750-65360	68	5
1A6750-65590	68	22
	93	20
1A6770-65630	68	25
	93	23
1A6780-31500	43	2
1A6780-31520	43	4
1A6780-51410	58	4
1A7050-13230	23	7
1A7100-53100	60	4
1A7100-53130	60	5
1A7100-53140	60	6
1A7100-53220	73	20
		24
1A7100-53230	73	21
1A7100-53400	60	7
1A7100-53420	60	8
1A7100-57100	60	25
1A7100-57300	59	14
1A7100-64110	67	1
1A7720-27240	40	6 -1
	41	16 -1
	86	5
	87	16
1A7720-27810	42	13 -1
	88	14
1A7720-61810	62	18 -1

PARTS No.	Fig.	Ref.No.
1A7740-05330	20	6 -1
1A7740-05340	20	7 -1
1A7740-61500	92	4
1A7870-24980	35	36 -1
1C6053-32020	49	23
1C6140-14050	31	1
	49	1
1C6281-52320	42	22 -2
	49	18
	50	29
	75	15
	88	24 -1
1C6360-82210	62	24
1C6460-38240	63	1
		2
	92	1
		2
1C6560-06300	58	1
1C6560-13470	34	1
1C6650-35150	64	6
1C6650-37480	60	24 -1
1C6740-06250	59	21
1C6860-37160	64	7
1C6900-23120	25	11
	26	10
	79	11
1C6900-23150	25	12
	26	11
	79	12
1C7100-08150	60	25 -1
1E4070-14040	37	2
1E6102-84970	58	17
1E6140-56230	41	21
	87	22
1E6190-54080	26	12
	79	13
1E6190-54160	39	22
1E8665-05100	17	24
1T6961-10300	71	18
1T6964-18610	71	28
1T6964-18710	71	36
1T6964-18760	71	37
1T6964-18790	71	38
1TS100-01000	96	2
1W4473-20030	31	28
1W4905-70050	68	27
	93	25
719255-53100	14	1
719260-02870	1	31
719260-11650	4	35

PARTS No.	Fig.	Ref.No.
719260-11660	4	39
719260-11700	4	7
719260-21700	8	1
719260-23600	8	33
719260-23610	8	41
		73
719265-01560	1	2
719270-01560	1	1
719270-22501	8	19
719270-22541	8	37
719270-22820	8	35
719668-51700	12	1
719668-51701	12	1 -1
794130-71410	71	29
		31
		33
798163-05370	20	7
798163-05380	20	6
798163-11110	21	1
798163-61120	62	2
798163-61540	63	4
798163-61620	63	10
	92	10
798163-62320	64	17
798163-62670	65	12
798425-14700	30	1
798425-14830	30	6
798435-12800	30	11
798435-12900	30	16
798531-14710	74	1
	80	1
798531-14810	74	6
	80	6
7T6963-01100	71	2
7T6964-18300	71	10
7T6964-18400	71	17
7T6964-18600	71	27
X2114274200	15	2 A
X2114676180	15	2 C
X2114715500	15	2 B
X2114811000	15	2 D
X9490561001	16	3

PARTS No.	Fig.	Ref.No.
-----------	------	---------



***YANMAR CO., LTD.***